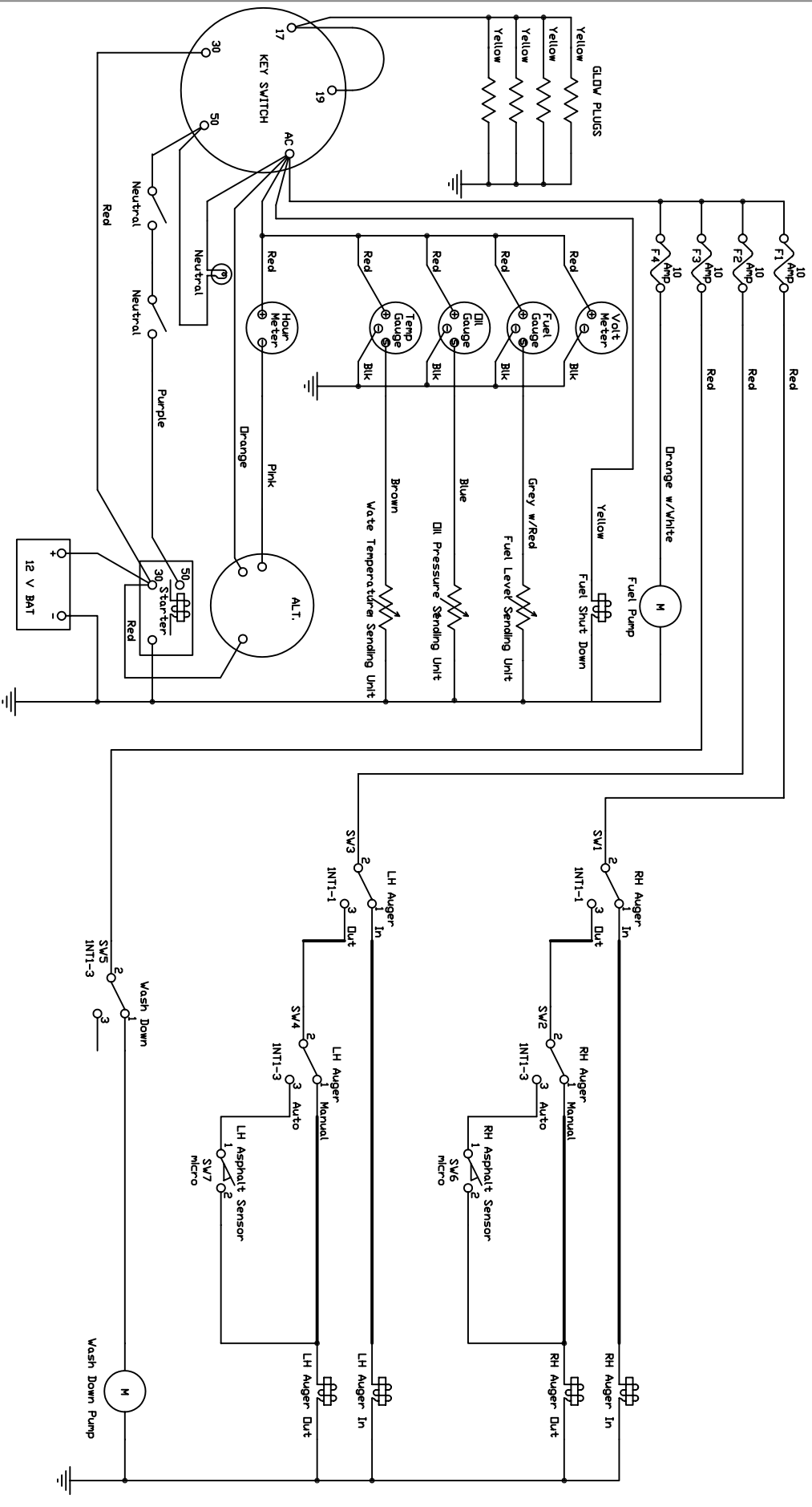


690F Electrical Schematic Without Gauge Package



VENDOR No. : NA	DRAWN: DMC	6/21/02	TITLE: 690F Electrical Schematic	REVISION NO: 0
VENDOR DATE: NA	EFFECTIVE IN SN: 6/21/02	6/21/02	DRAWING NO: EL 690F - 01	SHEET: 1 OF: 2
VENDOR TITLE: NA	EFFECTIVE OUT SN:			
VENDOR CAD_FILE: VM	CAD_FILE: EL_690F - 01.dwg	6/21/02		



690F Electrical Schematic With Gauge Package



VENDOR No. : NA	DRAWN: DMC	6/21/02	TITLE: 690F Electrical Schematic	REVISION NO: 0
VENDOR DATE: NA	EFFECTIVE IN SN: 6/21/02	6/21/02	DRAWING NO: EL 690F - 01	SHEET: 2 OF: 2
VENDOR TITLE: NA	EFFECTIVE OUT SN:			
VENDOR CAD_FILE: \M	CAD_FILE: EL_690F - 01.dwg	6/21/02		