

1750 C ELECTRICAL SYSTEM



MAULDIN®
PAVING PRODUCTS

* OPTIONAL EQUIPMENT

DRAWN:	DMC	08/30/01
EFFECTIVE IN SN:	031-B-75TJS7Y2-01031	04/17/02
EFFECTIVE OUT SN:		
CAD_FILE:	EL 1750 C - 07.dwg	08/30/01

TITLE:	ELECTRICAL SYSTEM	
DRAWING NO:	EL 1750 C - 07	
REVISION NO:	0	
SHEET:	1	OF: 1

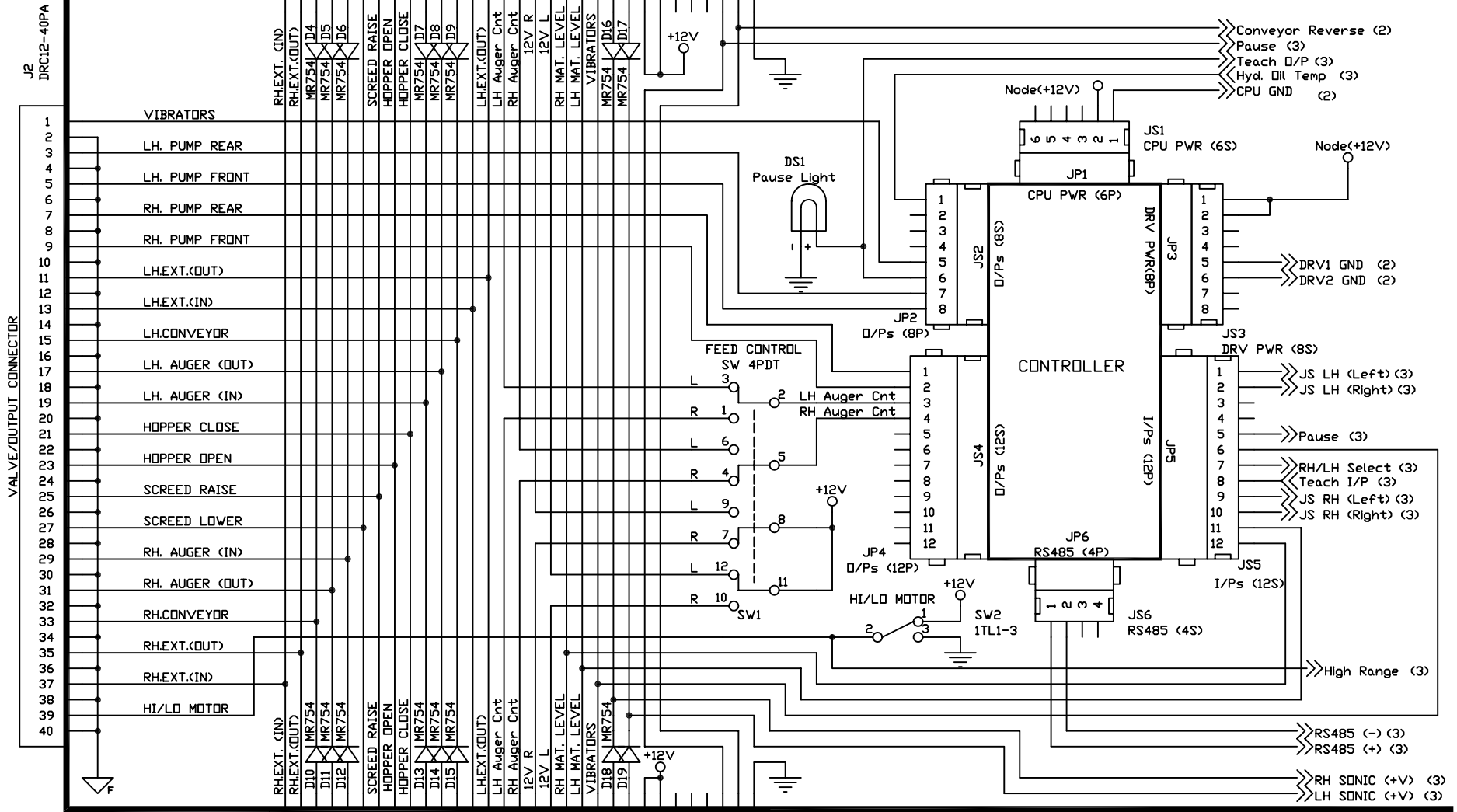
LEFT OPERATOR STATION

WT04B24-31PN

###

#

E T S R D b c e f J X V V H a N Q d G Y U C K F G A B L M P Z



VALVE/OUTPUT CONNECTOR

JP DRC12-40PA

- 1 VIBRATORS
- 2 LH. PUMP REAR
- 3 LH. PUMP FRONT
- 4 RH. PUMP REAR
- 5 RH. PUMP FRONT
- 6 LH.EXT.(OUT)
- 7 LH.EXT.(IN)
- 8 LH.CONVEYOR
- 9 LH. AUGER (OUT)
- 10 LH. AUGER (IN)
- 11 HOPPER CLOSE
- 12 HOPPER OPEN
- 13 SCREED RAISE
- 14 SCREED LOWER
- 15 RH. AUGER (IN)
- 16 RH. AUGER (OUT)
- 17 RH.CONVEYOR
- 18 RH.EXT.(OUT)
- 19 RH.EXT.(IN)
- 20 HI/LO MOTOR

WT04B24-31PN

RIGHT OPERATOR STATION

###

#

E T S R D b c e f J X V V H a N Q d G Y U C K F G A B L M P Z

NOTES:

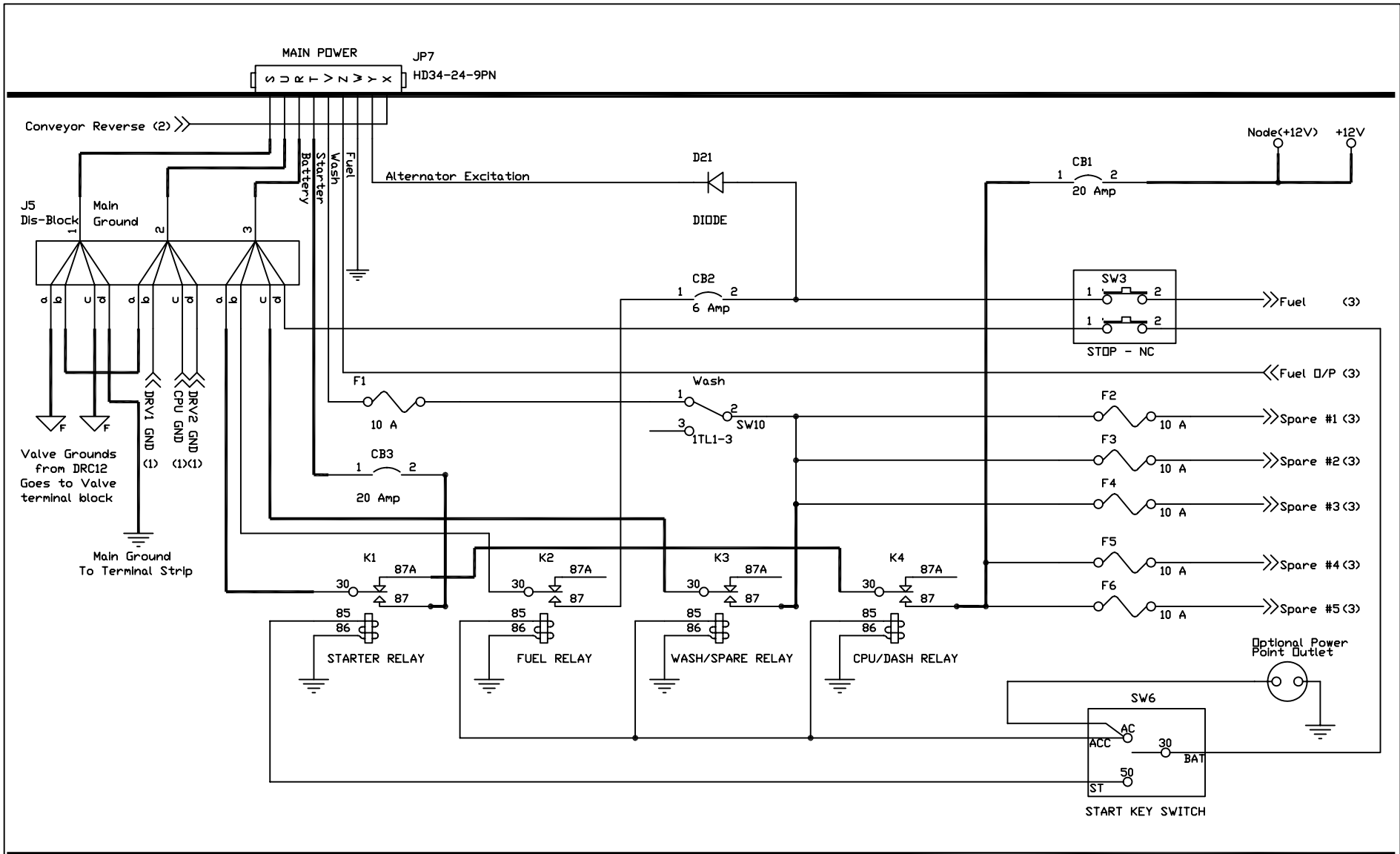
Gold plated contacts

VENDOR No. : MLMP1-4	DRAWN: DMC	8/31/01
VENDOR DATE: MAY 03, 2001	EFFECTIVE IN #: 545-A-75TJS7Y2-00545	03/03/00
VENDOR TITLE: MAIN CONTROL PANEL	EFFECTIVE OUT #:	
VENDOR CAD_FILE: MLMP1-4_SCHEMATIC_MAIN1.dxf	CAD_FILE: EL 1750 C - 02.dwg	8/31/01



MAULDIN
PAVING PRODUCTS

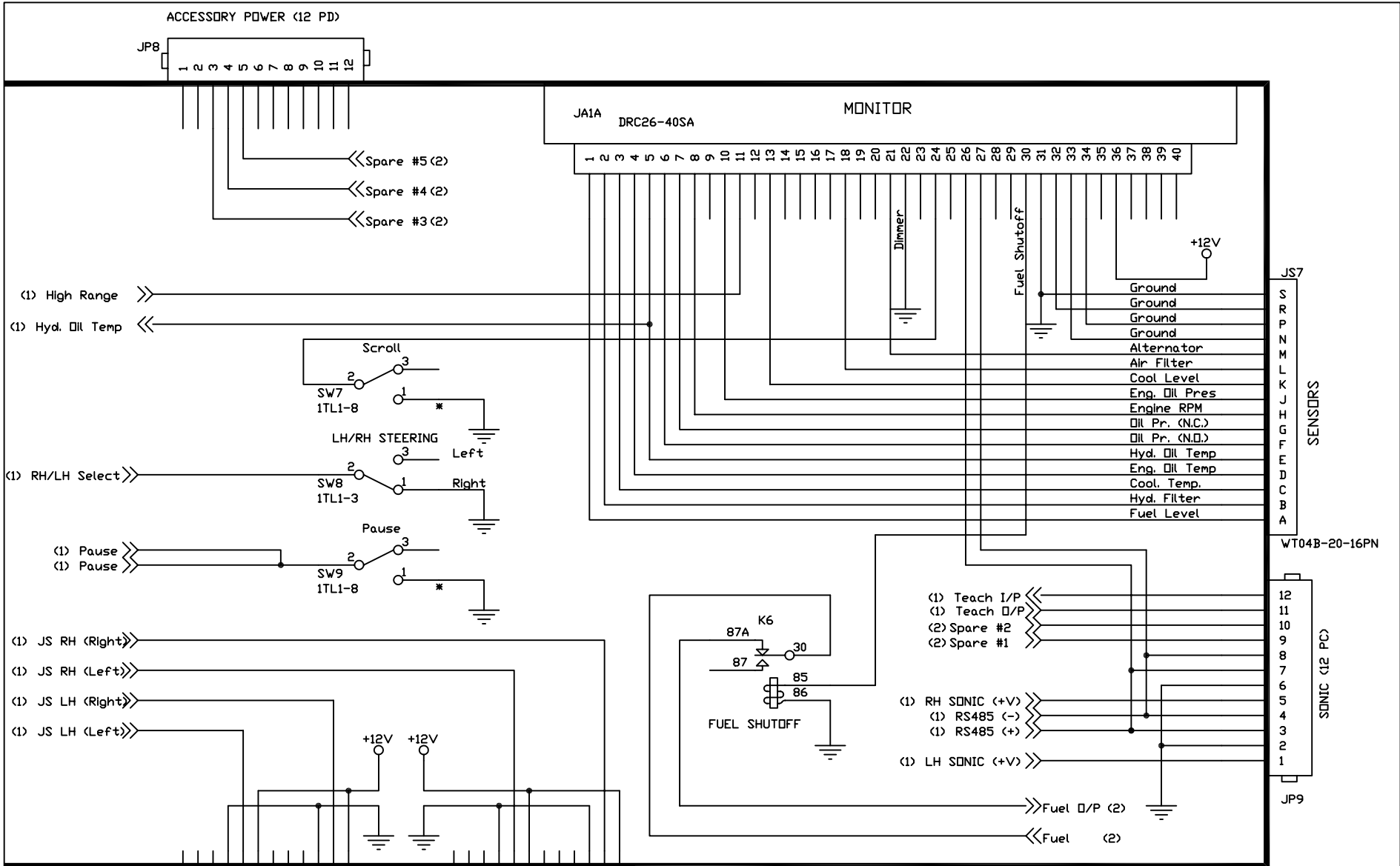
TITLE: 1750 C MAIN CONTROL PANEL	
DRAWING NO: EL 1750 C - 02	REVISION NO: 2.5M
	SHEET: 1 OF: 3



MAULDIN®
PAVING PRODUCTS

VENDOR No. : MLMP1-4	DRAWN: DMC	8/31/01
VENDOR DATE: MAY 03, 2001	EFFECTIVE IN #: 545-A-75TJS7Y2-00545	03/03/00
VENDOR TITLE: MAIN CONTROL PANEL	EFFECTIVE OUT #:	
VENDOR CAD_FILE: MLMP1-4_SCHEMATIC_MAIN2.dxf	CAD_FILE: EL 1750 C - 02.dwg	8/31/01

TITLE: 1750 C MAIN CONTROL PANEL	REVISION NO: 2.5M
DRAWING NO: EL 1750 C - 02	SHEET: 2 OF: 3



NOTES:

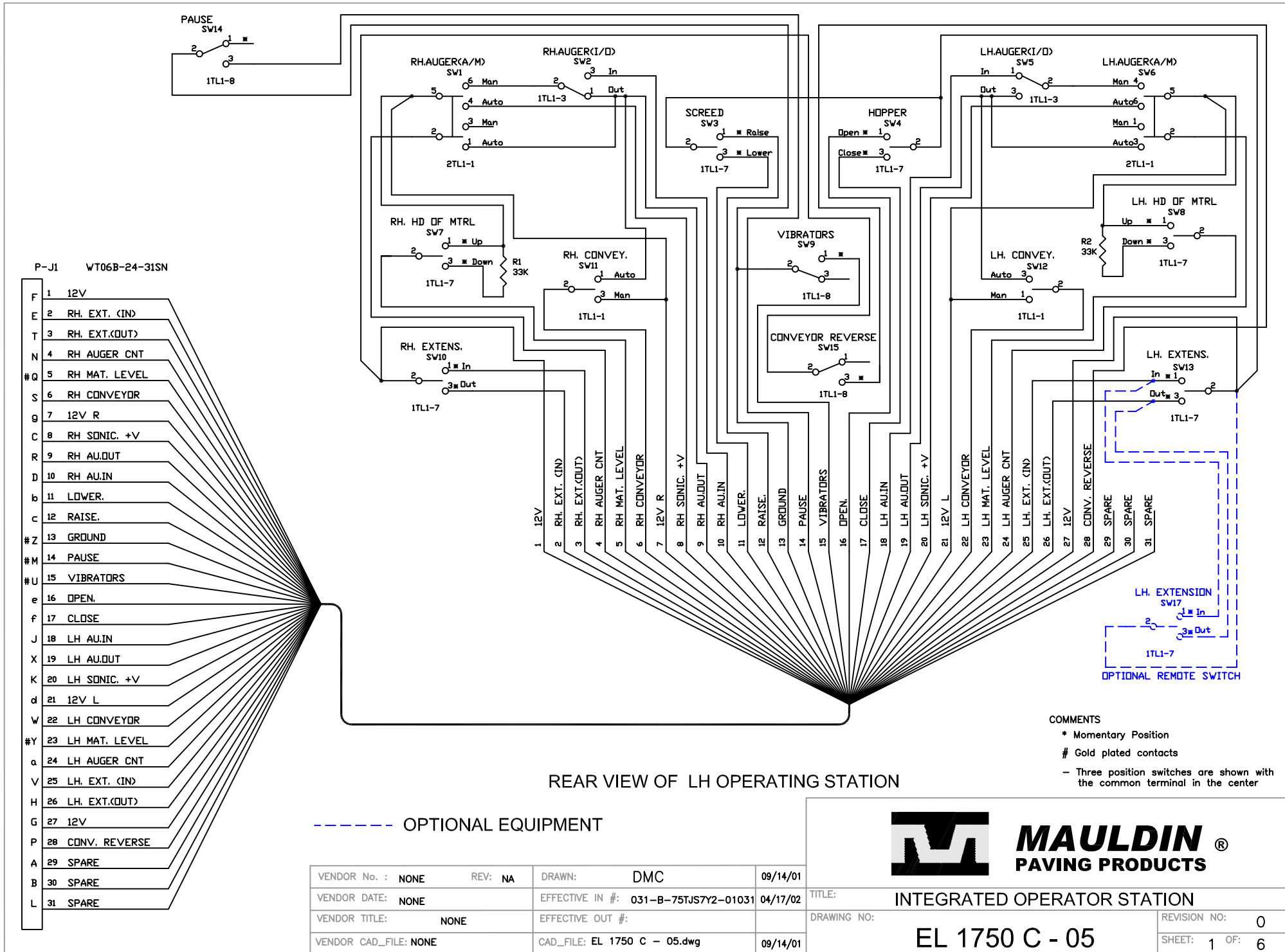
* Momentary Switch

VENDOR No. : MLMP1-4	DRAWN: DMC	8/31/01
VENDOR DATE: MAY 03, 2001	EFFECTIVE IN #: 545-A-75TJSY2-00545	03/03/00
VENDOR TITLE: MAIN CONTROL PANEL	EFFECTIVE OUT #:	
VENDOR CAD_FILE: MLMP1-4_SCHEMATIC_MAIN3.dxf	CAD_FILE: EL 1750 C - 02.dwg	8/31/01



MAULDIN[®]
PAVING PRODUCTS

TITLE: 1750 C MAIN CONTROL PANEL	REVISION NO: 2.5M
DRAWING NO: EL 1750 C - 02	SHEET: 3 OF: 3



P-J1 WT06B-24-31SN

- F 1 12V
- E 2 RH. EXT. (IN)
- T 3 RH. EXT.(OUT)
- N 4 RH AUGER CNT
- #Q 5 RH MAT. LEVEL
- S 6 RH CONVEYOR
- g 7 12V R
- C 8 RH SONIC. +V
- R 9 RH AU.OUT
- D 10 RH AU.IN
- b 11 LOWER.
- c 12 RAISE.
- #Z 13 GROUND
- #M 14 PAUSE
- #U 15 VIBRATORS
- e 16 OPEN.
- f 17 CLOSE
- J 18 LH AU.IN
- X 19 LH AU.OUT
- K 20 LH SONIC. +V
- d 21 12V L
- W 22 LH CONVEYOR
- #Y 23 LH MAT. LEVEL
- a 24 LH AUGER CNT
- V 25 LH. EXT. (IN)
- H 26 LH. EXT.(OUT)
- G 27 12V
- P 28 CONV. REVERSE
- A 29 SPARE
- B 30 SPARE
- L 31 SPARE

REAR VIEW OF LH OPERATING STATION

----- OPTIONAL EQUIPMENT

COMMENTS
 * Momentary Position
 # Gold plated contacts
 - Three position switches are shown with the common terminal in the center

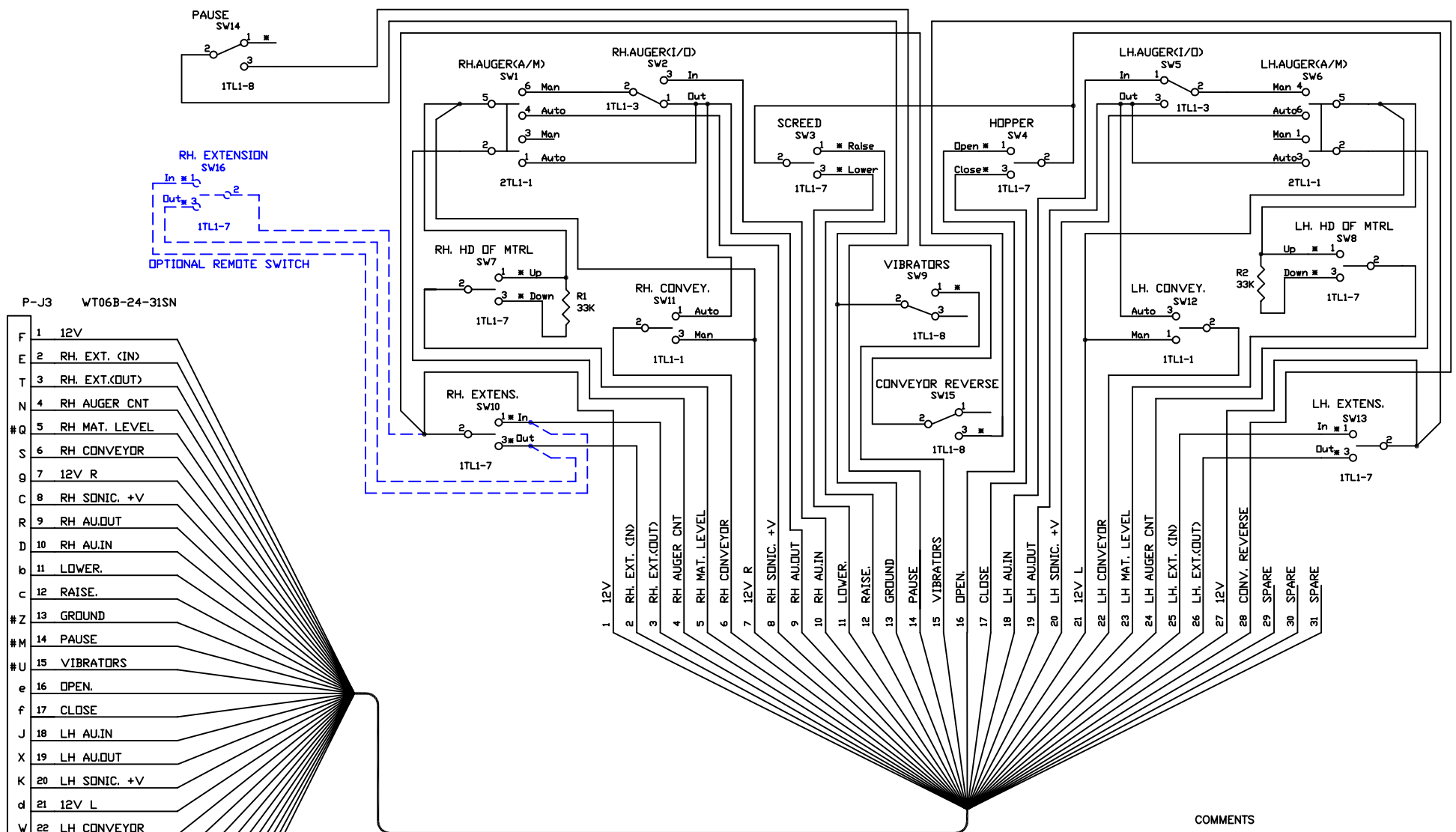
VENDOR No. :	NONE	REV:	NA	DRAWN:	DMC	09/14/01
VENDOR DATE:	NONE	EFFECTIVE IN #:	031-B-75TJS7Y2-01031	04/17/02	TITLE:	
VENDOR TITLE:	NONE	EFFECTIVE OUT #:		DRAWING NO:		
VENDOR CAD_FILE:	NONE	CAD_FILE:	EL 1750 C - 05.dwg	09/14/01	REVISION NO: 0	



INTEGRATED OPERATOR STATION

EL 1750 C - 05

SHEET: 1 OF: 6



REAR VIEW OF RH. OPERATING STATION

COMMENTS
 * Momentary Position
 # Gold plated contacts
 - Three position switches are shown with the common terminal in the center

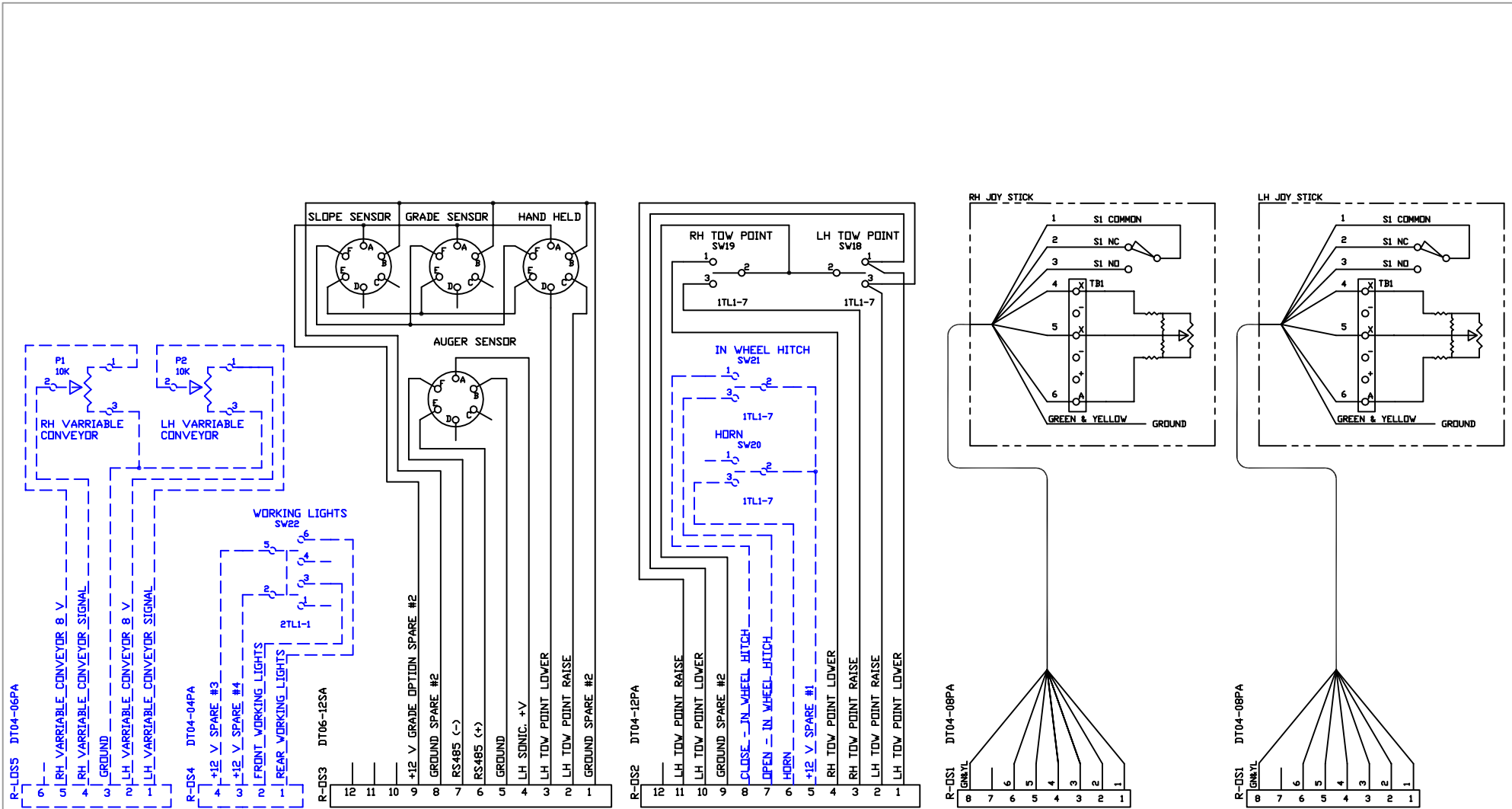
--- OPTIONAL EQUIPMENT

- P-J3 WT06B-24-31SN
- F 1 12V
 - E 2 RH. EXT. (IN)
 - T 3 RH. EXT.(OUT)
 - N 4 RH AUGER CNT
 - #Q 5 RH MAT. LEVEL
 - S 6 RH CONVEYOR
 - g 7 12V R
 - C 8 RH SONIC. +V
 - R 9 RH AU.OUT
 - D 10 RH AU.IN
 - b 11 LOWER.
 - c 12 RAISE.
 - #Z 13 GROUND
 - #M 14 PAUSE
 - #U 15 VIBRATORS
 - e 16 OPEN.
 - f 17 CLOSE
 - J 18 LH AU.IN
 - X 19 LH AU.OUT
 - K 20 LH SONIC. +V
 - d 21 12V L
 - W 22 LH CONVEYOR
 - #Y 23 LH MAT. LEVEL
 - a 24 LH AUGER CNT
 - V 25 LH. EXT. (IN)
 - H 26 LH. EXT.(OUT)
 - G 27 12V
 - P 28 CONV. REVERSE
 - A 29 SPARE
 - B 30 SPARE
 - L 31 SPARE

VENDOR No. :	NONE	REV: NA	DRAWN: DMC	09/14/01
VENDOR DATE:	NONE	EFFECTIVE IN #:	031-B-75TJS7Y2-01031	04/17/02
VENDOR TITLE:	NONE	EFFECTIVE OUT #:		
VENDOR CAD_FILE:	NONE	CAD_FILE:	EL 1750 C - 05.dwg	09/14/01

MAULDIN®
 PAVING PRODUCTS

TITLE: INTEGRATED OPERATOR STATION	
DRAWING NO: EL 1750 C - 05	REVISION NO: 0
	SHEET: 2 OF: 6



LEFT OPERATING STATION

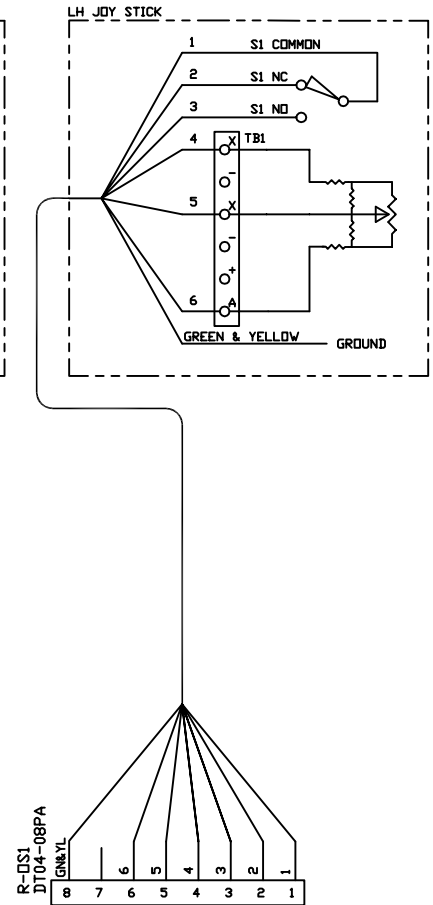
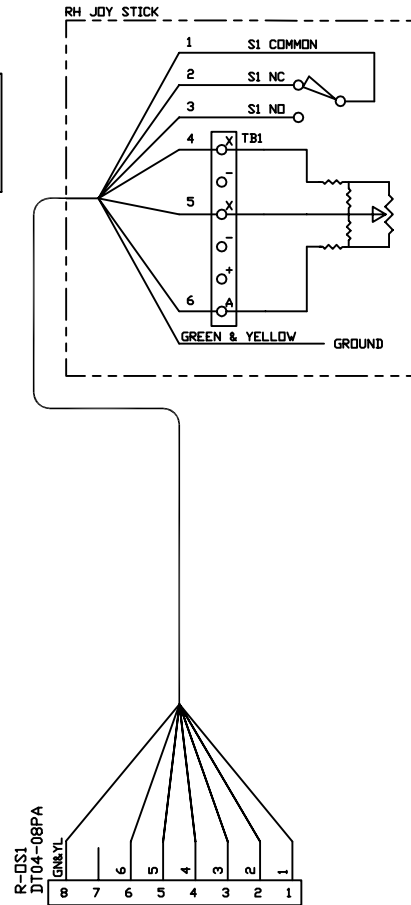
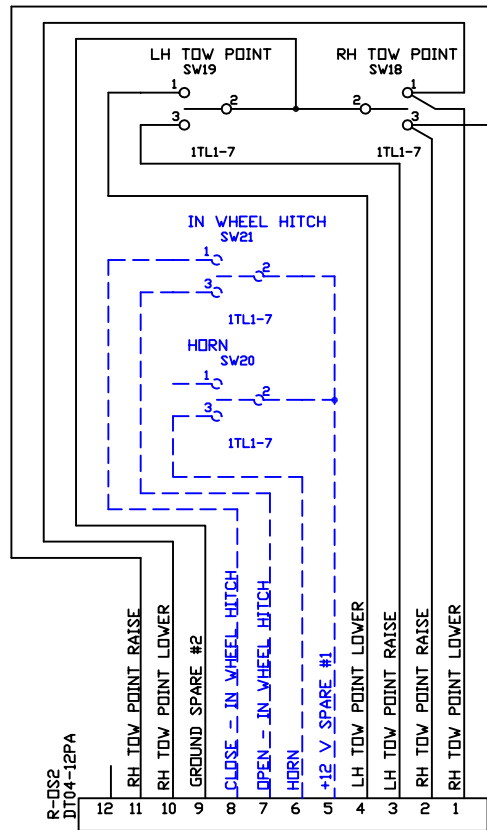
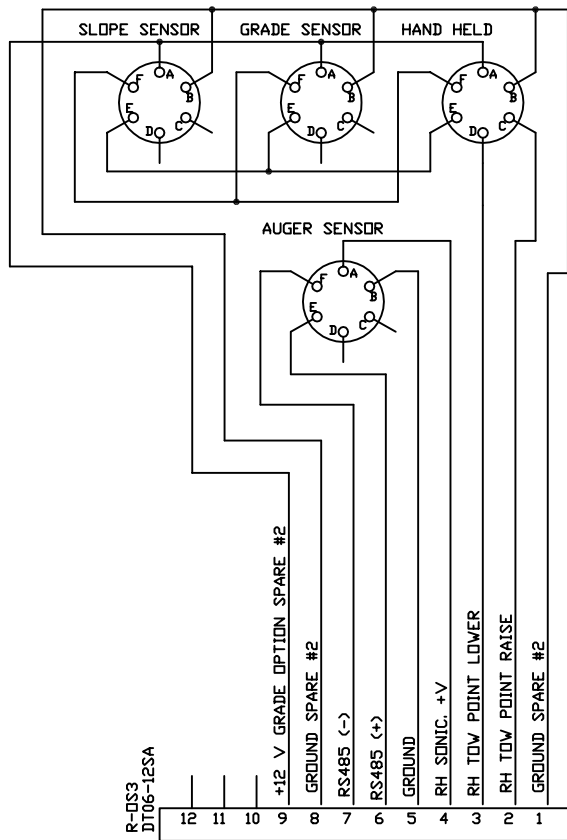
--- OPTIONAL EQUIPMENT

VENDOR No. :	NONE	REV:	NA	DRAWN:	DMC	09/14/01
VENDOR DATE:	NONE	EFFECTIVE IN #:	031-B-75TJS7Y2-01031	04/17/02		
VENDOR TITLE:	NONE	EFFECTIVE OUT #:				
VENDOR CAD_FILE:	NONE	CAD_FILE:	EL 1750 C - 05.dwg	09/14/01		



MAULDIN[®]
PAVING PRODUCTS


TITLE:		INTEGRATED OPERATOR STATION	
DRAWING NO:		EL 1750 C - 05	
REVISION NO:		0	
SHEET:		3 OF 6	



RIGHT OPERATING STATION

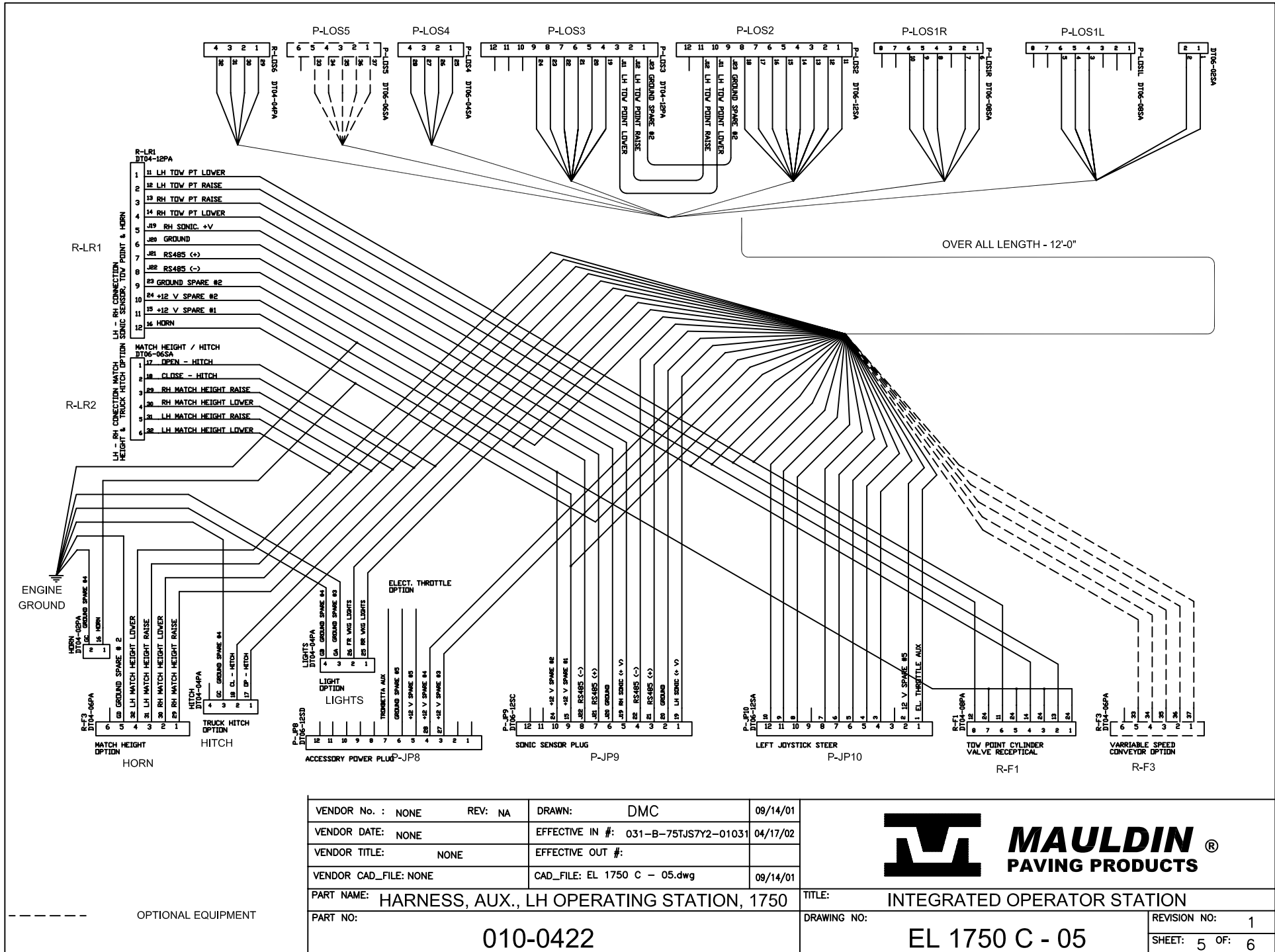
--- OPTIONAL EQUIPMENT

VENDOR No. : NONE	REV: NA	DRAWN: DMC	09/14/01
VENDOR DATE: NONE	EFFECTIVE IN #: 031-B-75TJS7Y2-01031	04/17/02	
VENDOR TITLE: NONE	EFFECTIVE OUT #:		
VENDOR CAD_FILE: NONE	CAD_FILE: EL 1750 C - 05.dwg	09/14/01	



MAULDIN®
PAVING PRODUCTS

TITLE: INTEGRATED OPERATOR STATION	
DRAWING NO: EL 1750 C - 05	REVISION NO: 0
	SHEET: 4 OF: 6

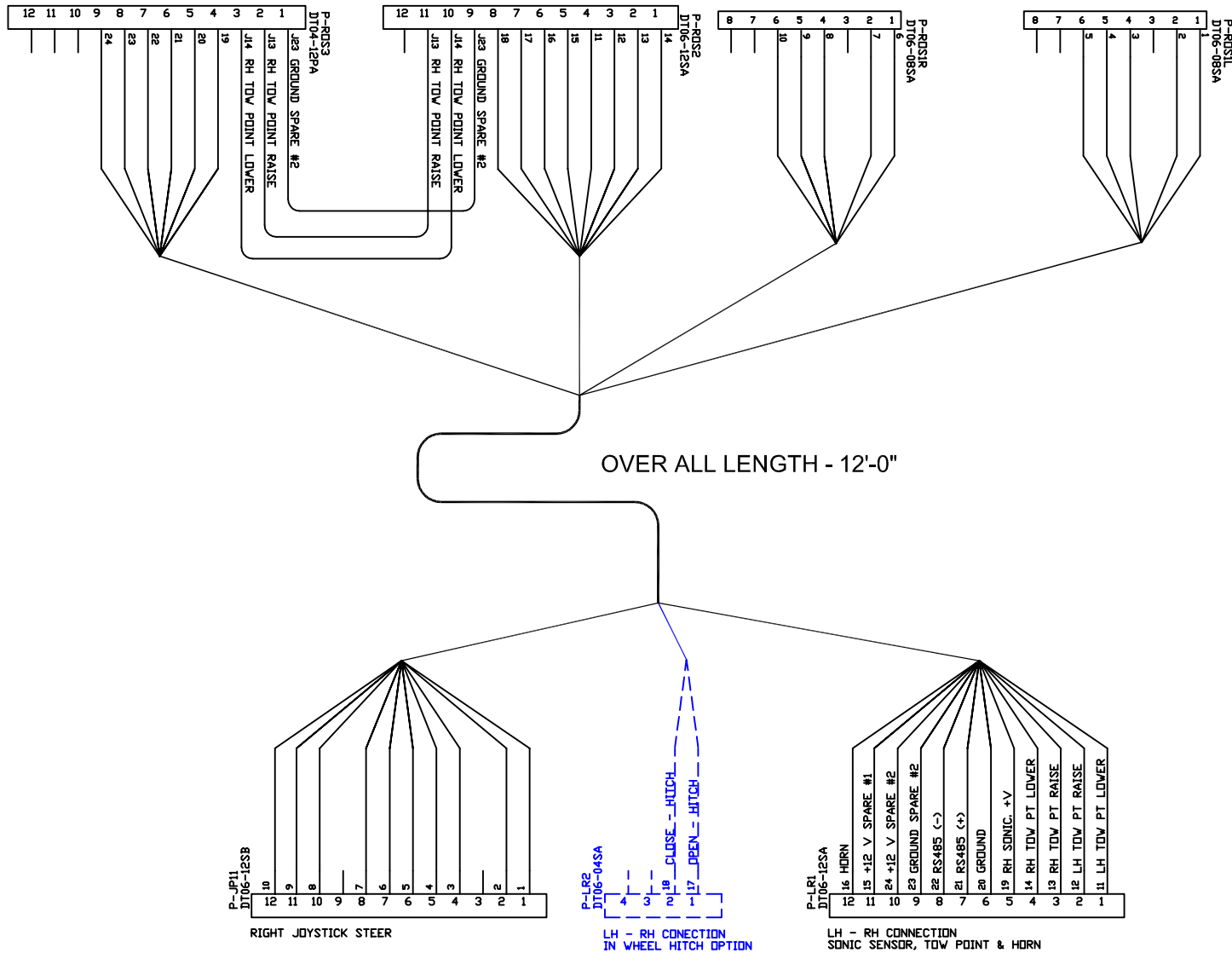


VENDOR No. : NONE	REV: NA	DRAWN: DMC	09/14/01
VENDOR DATE: NONE		EFFECTIVE IN #: 031-B-75TJS7Y2-01031	04/17/02
VENDOR TITLE: NONE		EFFECTIVE OUT #:	
VENDOR CAD_FILE: NONE		CAD_FILE: EL 1750 C - 05.dwg	09/14/01
PART NAME: HARNESS, AUX., LH OPERATING STATION, 1750			TITLE: INTEGRATED OPERATOR STATION
PART NO: 010-0422			DRAWING NO: EL 1750 C - 05
			REVISION NO: 1
			SHEET: 5 OF: 6



OPTIONAL EQUIPMENT

WIRES BUNDLED TO ONE LEAD PER CONNECTOR. EACH LEAD 6" LONG FROM CABLE TO CONNECTOR, THIS END



WIRES BUNDLED TO ONE LEAD PER CONNECTOR. EACH LEAD 8" LONG FROM CABLE TO CONNECTOR, THIS END

VENDOR No. : NONE	REV: NA	DRAWN: DMC	09/14/01
VENDOR DATE: NONE	EFFECTIVE IN #:	031-B-75TJS7Y2-01031	04/17/02
VENDOR TITLE: NONE	EFFECTIVE OUT #:		
VENDOR CAD_FILE: NONE	CAD_FILE: EL 1750 C - 05.dwg		09/14/01
PART NAME: HARNESS, AUX., RH OPERATING STATION, 1750	TITLE: INTEGRATED OPERATOR STATION		
PART NO: 010-0423	DRAWING NO: EL 1750 C - 05		
	REVISION NO: 0		
	SHEET: 6 OF: 6		



----- OPTIONAL EQUIPMENT