

* OPTIONAL EQUIPMENT

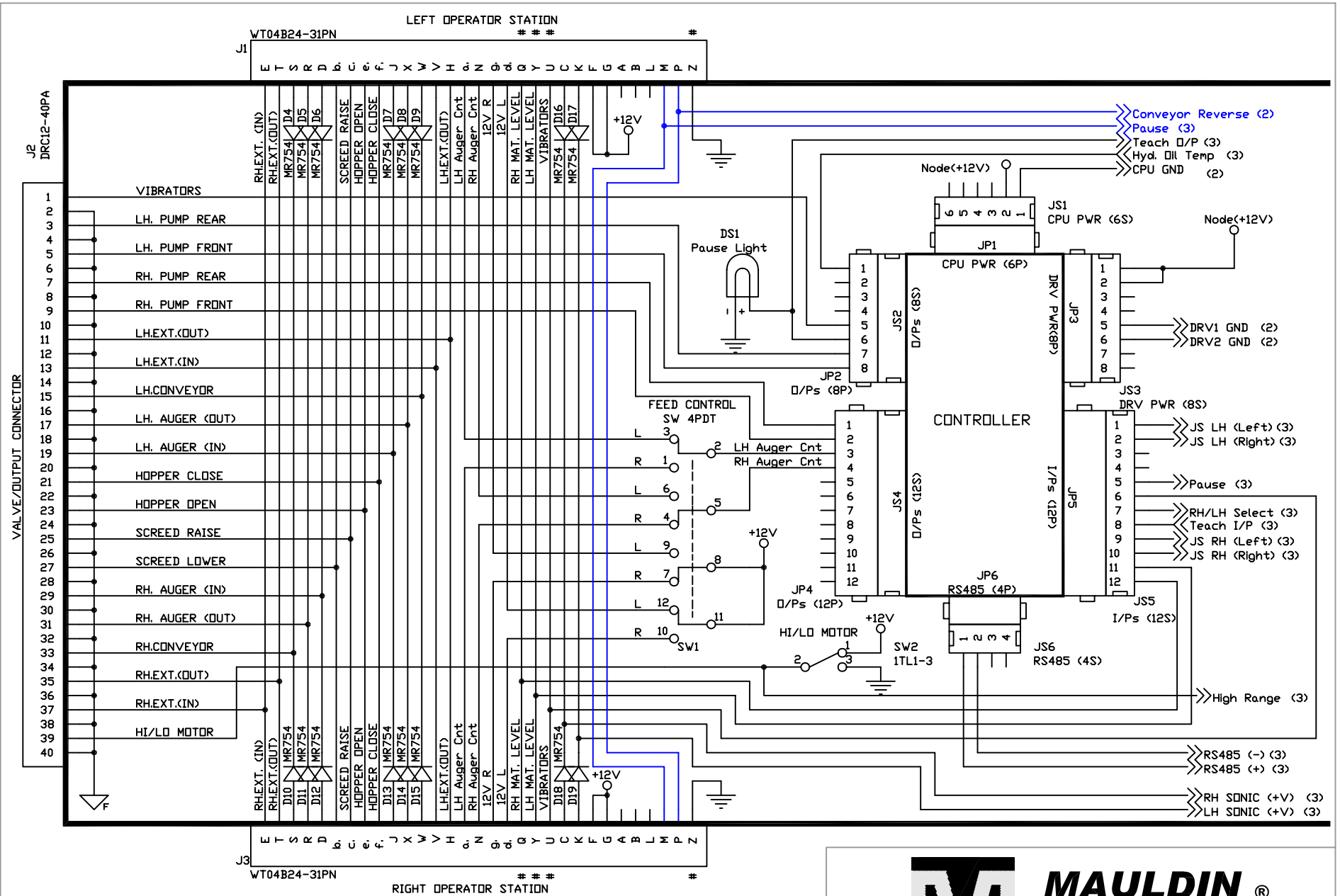
1750 C ELECTRICAL SYSTEM



MAULDIN
Paving Products

DRAWN:	DMC	08/30/01
EFFECTIVE IN #:	545-A-75TJS7Y2-00545	03/03/00
EFFECTIVE OUT #:	998-B-75TJS7Y2-00998	02/27/02
CAD_FILE:	EL 1750 C - 01.dwg	08/30/01

TITLE:	ELECTRICAL SYSTEM	
DRAWING NO:	EL 1750 C - 01	REVISION NO: 0
		SHEET: 1 OF: 1

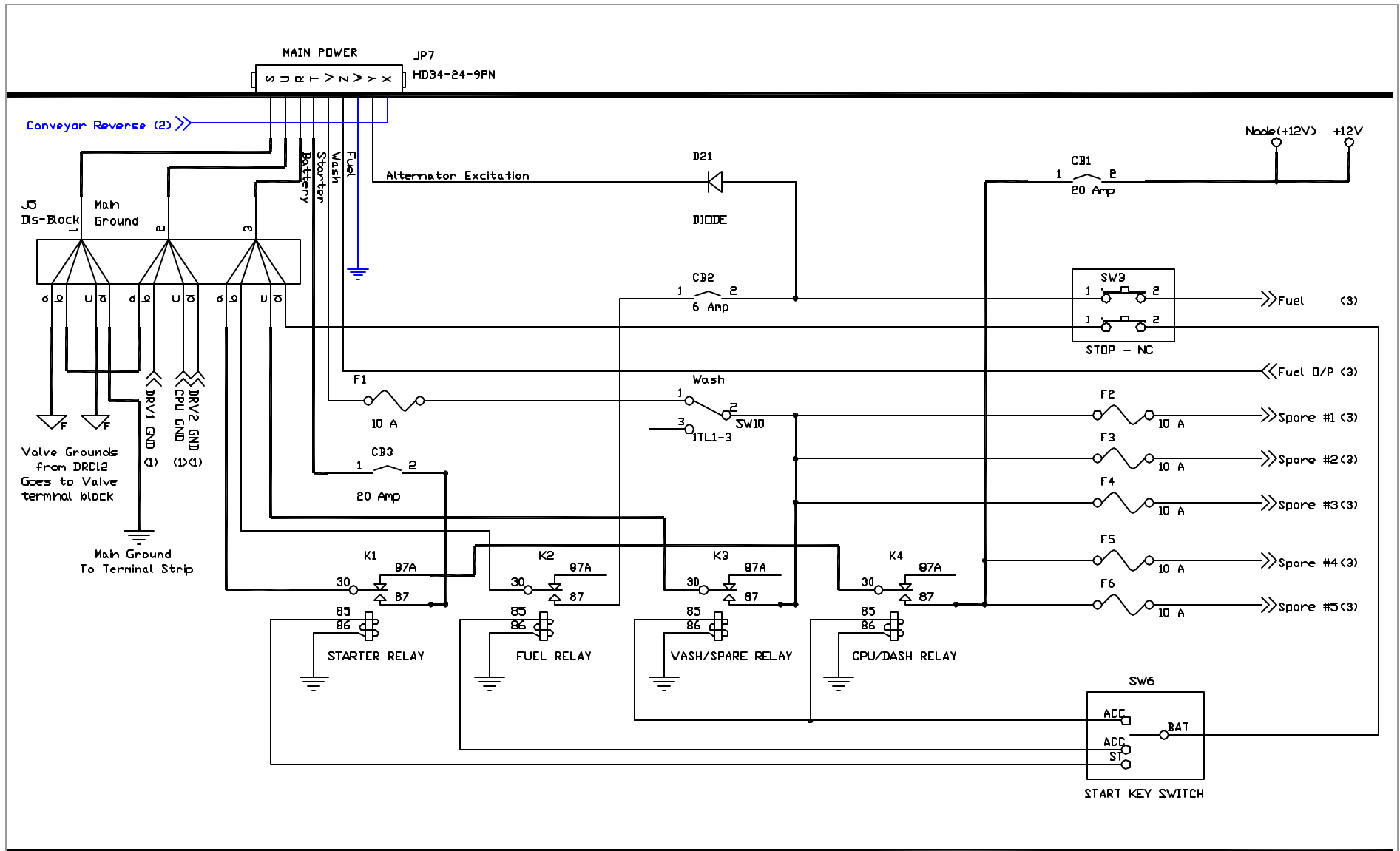


NOTES:
 # Gold plated contacts

VENDOR No. :	MLMP1-4	DRAWN:	DMC	8/31/01
VENDOR DATE:	MAY 03, 2001	EFFECTIVE IN #:	545-A-75TJS7Y2-00545	03/03/00
VENDOR TITLE:	MAIN CONTROL PANEL	EFFECTIVE OUT #:		
VENDOR CAD_FILE:	MLMP1-4_SCHEMATIC_MAIN1.dxf	CAD_FILE:	EL 1750 C - 02.dwg	8/31/01



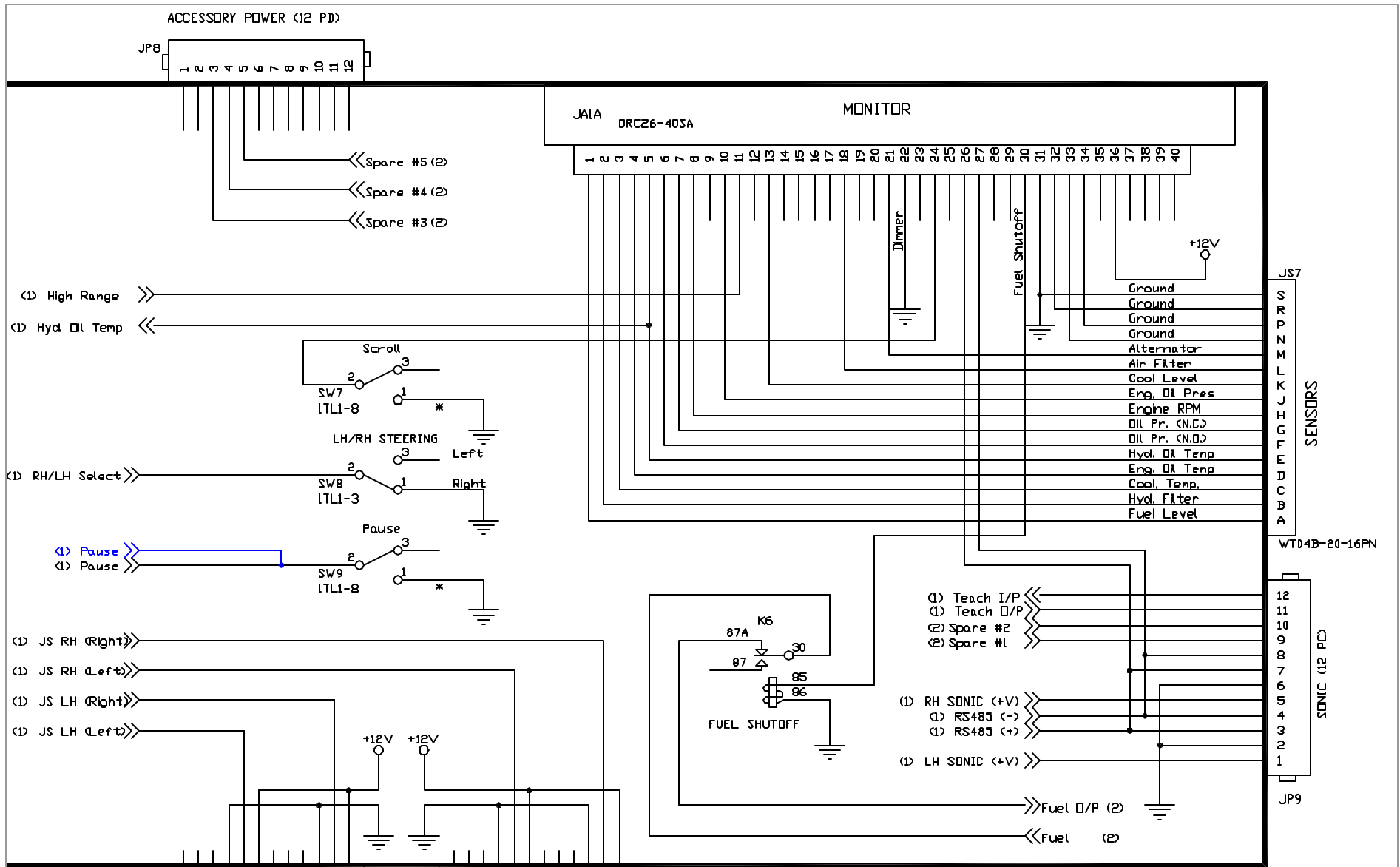
TITLE:		1750 C MAIN CONTROL PANEL	
DRAWING NO:		EL 1750 C - 02	
REVISION NO:		2.5M	
SHEET:		1 OF 3	



MAULDIN®
PAVING PRODUCTS

VENDOR No. : NLMP1-4	DRAWN: DMC	8/31/01
VENDOR DATE: MAY 03, 2001	EFFECTIVE IN #: 545-A-75TJS7Y2-00545	03/03/00
VENDOR TITLE: MAIN CONTROL PANEL	EFFECTIVE OUT #:	
VENDOR CAD_FILE: NLMP1-4 SCHEMATIC MAIN2.dwg	CAD_FILE: EL 1750 C - 02.dwg	8/31/01

TITLE: 1750 C MAIN CONTROL PANEL	REVISION NO: 2.5M
DRAWING NO: EL 1750 C - 02	SHEET: 2 OF 3



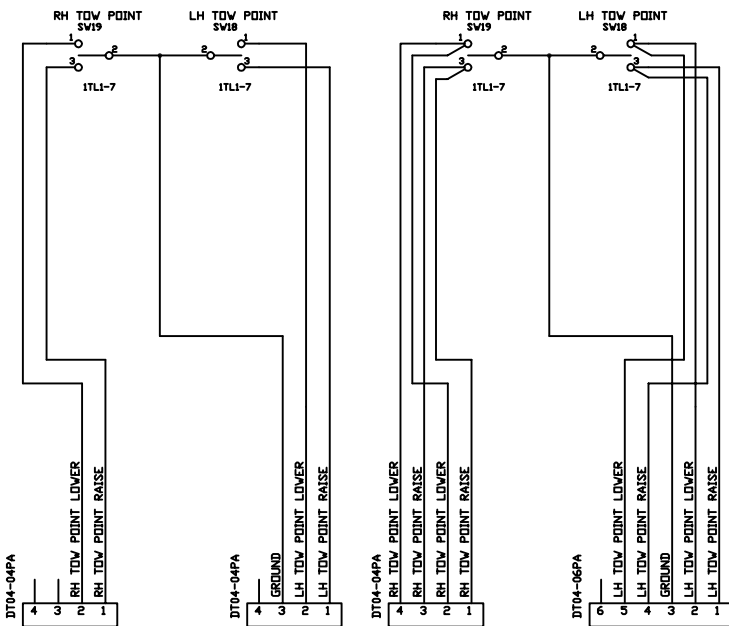
NOTES:
 * Momentary Switch

VENDOR No. :	NLMF1-4	DRAWN:	DMC	8/31/01
VENDOR DATE:	MAY 03, 2001	EFFECTIVE IN #:	545-A-75TJS7Y2-00545	03/03/00
VENDOR TITLE:	MAIN CONTRL PANEL	EFFECTIVE OUT #:		
VENDOR CAD_FILE:	NLMF1-4 SCHEMATIC MAIN3.dxf	CAD_FILE:	EL 1750 C - 02.dwg	8/31/01

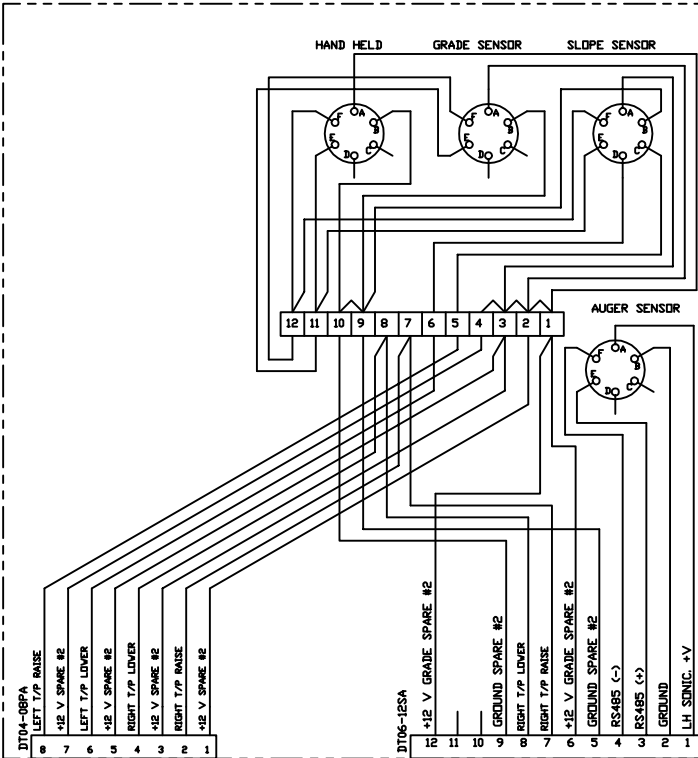


MAULDIN[®]
 PAVING PRODUCTS

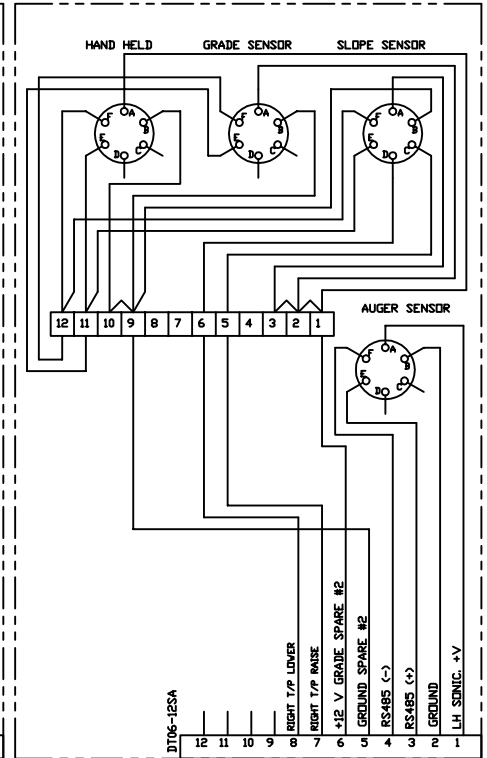
TITLE:	1750 C MAIN CONTROL PANEL	
DRAWING NO:	EL 1750 C - 02	REVISION NO: 2.5M
		SHEET: 3 OF 3



LEFT HAND SENSOR CONNECTION ENCLOSURE



RIGHT HAND SENSOR CONNECTION ENCLOSURE



TOW POINT & SENSOR JUNCTION BOXES AND MANUAL TOW POINT SWITCHES



MAULDIN®
Paving Products

VENDOR No. : NONE	REV: NA	DRAWN: DMC	12/03/01
VENDOR DATE: NONE	EFFECTIVE IN #: 545-A-75TJS7Y2-00545	03/03/00	
VENDOR TITLE: NONE	EFFECTIVE OUT #: 998-B-75TJS7Y2-00998	02/27/02	
VENDOR CAD_FILE: NONE	CAD_FILE: EL 1750 C - 04.dwg	12/03/01	

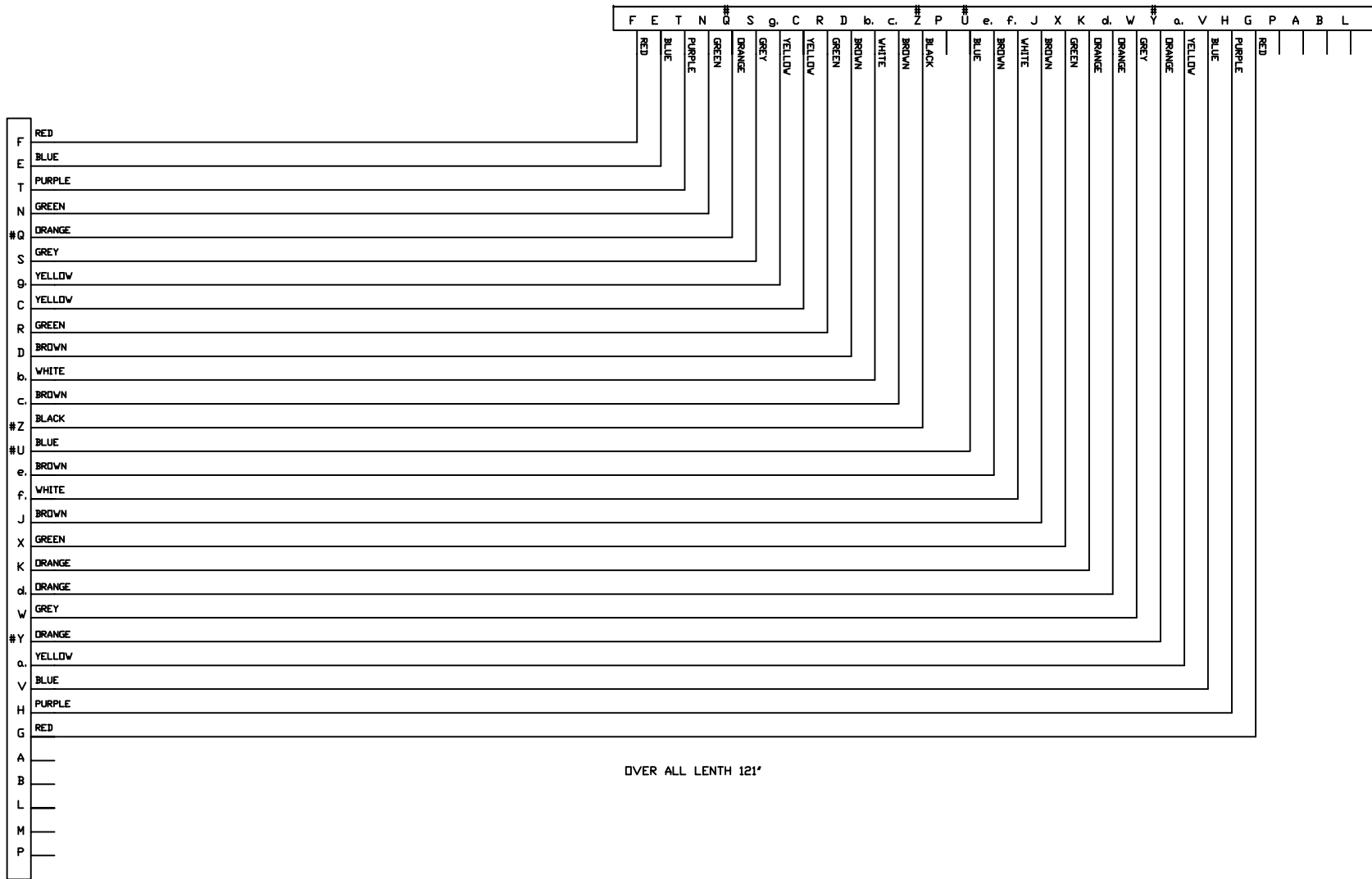
TITLE: WIRING HARNESSSES

DRAWING NO:

EL 1750 C - 04

REVISION NO: 0

SHEET: 1 OF: 5



OVER ALL LENTH 121'

OPERATOR STATION HARNESS (LEFT AND RIGHT)

COMMENTS

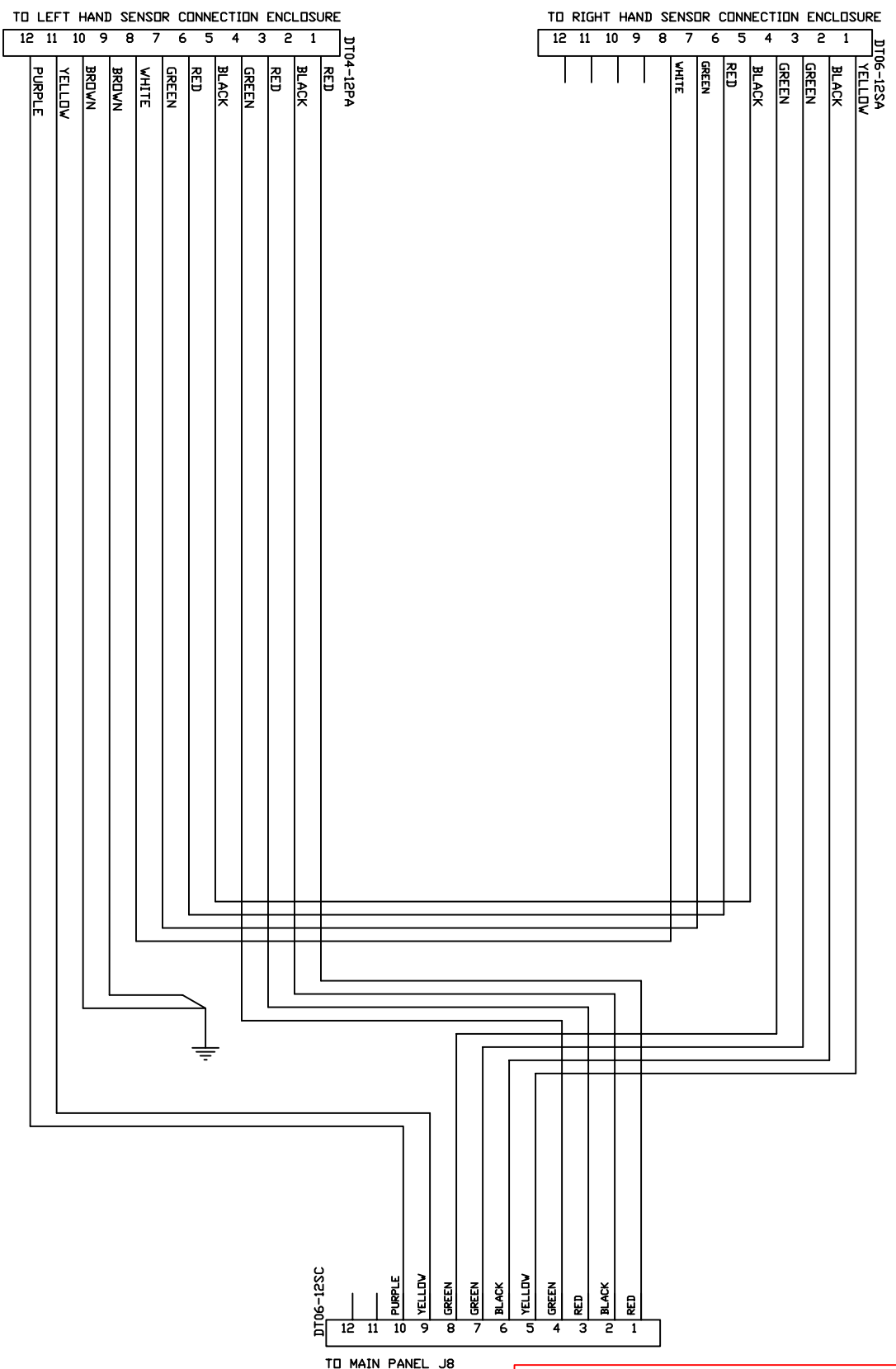
- * Momentary Position
- # Gold plated contacts
- Sealing plugs for pin A, B, L, M and P.
- Three position switches are shown with the common terminal in the center.

VENDOR No. : NONE	REV: NA	DRAWN: DMC	12/03/01
VENDOR DATE: NONE		EFFECTIVE IN #: 545-A-75TJS7Y2-00545	03/03/00
VENDOR TITLE: NONE		EFFECTIVE OUT #: 998-B-75TJS7Y2-00998	02/27/02
VENDOR CAD_FILE: NONE		CAD_FILE: EL 1750 C - 04.dwg	12/03/01



MAULDIN®
Paving Products

TITLE: WIRING HARNESSES	REVISION NO: 0
DRAWING NO: EL 1750 C - 04	SHEET: 2 OF: 5



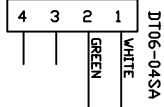
SONIC SENSOR HARNESS



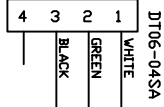
MAULDIN®
Paving Products

VENDOR No. : NONE	REV: NA	DRAWN: DMC	12/03/01	TITLE: WIRING HARNESSES
VENDOR DATE: NONE	EFFECTIVE IN #: 545-A-75TJS7Y2-00545	03/03/00	DRAWING NO:	
VENDOR TITLE: NONE	EFFECTIVE OUT #: 998-B-75TJS7Y2-00998	02/27/02	EL 1750 C - 04	REVISION NO: 0
VENDOR CAD_FILE: NONE	CAD_FILE: EL 1750 C - 04.dwg	12/03/01		SHEET: 3 OF: 5

TO RH T/P SWITCH
IN RH OPERATOR STN.



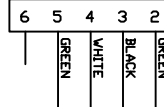
TO LH T/P SWITCH
IN RH OPERATOR STN.



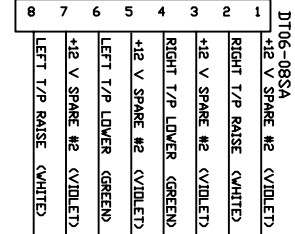
TO RH T/P SWITCH
IN LH OPERATOR STN.



TO LH T/P SWITCH
IN LH OPERATOR STN.



TO TOW POINT CYLINDER VALVE
RECEPTICAL ON LH SENSOR ENCLOSURE



LH TOW POINT RAISE

LH TOW POINT LOWER

RH TOW POINT LOWER

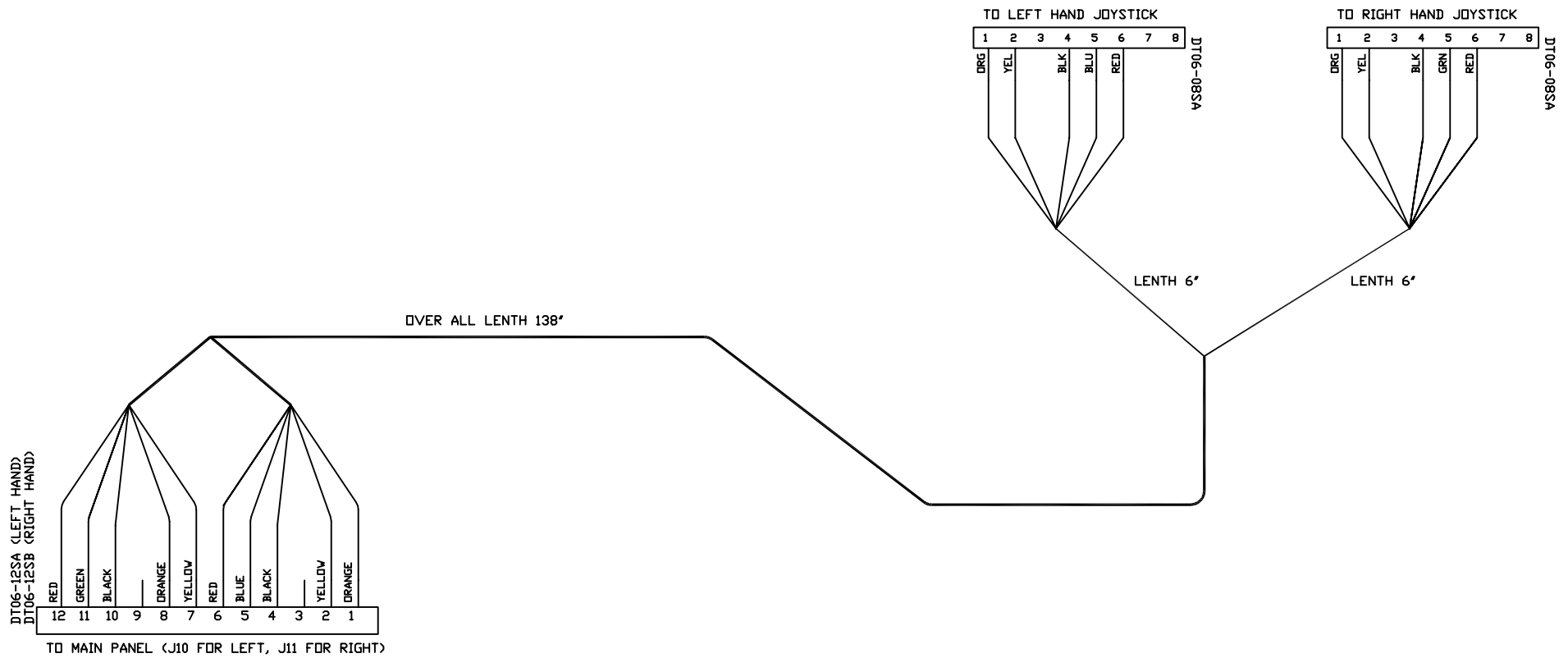
RH TOW POINT RAISE



MAULDIN®
Paving Products

VENDOR No. : NONE	REV: NA	DRAWN: DMC	12/03/01
VENDOR DATE: NONE	EFFECTIVE IN #: 545-A-75TJS7Y2-00545	03/03/00	
VENDOR TITLE: NONE	EFFECTIVE OUT #: 998-B-75TJS7Y2-00998	02/27/02	
VENDOR CAD_FILE: NONE	CAD_FILE: EL 1750 C - 04.dwg	12/03/01	

TITLE: WIRING HARNESSSES	REVISION NO: 0
DRAWING NO: EL 1750 C - 04	SHEET: 4 OF: 5



STEERING HARNESS LEFT & RIGHT HAND



MAULDIN®
Paving Products

VENDOR No. : NONE	REV: NA	DRAWN: DMC	12/03/01
VENDOR DATE: NONE	EFFECTIVE IN #: 545-A-75TJS7Y2-00545	03/03/00	
VENDOR TITLE: NONE	EFFECTIVE OUT #: 998-B-75TJS7Y2-00998	02/27/02	
VENDOR CAD_FILE: NONE	CAD_FILE: EL 1750 C - 04.dwg	12/03/01	

TITLE: WIRING HARNESSES

DRAWING NO:

EL 1750 C - 04

REVISION NO: 0

SHEET: 5 OF: 5