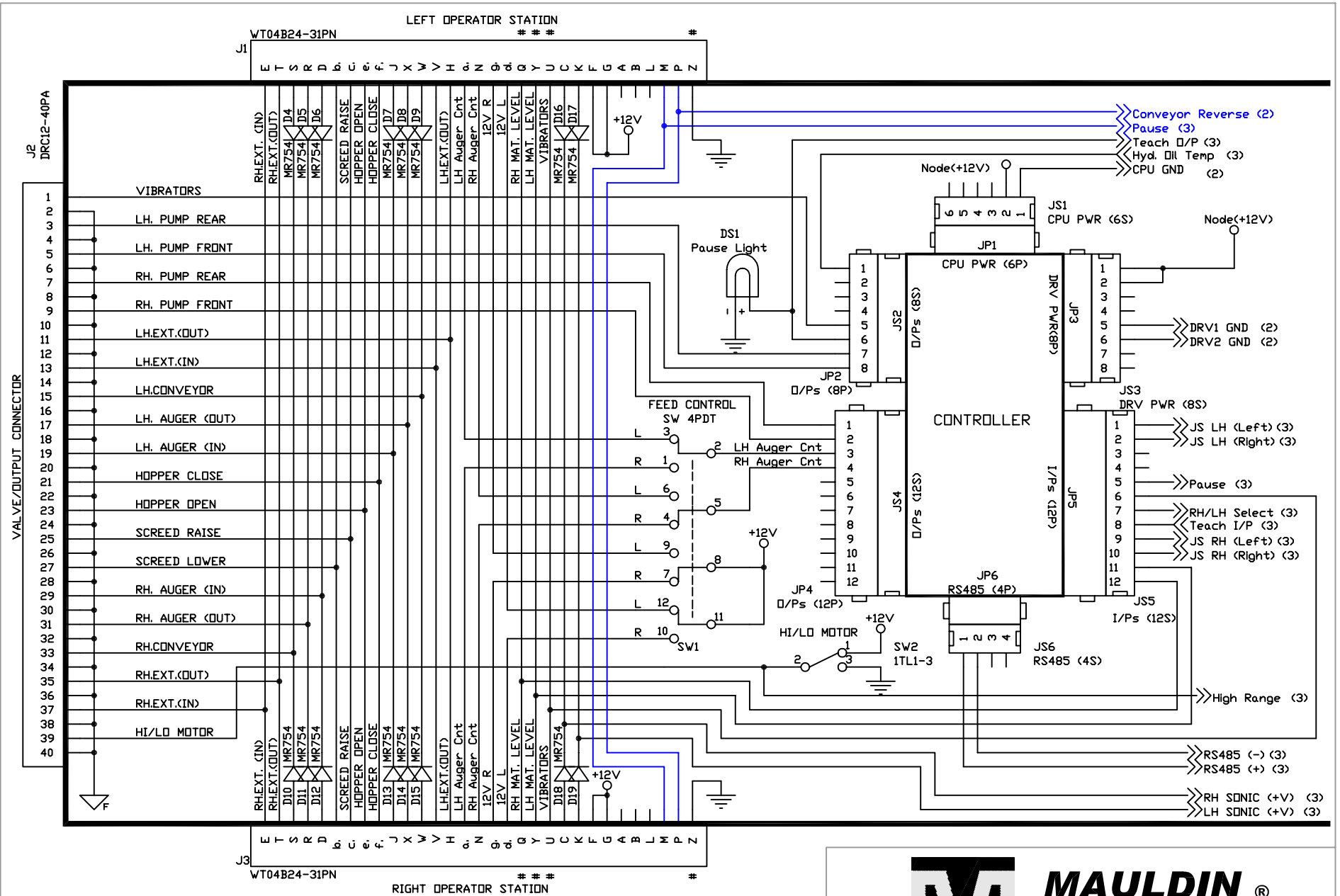


* OPTIONAL EQUIPMENT

1750 C ELECTRICAL SYSTEM



DRAWN: DMC	08/30/01	TITLE: ELECTRICAL SYSTEM	REVISION NO: 0
EFFECTIVE IN #: 545-A-75TJS7Y2-00545	03/03/00	DRAWING NO: EL 1750 C - 01	SHEET: 1 OF: 1
EFFECTIVE OUT #: 998-B-75TJS7Y2-00998	02/27/02		
CAD_FILE: EL 1750 C - 01.dwg	08/30/01		

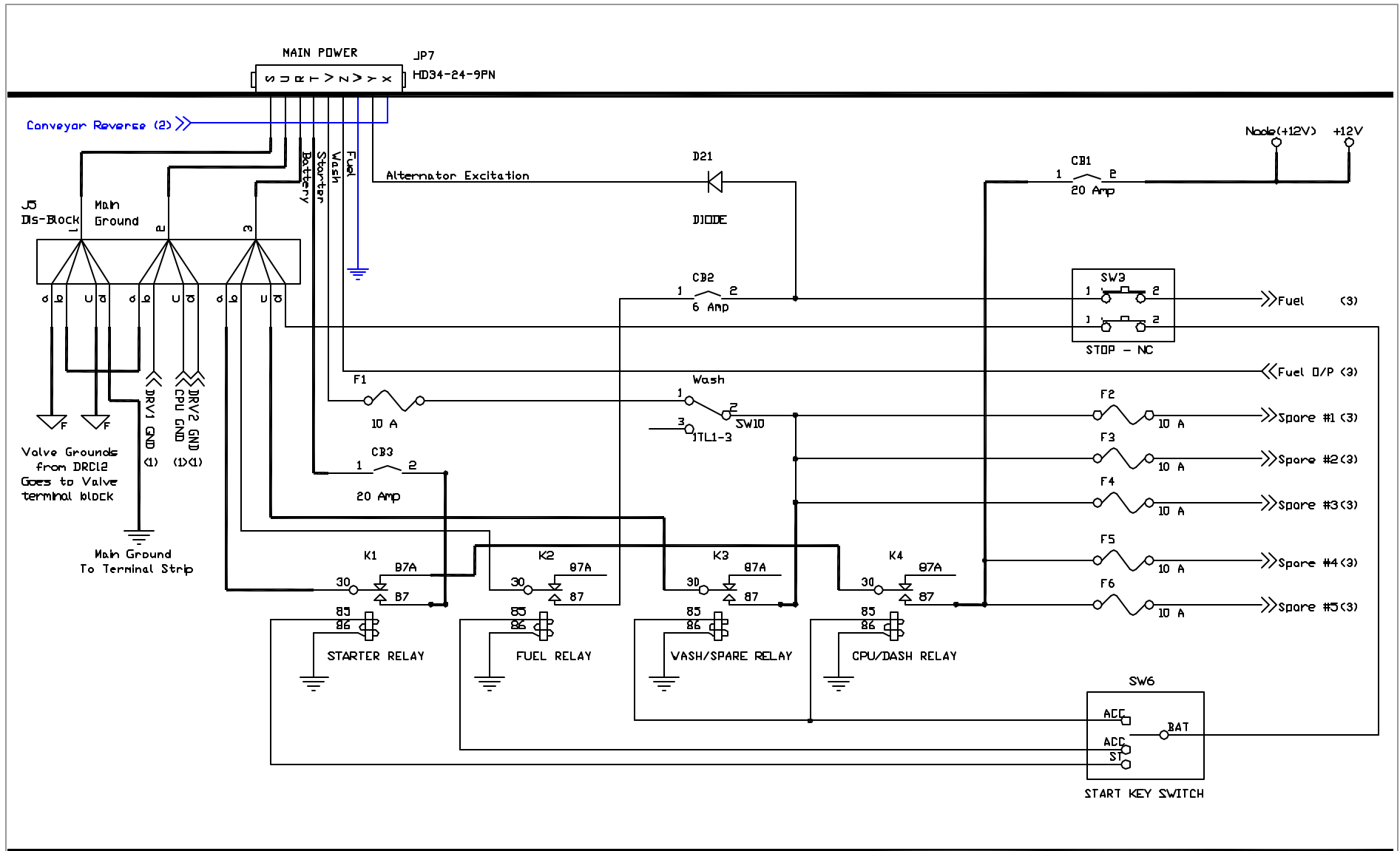


NOTES:
Gold plated contacts

VENDOR No. : MLMP1-4	DRAWN: DMC	8/31/01
VENDOR DATE: MAY 03, 2001	EFFECTIVE IN #: 545-A-75TJS7Y2-00545	03/03/00
VENDOR TITLE: MAIN CONTROL PANEL	EFFECTIVE OUT #:	
VENDOR CAD_FILE: MLMP1-4_SCHEMATIC_MAIN1.dxf	CAD_FILE: EL 1750 C - 02.dwg	8/31/01



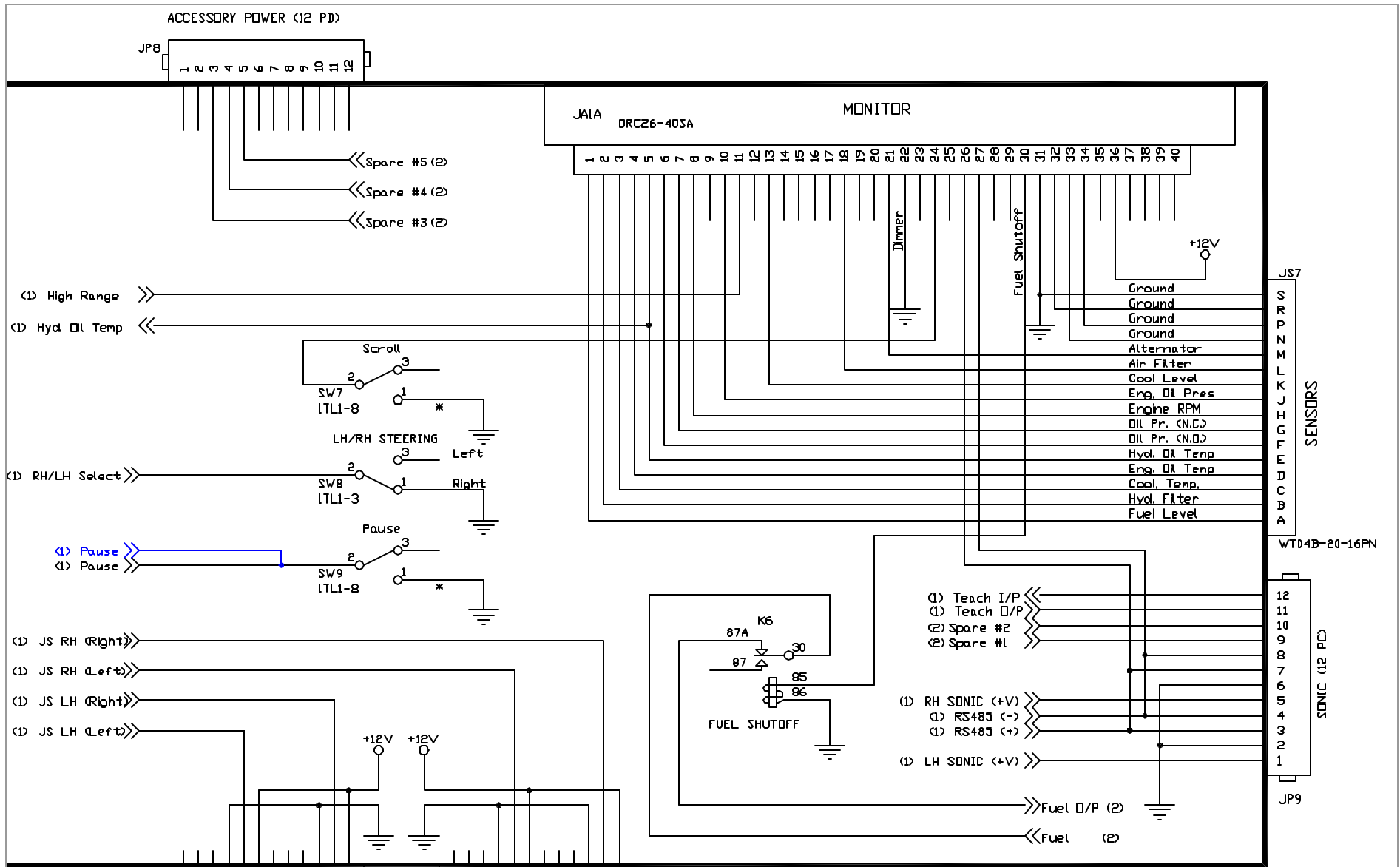
TITLE: 1750 C MAIN CONTROL PANEL	
DRAWING NO: EL 1750 C - 02	REVISION NO: 2.5M
	SHEET: 1 OF 3



MAULDIN®
PAVING PRODUCTS

VENDOR No. : NLMP1-4	DRAWN: DMC	8/31/01
VENDOR DATE: MAY 03, 2001	EFFECTIVE IN #: 545-A-75TJS7Y2-00545	03/03/00
VENDOR TITLE: MAIN CONTROL PANEL	EFFECTIVE OUT #:	
VENDOR CAD_FILE: NLMP1-4 SCHEMATIC MAIN2.dwg	CAD_FILE: EL 1750 C - 02.dwg	8/31/01

TITLE: 1750 C MAIN CONTROL PANEL	REVISION NO: 2.5M
DRAWING NO: EL 1750 C - 02	SHEET: 2 OF 3



NOTES:
 * Momentary Switch

VENDOR No. :	NLMF1-4	DRAWN:	DMC	5/31/01
VENDOR DATE:	MAY 03, 2001	EFFECTIVE IN #:	545-A-75TJS7Y2-00545	03/03/00
VENDOR TITLE:	MAIN CONTRL PANEL	EFFECTIVE OUT #:		
VENDOR CAD_FILE:	NLMF1-4 SCHEMATIC MAIN3.dxf	CAD_FILE:	EL 1750 C - 02.dwg	8/31/01

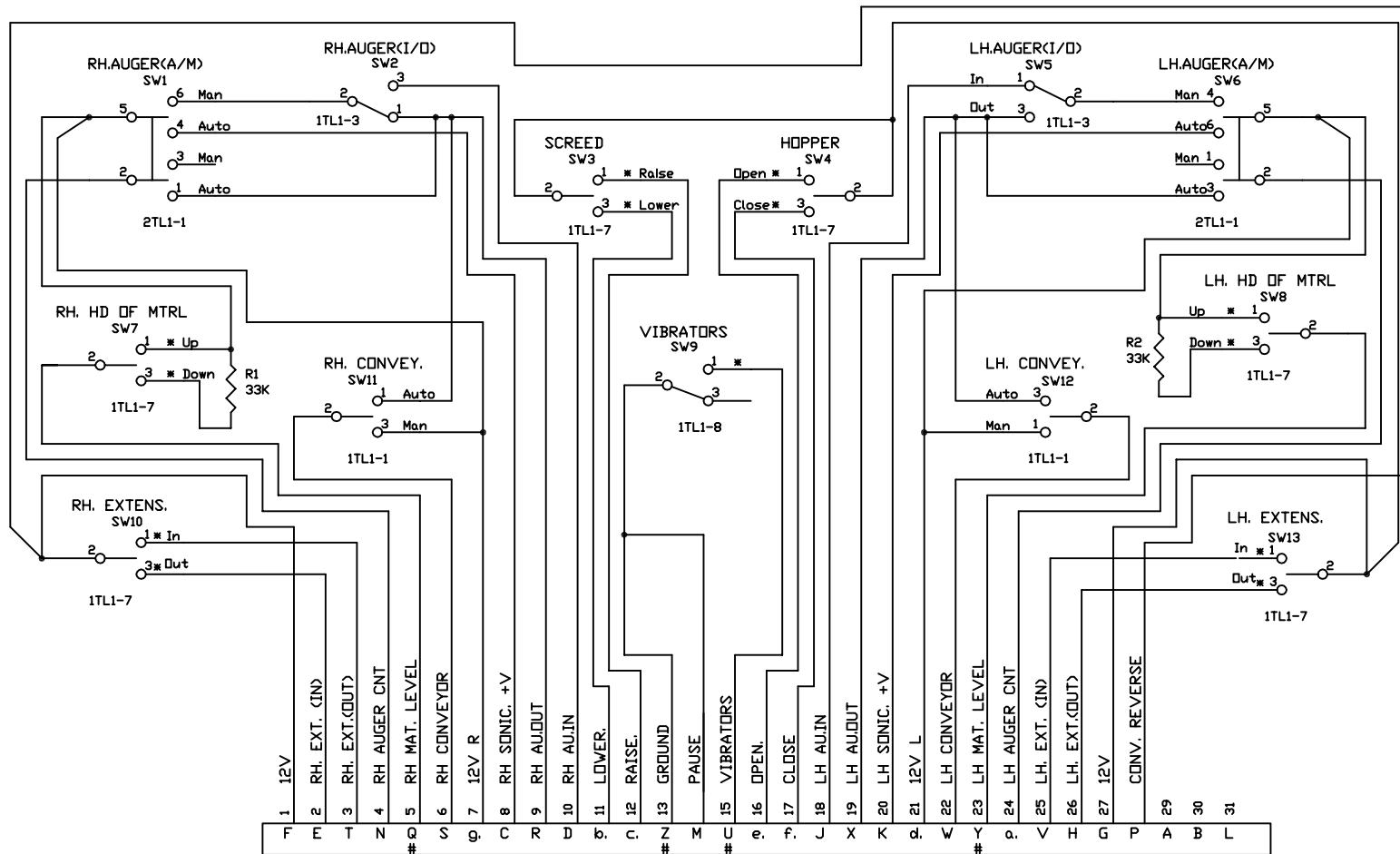


MAULDIN®
PAVING PRODUCTS

TITLE: 1750 C MAIN CONTROL PANEL

DRAWING NO: **EL 1750 C - 02**

REVISION NO: 2.5M
 SHEET: 3 OF 3



COMMENTS

* Momentary Position

Gold plated contacts

- Three position switches are shown with the common terminal in the center



MAULDIN®
PAVING PRODUCTS

VENDOR No. : NONE	REV: NA	DRAWN: DMC	01/17/02
VENDOR DATE: NONE	EFFECTIVE IN #: 984-B-75TJS7Y2-00984	11/30/01	
VENDOR TITLE: NONE	EFFECTIVE OUT #: 998-B-75TJS7Y2-00998	02/27/02	
VENDOR CAD_FILE: NONE	CAD_FILE: EL 1750 C - 06.dwg	01/17/02	

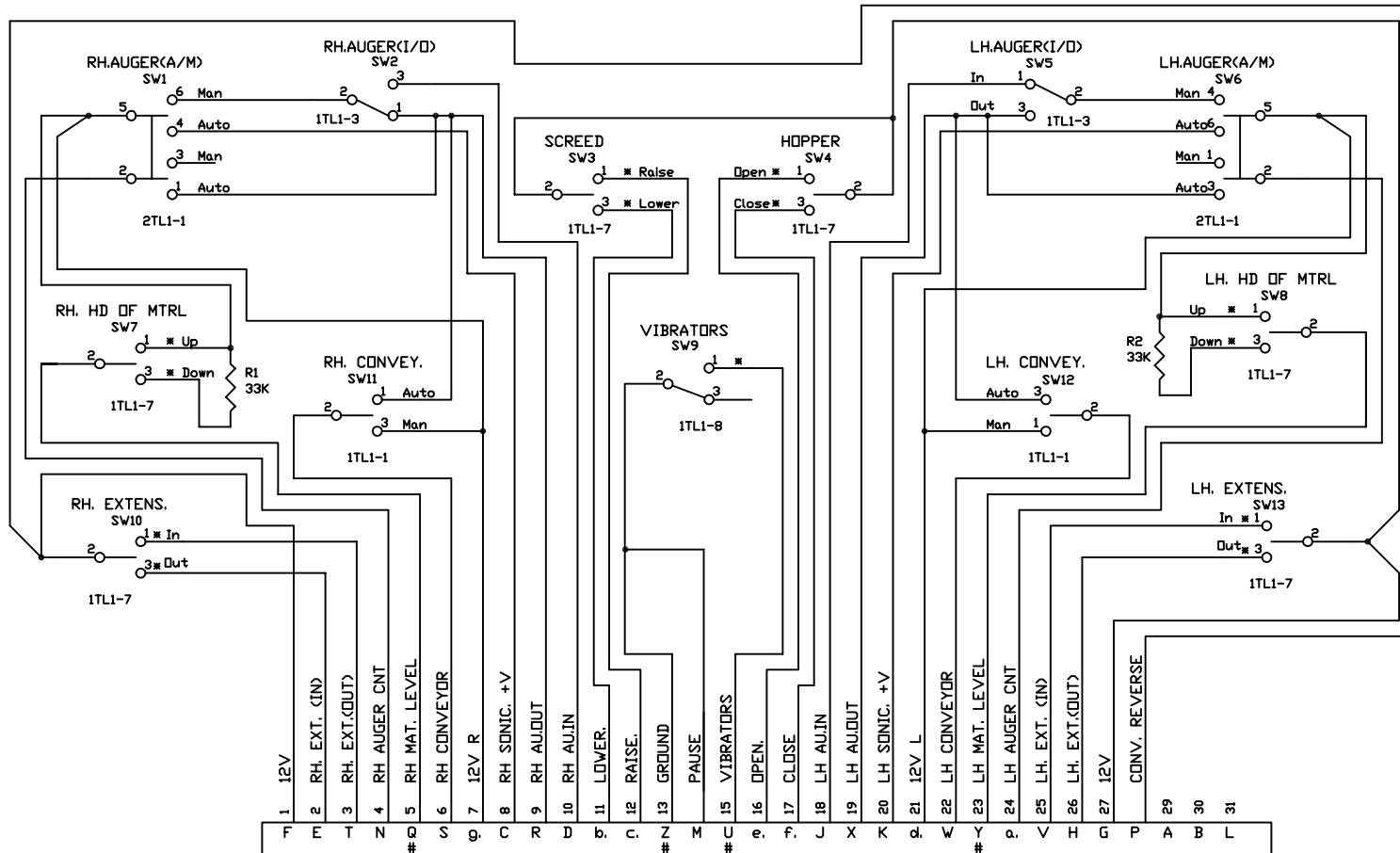
TITLE: CONTROL WIRING W/REV CONV & PAUSE

DRAWING NO:

EL 1750 C - 06

REVISION NO: 0

SHEET: 1 OF: 7



REAR VIEW OF RH OPERATING STATION WITH REV CONV & PAUSE

COMMENTS

* Momentary Position

Gold plated contacts

- Three position switches are shown with the common terminal in the center

VENDOR No. : NONE	REV: NA	DRAWN: DMC	01/17/02
VENDOR DATE: NONE	EFFECTIVE IN #: 984-B-75TJS7Y2-00984	11/30/01	
VENDOR TITLE: NONE	EFFECTIVE OUT #: 998-B-75TJS7Y2-00998	02/27/02	
VENDOR CAD_FILE: NONE	CAD_FILE: EL 1750 C - 06.dwg	01/17/02	



MAULDIN®
PAVING PRODUCTS

TITLE: CONTROL WIRING W/REV CONV & PAUSE

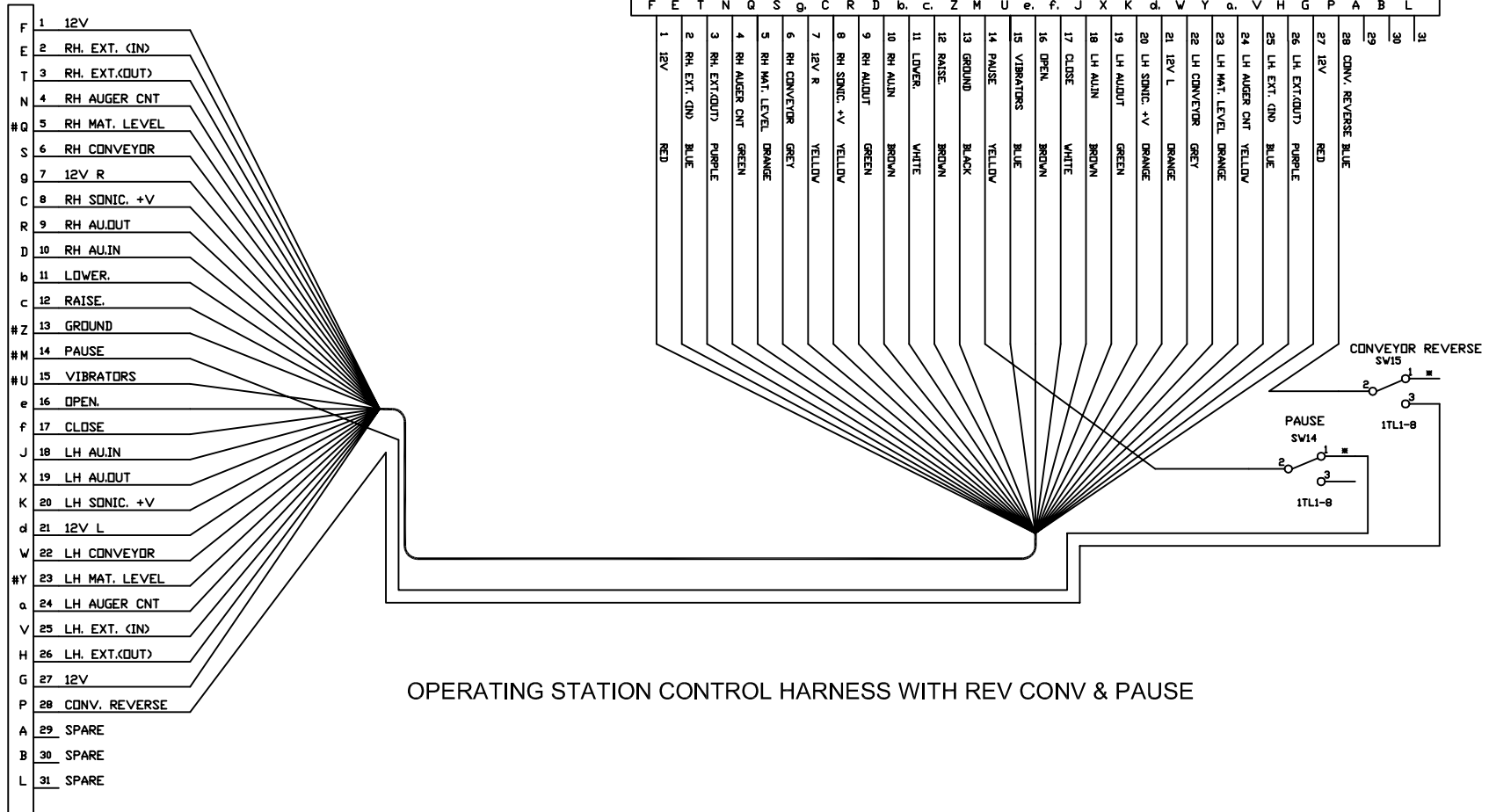
DRAWING NO:

EL 1750 C - 06

REVISION NO: 0

SHEET: 2 OF: 7

P-J1 WT06B-24-31SN



OPERATING STATION CONTROL HARNESS WITH REV CONV & PAUSE



MAULDIN®
PAVING PRODUCTS

VENDOR No. : NONE	REV: NA	DRAWN: DMC	0/17/02
VENDOR DATE: NONE	EFFECTIVE IN #: 984-B-75TJS7Y2-00984	11/30/01	
VENDOR TITLE: NONE	EFFECTIVE OUT #: 998-B-75TJS7Y2-00998	02/27/02	
VENDOR CAD_FILE: NONE	CAD_FILE: EL 1750 C - 06.dwg	01/17/02	

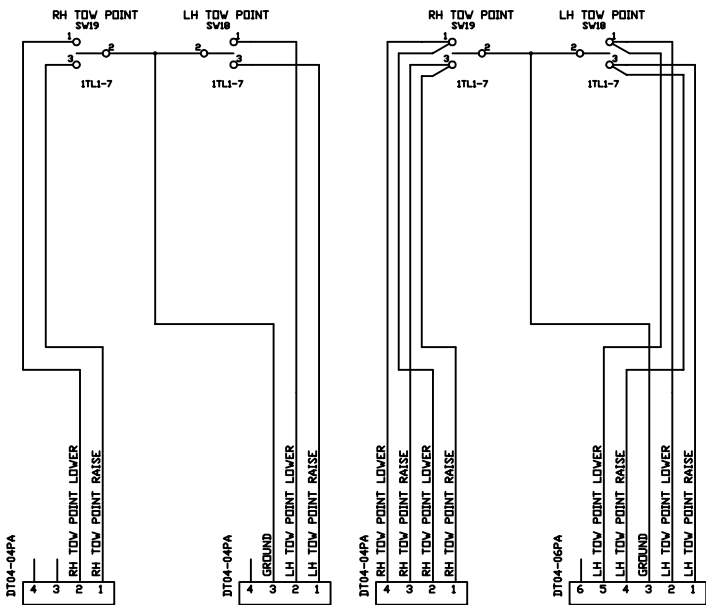
TITLE: CONTROL WIRING W/REV CONV & PAUSE

DRAWING NO:

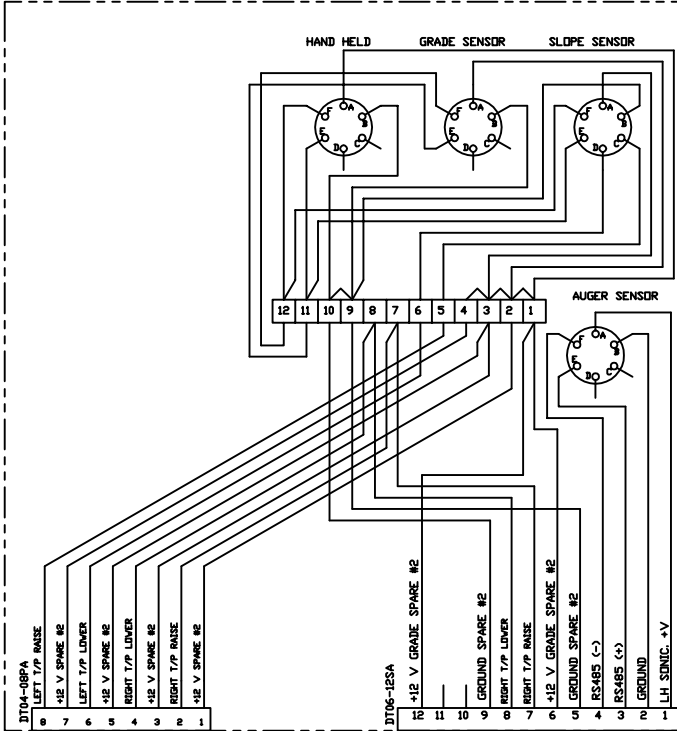
EL 1750 C - 06

REVISION NO: 0

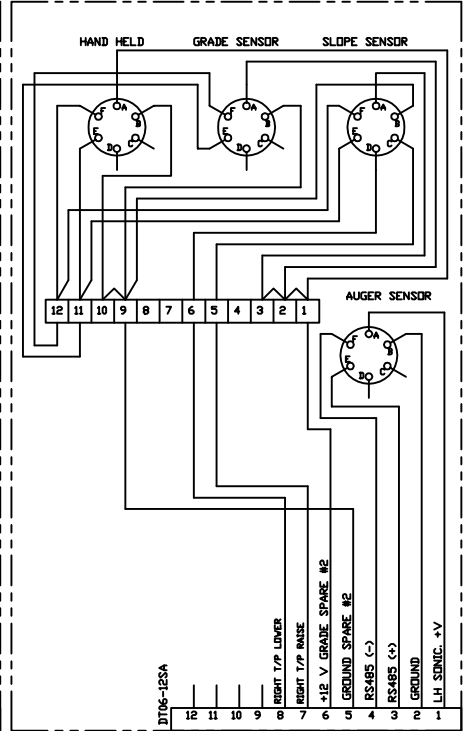
SHEET: 3 OF: 7



LEFT HAND SENSOR CONNECTION ENCLOSURE



RIGHT HAND SENSOR CONNECTION ENCLOSURE



TOW POINT & SENSOR JUNCTION BOXES AND MANUAL TOW POINT SWITCHES

VENDOR No. : NONE	REV: NA	DRAWN: DMC	0/17/02
VENDOR DATE: NONE	EFFECTIVE IN #: 984-B-75TJS7Y2-00984	11/30/01	
VENDOR TITLE: NONE	EFFECTIVE OUT #: 998-B-75TJS7Y2-00998	02/27/02	
VENDOR CAD_FILE: NONE	CAD_FILE: EL 1750 C - 06.dwg	01/17/02	



MAULDIN[®]
PAVING PRODUCTS

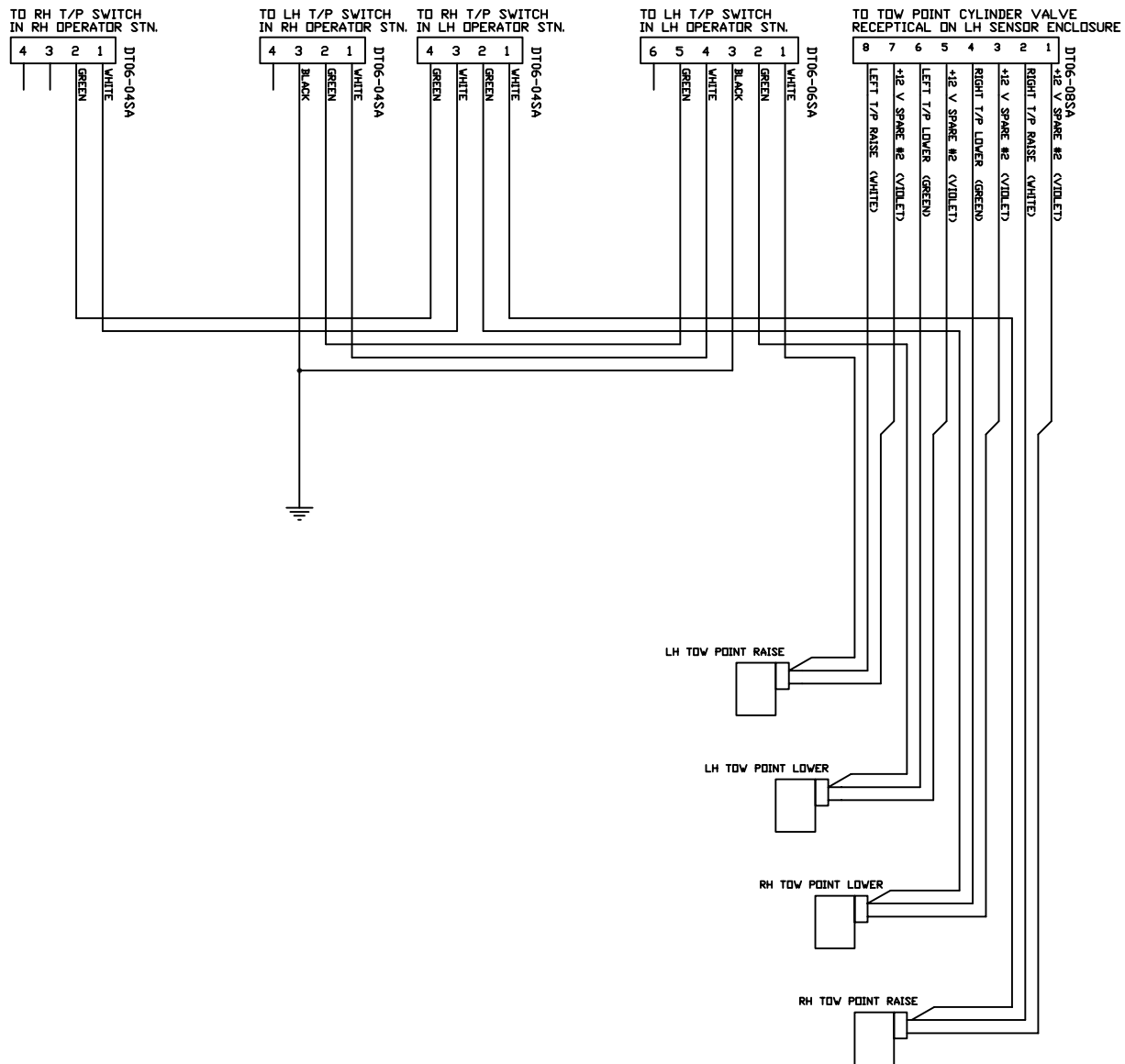
TITLE: CONTROL WIRING W/REV CONV & PAUSE

DRAWING NO:

EL 1750 C - 06

REVISION NO: 0

SHEET: 4 OF: 7



TOW POINT VALVE & SWITCH HARNESS

VENDOR No. : NONE	REV: NA	DRAWN: DMC	0/17/02
VENDOR DATE: NONE		EFFECTIVE IN #: 984-B-75TJS7Y2-00984	11/30/01
VENDOR TITLE: NONE		EFFECTIVE OUT #: 998-B-75TJS7Y2-00998	02/27/02
VENDOR CAD_FILE: NONE		CAD_FILE: EL 1750 C - 06.dwg	01/17/02



MAULDIN®
PAVING PRODUCTS

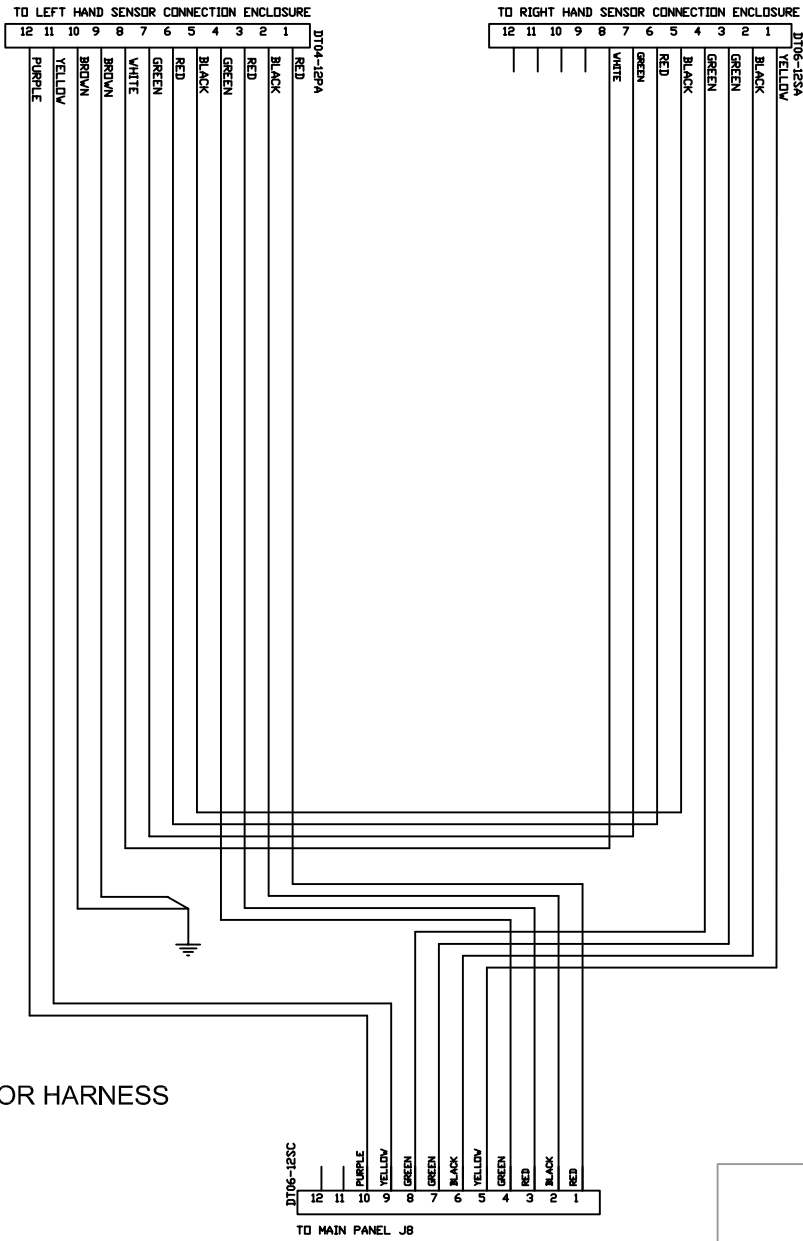
TITLE: CONTROL WIRING W/REV CONV & PAUSE

DRAWING NO:

EL 1750 C - 06


REVISION NO: 0

SHEET: 5 OF 7



SONIC SENSOR HARNESS

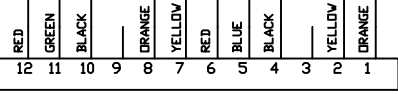
VENDOR No. : NONE	REV: NA	DRAWN: DMC	0/17/02
VENDOR DATE: NONE		EFFECTIVE IN #: 984-B-75TJS7Y2-00984	11/30/01
VENDOR TITLE: NONE		EFFECTIVE OUT #: 998-B-75TJS7Y2-00998	02/27/02
VENDOR CAD_FILE: NONE		CAD_FILE: EL 1750 C - 06.dwg	01/17/02



MAULDIN®
PAVING PRODUCTS

TITLE: CONTROL WIRING W/REV CONV & PAUSE		REVISION NO: 0
DRAWING NO: EL 1750 C - 06		SHEET: 6 OF: 7

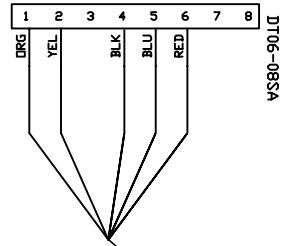
DT06-12SA (LEFT HAND)
DT06-12SB (RIGHT HAND)



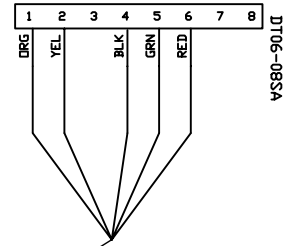
TO MAIN PANEL (J10 FOR LEFT, J11 FOR RIGHT)

OVER ALL LENTH 138'

STEERING JOY STICK HARNESSSES



DT06-08SA



DT06-08SA

LENTH 6'

LENTH 6'



MAULDIN®
PAVING PRODUCTS

VENDOR No. :	NONE	REV: NA	DRAWN: DMC	0/17/02
VENDOR DATE:	NONE	EFFECTIVE IN #:	984-B-75TJS7Y2-00984	11/30/01
VENDOR TITLE:	NONE	EFFECTIVE OUT #:	998-B-75TJS7Y2-00998	02/27/02
VENDOR CAD_FILE:	NONE	CAD_FILE:	EL 1750 C - 06.dwg	01/17/02

TITLE:	CONTROL WIRING W/REV CONV & PAUSE		
DRAWING NO:	EL 1750 C - 06	REVISION NO:	0
		SHEET:	7 OF 7