

5 STATION FEEDER SYSTEM MANIFOLD

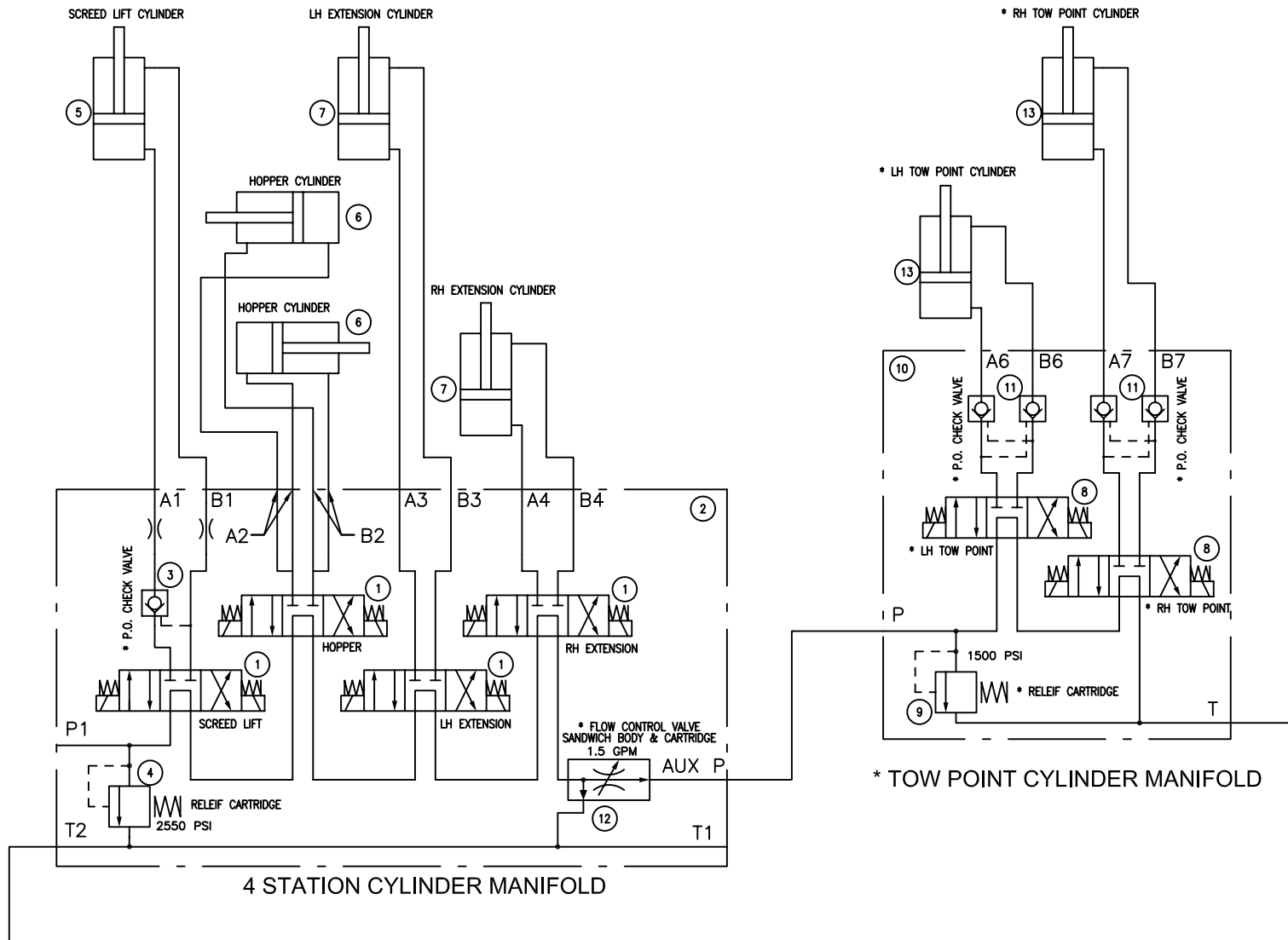
1750C FEEDER SYSTEM HYDRAULIC CIRCUIT



MAULDIN[®]
PAVING PRODUCTS

DRAWN:	DMC	06/13/01
EFFECTIVE IN #:	545-A-75TJS7Y2-00545	03/03/00
EFFECTIVE OUT #:	959-AA75TJS7Y2-00959	11/07/01
CAD_FILE:	HY 1750 C - 03.dwg	06/13/01

TITLE:	HYDRAULIC, 1750 C FEEDER SYSTEM
DRAWING NO:	HY 1750 C - 03
REVISION NO:	0
SHEET:	1 OF: 1



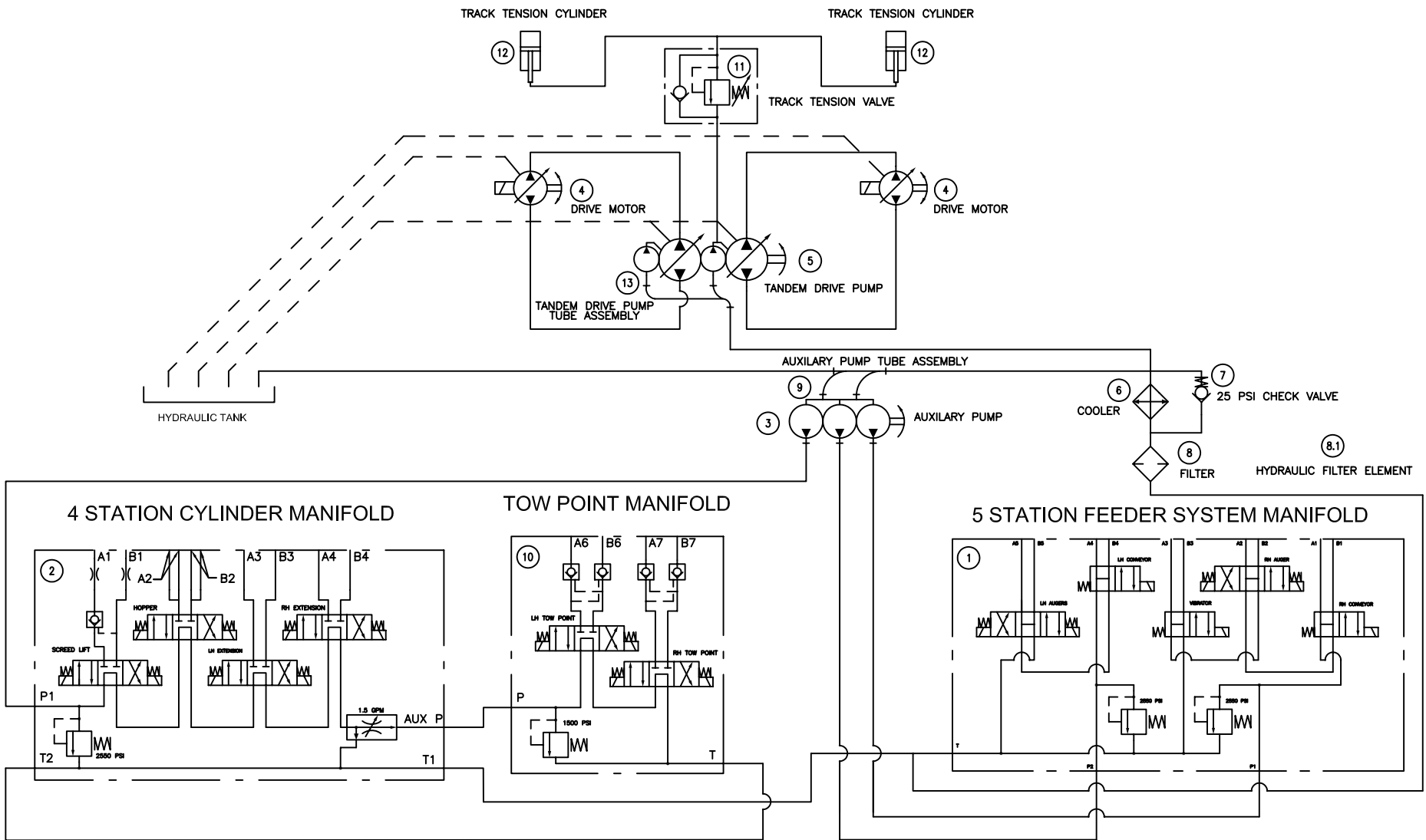
* OPTIONAL EQUIPMENT

1750C HYDRAULIC CYLINDER CIRCUIT



DRAWN:	DMC	08/13/01
EFFECTIVE IN #:	545-A-75TJS7Y2-00545	03/03/00
EFFECTIVE OUT #:	959-AA75TJS7Y2-00959	11/07/01
CAD_FILE:	HY 1750 C - 04.DWG	08/13/01

TITLE:	HYDRAULIC, 1750C CYLINDER	
DRAWING NO:	HY 1750 C - 04	REVISION NO: 0
		SHEET: 1 OF: 1



1750C MAIN HYDRAULIC CIRCUIT



MAULDIN[®]
PAVING PRODUCTS

DRAWN:	DMC	08/13/01
EFFECTIVE IN #:	545-A-75TJS7Y2-00545	03/03/00
EFFECTIVE OUT #:	959-AA75TJS7Y2-00959	11/07/01
CAD_FILE:	HY 1750 C - 05.dwg	08/13/01

TITLE: HYDRAULIC, 1750C MAIN HYDRAULIC SYSTEM

DRAWING NO:

HY 1750 C - 05

REVISION NO: 0

SHEET: 1 OF: 1