

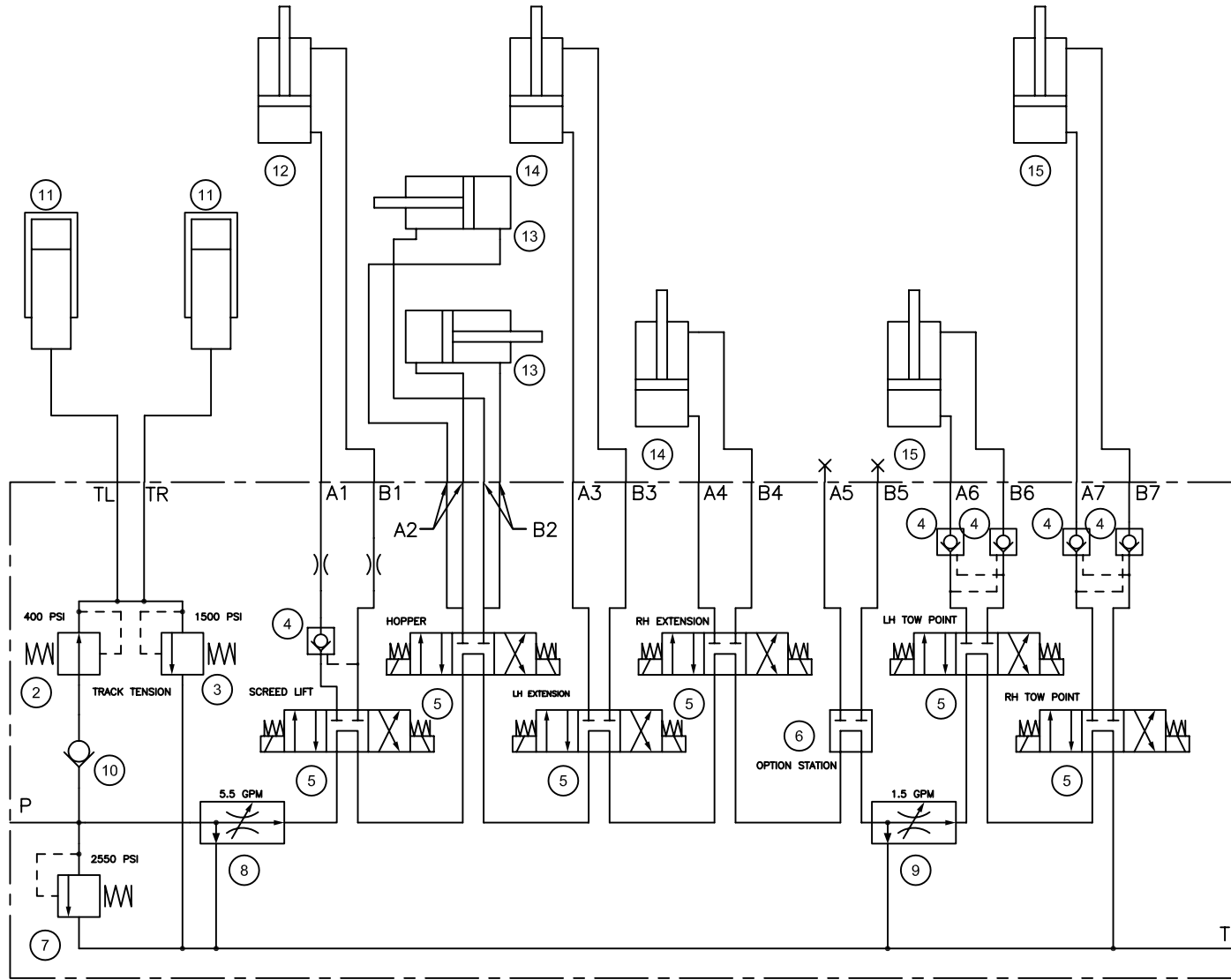
1750C MAIN HYDRAULIC CIRCUIT



**MAULDIN**®  
PAVING PRODUCTS

DRAWN:	DMC	06/13/01
EFFECTIVE IN SN:	984-B-75TJS7Y2-00984	11/30/01
EFFECTIVE OUT SN:	225-C-75TJS7Y2-01225	11/17/03
CAD_FILE:	HY 1750 C - 01.dwg	06/13/01

TITLE:	HYDRAULIC 1750 C	
DRAWING NO:	HY 1750 C - 01	REVISION NO: 0
		SHEET: 1 OF: 3



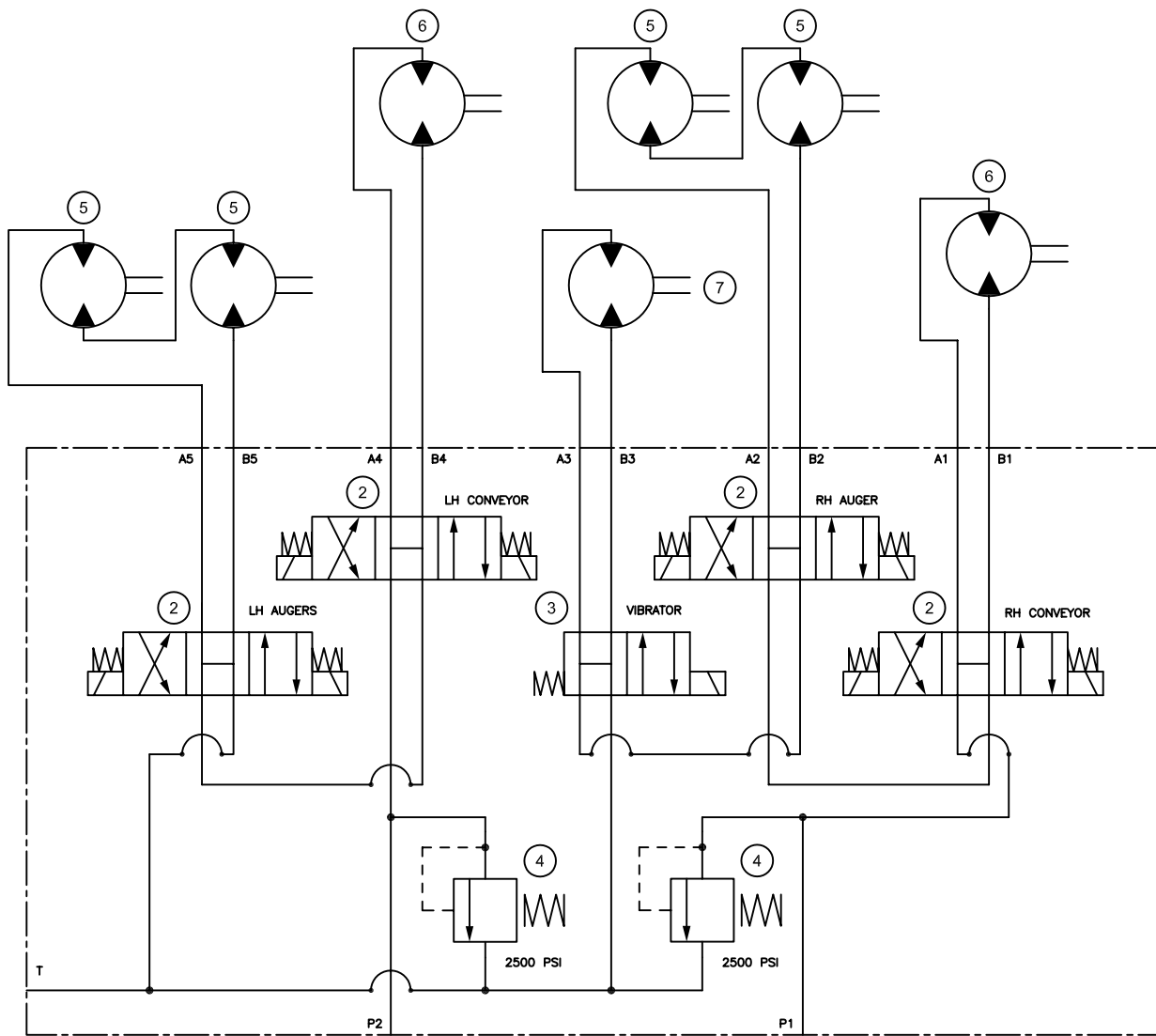
CYLINDER MANIFOLD (1) (1a)

1750C CYLINDER HYDRAULIC CIRCUIT



DRAWN:	DMC	06/13/01
EFFECTIVE IN SN:	984-B-75TJS7Y2-00984	11/30/01
EFFECTIVE OUT SN:	225-C-75TJS7Y2-01225	11/17/03
CAD_FILE:	HY 1750 C - 01.dwg	06/13/01

TITLE:	HYDRAULIC 1750 C	
DRAWING NO:	HY 1750 C - 01	REVISION NO: 0
		SHEET: 2 OF: 3



FEEDER SYSTEM MANIFOLD (1) (1a)

1750C FEEDER HYDRAULIC CIRCUIT



**MAULDIN**®  
PAVING PRODUCTS

DRAWN:	DMC	06/13/01
EFFECTIVE IN SN:	984-B-75TJS7Y2-00984	11/30/01
EFFECTIVE OUT SN:	225-C-75TJS7Y2-01225	11/17/03
CAD_FILE:	HY 1750 C - 01.dwg	06/13/01

TITLE:	HYDRAULIC 1750 C
DRAWING NO:	HY 1750 C - 01
REVISION NO:	0
SHEET:	3 OF 3