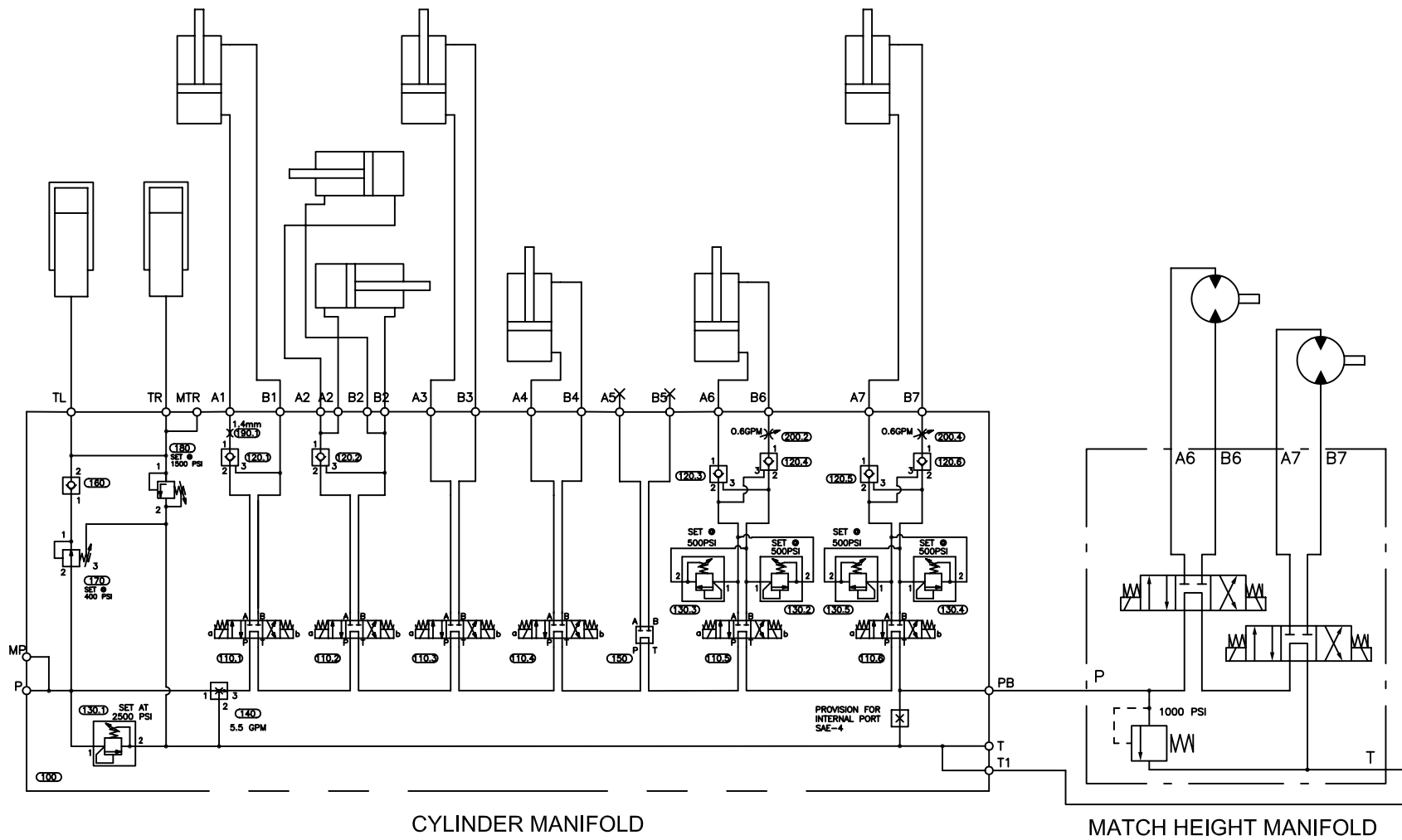


1750C MAIN HYDRAULIC CIRCUIT



DRAWN:	DMC	06/13/01
EFFECTIVE IN SN:	226-D-75TJS7Y2-01226	11/17/03
EFFECTIVE OUT SN:		
CAD_FILE:	HY 1750 C - 01.dwg	06/13/01

TITLE:	HYDRAULIC 1750 C	
DRAWING NO:	HY 1750 C - 01	REVISION NO: 3
		SHEET: 1 OF: 3



CYLINDER MANIFOLD

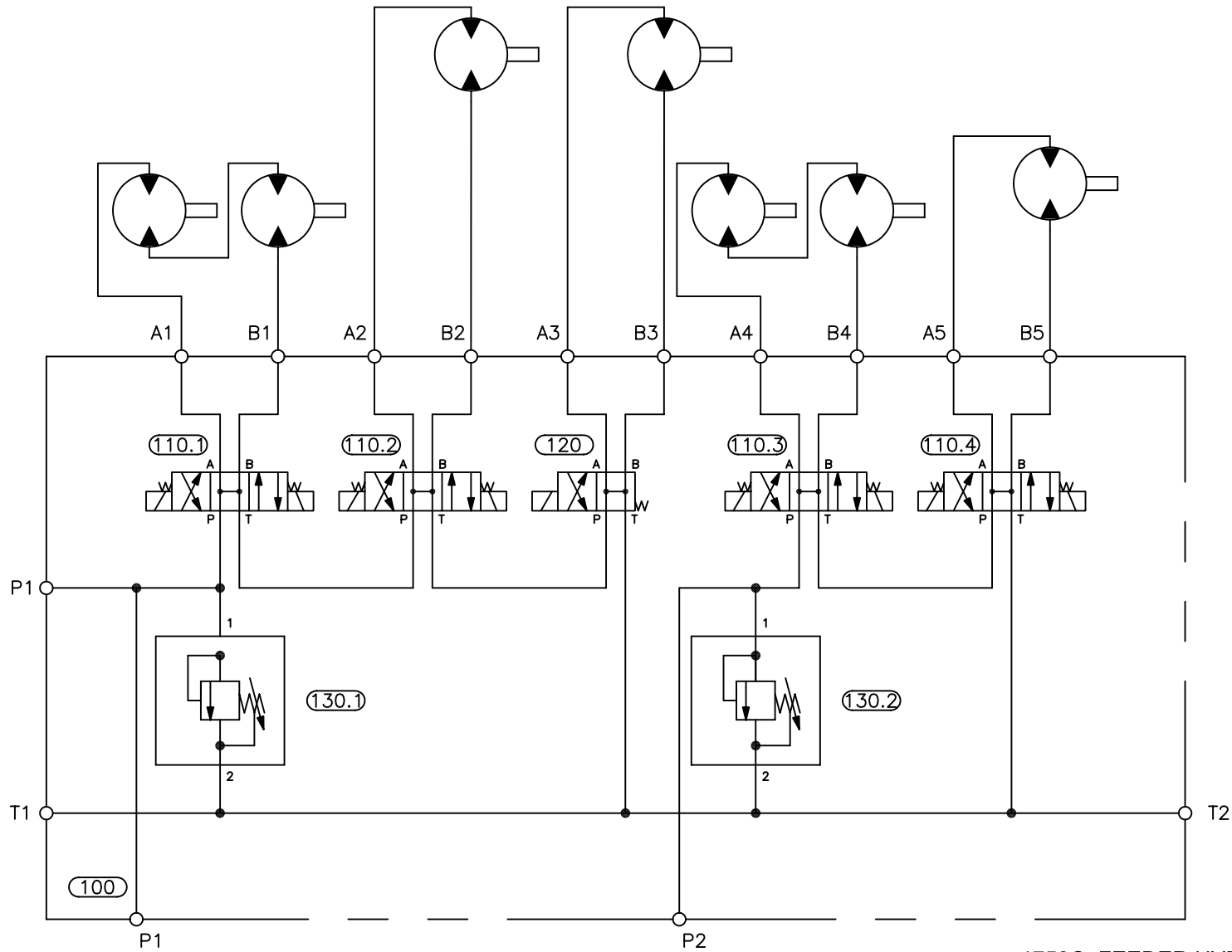
MATCH HEIGHT MANIFOLD

1750C CYLINDER HYDRAULIC CIRCUIT



DRAWN:	DMC	06/13/01
EFFECTIVE IN SN:	226-D-75TJS7Y2-01226	11/17/03
EFFECTIVE OUT SN:		
CAD_FILE:	HY 1750 C - 01.dwg	06/13/01

TITLE:	HYDRAULIC 1750 C	
DRAWING NO:	HY 1750 C - 01	REVISION NO: 3
		SHEET: 2 OF: 3



FEEDER SYSTEM MANIFOLD

1750C FEEDER HYDRAULIC CIRCUIT



DRAWN:	DMC	06/13/01
EFFECTIVE IN SN:	226-D-75TJS7Y2-01226	11/17/03
EFFECTIVE OUT SN:		
CAD_FILE:	HY 1750 C - 01.dwg	06/13/01

TITLE:	HYDRAULIC 1750 C	
DRAWING NO:	HY 1750 C - 01	REVISION NO: 3
		SHEET: 3 OF: 3