



Parts Manual

Model: 1860B

Covers Serial Number Range:

416-V-86TCX5Y2*04123 through _____

Sold & Serviced By:

Contents

1 Quick Order List.....	5
2 Hopper, Push Beam, and Sight Gauge	6
2.1 Right Hand Hopper	6
2.2 Left Hand Hopper	8
2.3 Front Plastics	10
2.4 Push Beam.....	12
2.5 Sight Gauge Assembly	14
3 Hydraulic Tank Assembly.....	16
3.1 Hydraulic Tank	16
3.2 Fuse Panel	18
3.3 PDM Tower Assembly.....	20
4 Wash Down Tank.....	22
5 Fuel Tank and DEF TANK.....	24
6 Hydraulic Tubes	26
6.1 Hopper & Tow Points.....	26
6.2 Screed Lift & Valve Bank	28
7 Cooler and Fan Package.....	30
8 Power Train Assembly and Components	32
8.1 Exhaust and SCR.....	32
8.2 DEF Injection Unit	34
8.3 Engine Air Intake	36
8.4 Engine	38
8.5 Generator and Hydraulic Pumps	40
8.6 Generator Fuse Box.....	42
8.7 Battery Enclosure	44
9 Engine Compartment Exterior.....	46
9.1 Left Hand Engine Compartment	46
9.2 Rear Engine Compartment.....	48
9.3 Right Hand Engine Compartment	50
9.4 Front Engine Compartment.....	52
10 Hood Assembly	54
10.1 Hood Latch Assembly	54
10.2 Hood Structure	56
11 Conveyor Feed System	58
11.1 Conveyor Drive Right Hand	58
11.2 Conveyor Drive Left Hand.....	60
11.3 Conveyor Idler, Covers, and Flight Chain.....	62

12 Track Drive System.....	64
12.1 Right Hand Track Drive	64
12.2 Left Hand Track Drive	66
13 Electrical Harnesses	68
14 Tow Arm Assemblies	70
14.1 Left Front Tow Arm	70
14.2 Left Rear Tow Arm	72
14.3 Standard Seat Assembly.....	74
14.4 Right Hand Front Tow Arm.....	76
14.5 Right Rear Tow Arm	78
15 Main Screed	80
15.1 Main Screed Wear Plate Assembly	80
15.2 Main Screed Covers	82
15.3 Walk Boards.....	84
15.4 Screed Prestrike Off Plate	86
15.5 Main Screed Vertical Cover (Prestrike off Adjustment).....	88
15.6 Manual Crown Adjustment Assembly	90
15.6.1 Power Crown Assembly (Option)	92
15.7 Left Hand Match Height & Slope	94
15.8 Right Hand Match Height & Slope	96
16 Screed Extensions.....	98
16.1 Left Hand End Gate Assembly	98
16.2 Right Hand End Gate Assembly	100
16.3 Left Hand Extension.....	102
16.4 Right Hand Extension.....	104
16.5 Extension Wear Plate Left Hand and Right Hand.....	106
17 Left Hand Operator's Station.....	108
17.1 Left Hand Operator Station Base.....	108
17.2 Left Hand Operator Station Internals	110
17.3 Left Hand Operator Panel Assembly.....	112
17.3.1 Left Hand Operator Panel Toggle Switches	114
18 Right Hand Operator Station	116
18.1 Right Hand Operator Station Base	116
18.2 Right Hand Operator Station Internal.....	118
18.3 Right Hand Operator Panel	120
18.3.1 Right Hand Operator Panel Toggle Switches	122
19 High Voltage Heater Control Box	124
19.2 High Voltage Heater Control Box.....	124
19.3 High Voltage Heat Control Box Cont.	126
19.4 High Voltage Heat Control Box Cont.	128

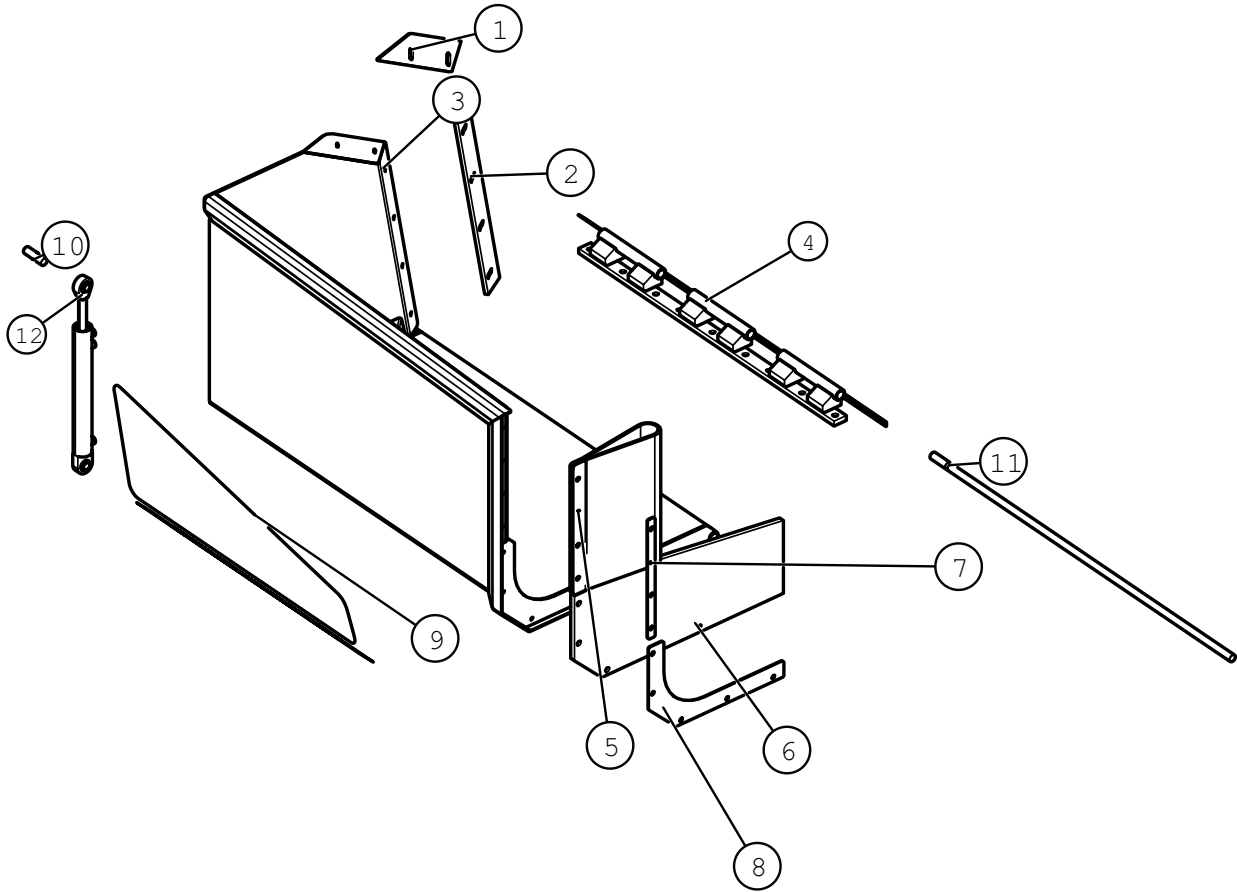
19.5 High Voltage Heat Control Box Cont.	130
19.6 High Voltage Heat Control Box Cont.	132
19.7 High Voltage Heat Control Box Cont.	134
19.8 High Voltage Heat Control Box Rear	136
20 Optional Equipment	138
20.1 Screed Automation Package Items	138
20.2 Road Crew Kit	140
21 Schematics	142
21.1 Electrical Schematics	143
21.1 Hydraulic Schematics	144

1 Quick Order List

BOM ID	Part Number	Description	Qty
1	111-302080	Auger Hanger Assembly (includes bearing 018-0105)	4
1.1	018-0105	Auger Hanger Replacement Bearing	4
2	112-302561	Auger Lower (LH)	1
3	112-302560	Auger Lower (RH)	1
4	112-421551	Auger, Upper (LH)	1
5	112-421550	Auger, Upper (RH)	1
6	015-0154	Auger Sprocket Lower	2
7	015-0045	Auger Chain Coupler	2
8	021-0243	Filter Engine Oil	1
9	021-0244	Filter Engine Air Primary	1
10	021-0245	Filter Engine Air Secondary	1
11	021-0169	Filter Hydraulic Oil High Pressure	1
12	021-0239	Filter Hydraulic Oil Return Suction	1
13	021-0247	Filter Fuel Water Separator	1
14	021-0246	Filter Fuel	1
15	050-0522	Cap, Fuel tank	1
16	050-0522	Cap Washdown	1
17	024-0280	Decal Kit	1
18	091-414600	Flight Chain Idler Assembly	2
19	018-0091	Flight Chain Bearing	8
20	020-0985	Fuel Sender	1
21	013-0115	Motor Upper Auger	2
22	013-0115	Motor Auger Lower	2
23	093-408756	Rubber Flap Hopper Outer	2
24	093-414646	Plastic Hopper Inner	2
25	093-414642	Plastic Hopper Center W/ Cutout	1
26	093-414643	Plastic Hopper Center W/o Cutout	1
27	093-414890	Plastic Hopper Scraper	2
28	112-421421	Screed Plate Main	1
29	111-421290	Screed Extension Plate	2
30	020-421311	Sonic Sensor Cord LH	1
31	020-421310	Sonic Sensor Cord RH	1
32	020-109473	Sonic Sensor LH & RH	1

2 Hopper, Push Beam, and Sight Gauge

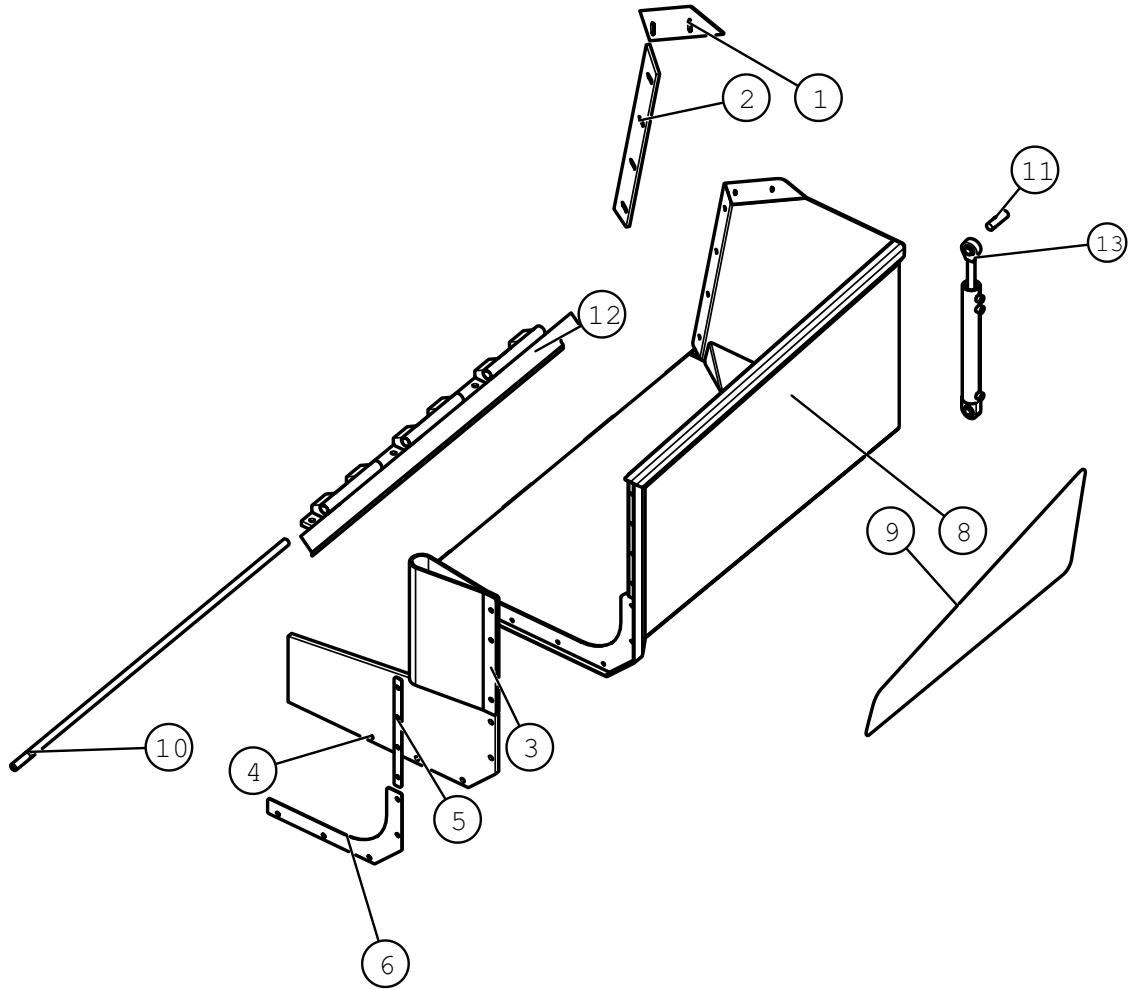
2.1 Right Hand Hopper



Right Hand Hopper

BOM ID	PART NUMBER	DESCRIPTION	QTY
1	093-414892	HOPPER REAR UPPER PLASTIC WIPER	1
2	093-414890	HOPPER REAR LOWER PLASTIC WIPER	1
3	092-414900	HOPPER WELDMENT RH	1
4	092-414841	WELDMENT, HOPPER HINGE, LEFT	1
5	093-408756	HOPPER SIDE FLAPS	1
6	093-414646	HOPPER PLASTIC, FRONT	1
7	093-408830	RETAINER, HOPPER SIDE RUBBER FLAP	1
8	093-414886	RETAINER, FRONT SIDE LOWER PLASTIC	1
9	024-0269	1860B HOPPER DECAL RH	1
10	093-414928	HOPPER LOCK PIN	1
11	093-414930	HOPPER HINGE ROD	1

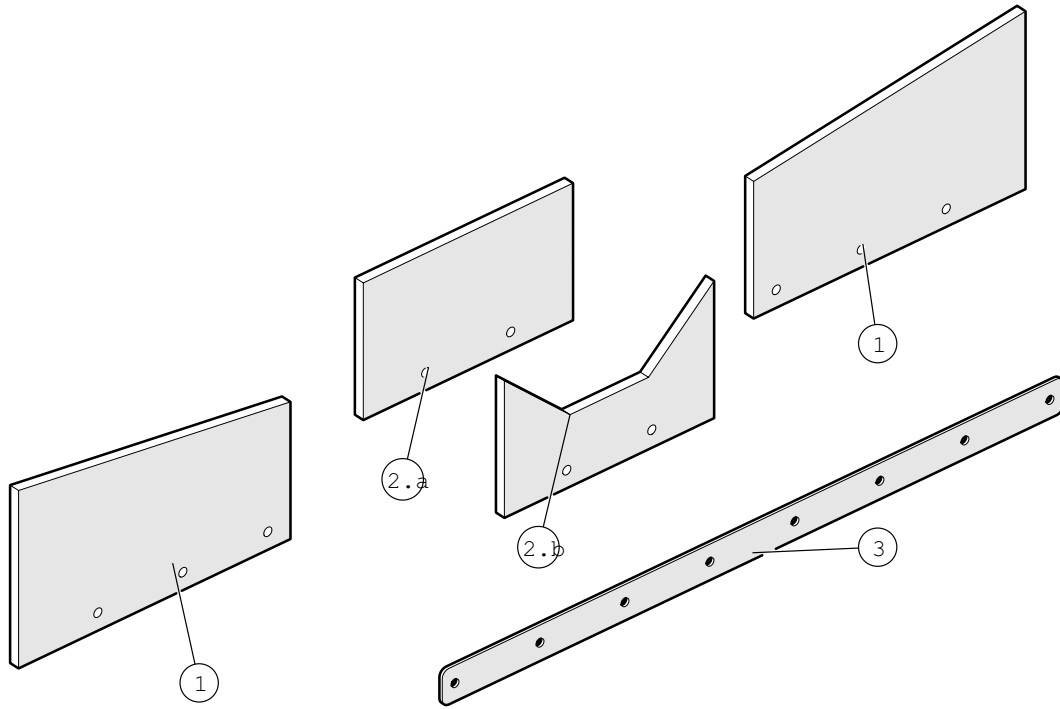
2.2 Left Hand Hopper



Left Hand Hopper

BOM ID	PART NUMBER	DESCRIPTION	QTY
1	093-414892	HOPPER REAR UPPER PLASTIC WIPER	1
2	093-414890	HOPPER REAR LOWER PLASTIC WIPER	1
3	093-408756	HOPPER SIDE FLAPS	1
4	093-414646	HOPPER PLASTIC, FRONT	1
5	093-408830	RETAINER, HOPPER SIDE RUBBER FLAP	1
6	093-414886	RETAINER, FRONT SIDE LOWER PLASTIC	1
8	092-414901	HOPPER WELDMENT LH	1
9	024-0270	DECAL 1860B HOPPER LH	1
10	093-414930	HOPPER HINGE ROD	1
11	093-414928	HOPPER LOCK PIN	1
12	092-414841	HOPPER MOUNT WELDMENT, RIGHT	1
13	012-414002	CYLINDER HOPPER LIFT	1

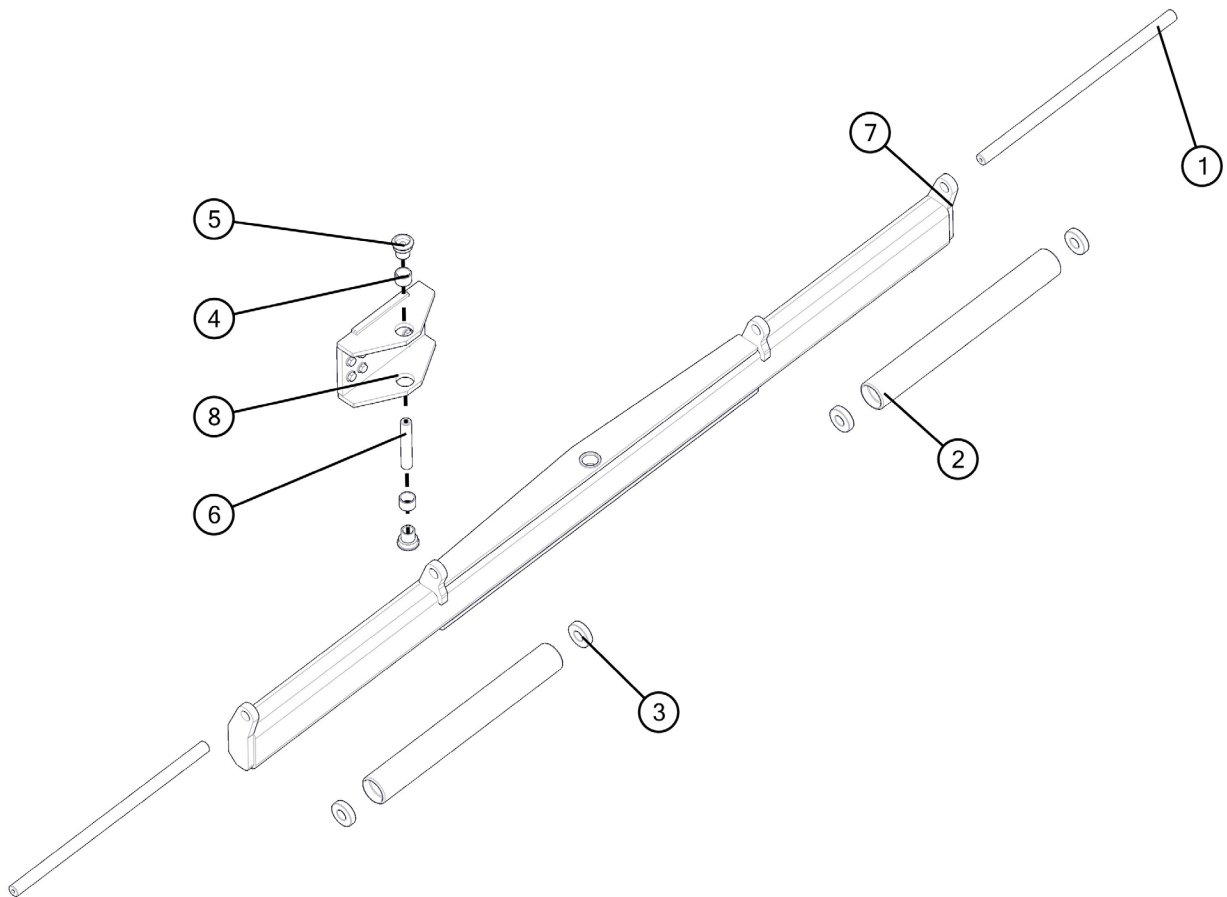
2.3 Front Plastics



Front Plastics

BOM ID	PART NUMBER	DESCRIPTION	Qty
1	093-414644	Hopper Plastic, Middle, Outboard	2
2.a	093-414643	Hopper Plastic, Middle, Center (No Pintle Relief)	1
2.b	093-414642	Hopper Plastic, Middle, Center	1
3	093-414264	FRONT CENTER PLASTIC RE- TAINER	1

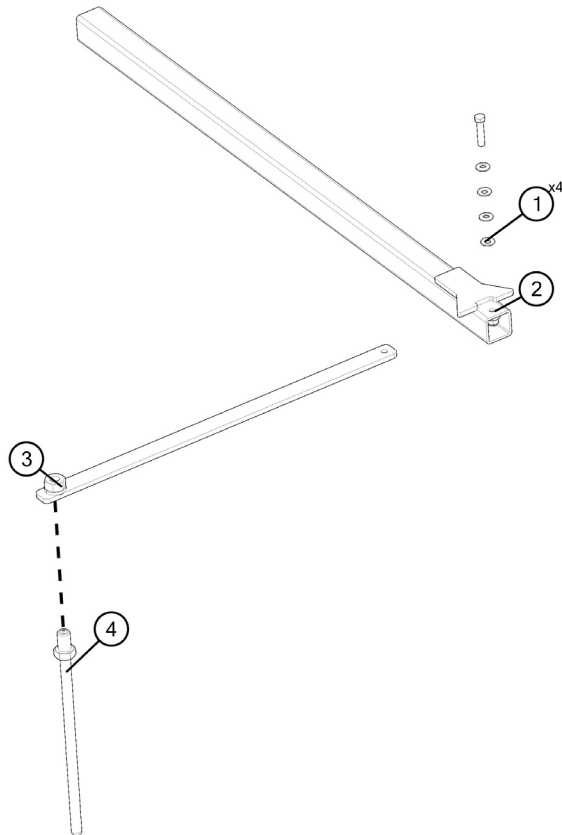
2.4 Push Beam



Push Beam Assembly

BOM ID	PART NUMBER	DESCRIPTION	Qty
1	093-100778	PUSH ROLLER AXLE	2
2	093-100776	TRUCK PUSH ROLLER	2
3	018-0010	BEARING PUSH ROLLER	4
4	018-622681	BRONZE BUSHING	2
5	093-104308	PUSH BEAM PIVOT PIN	2
6	093-104306	PUSH BEAM PIVOT PIN	1
7	092-100512	OSCILLATING PUSH BEAM WELDEMENT	1
8	092-408574	PUSH BEAM CARRIER WELDMENT	1

2.5 Sight Gauge Assembly

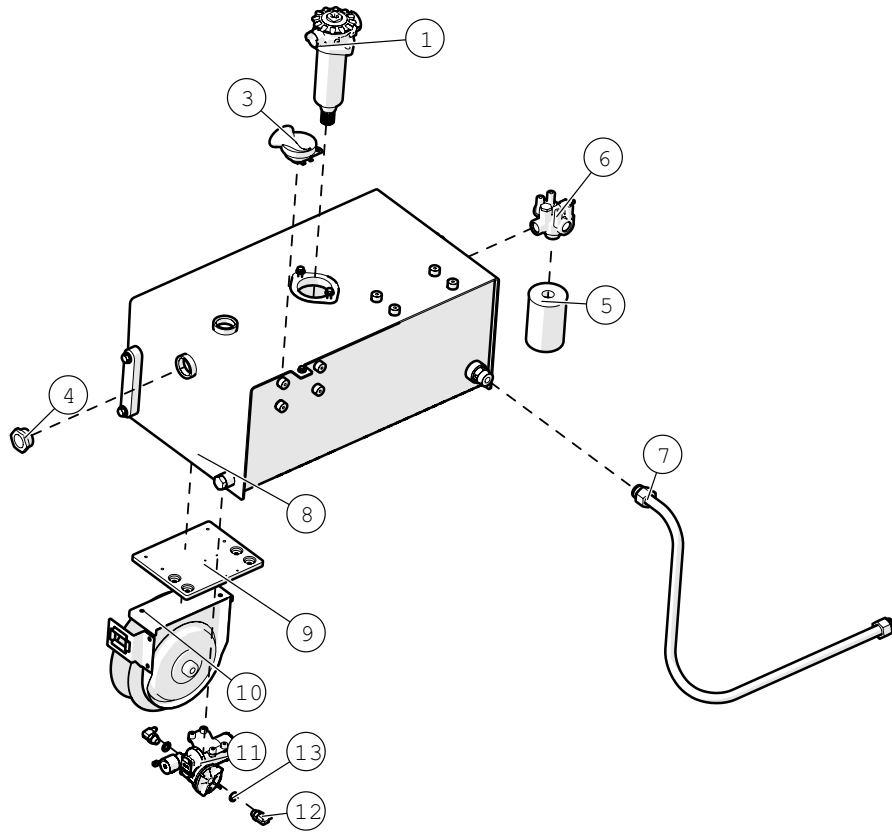


Sight Gauge Assembly

BOM ID	PART NUMBER	DESCRIPTION	Qty
1	030-0580	BELLEVILLE DISC SPRING	4
2	092-204634	SIGHT GUIDE SLIDE TUBE WELDMENT	1
3	093-204628	SIGHT GUIDE EXTENSION BAR	1
4	091-204632	SIGHT GUIDE POST SUB-AS- SEMBLY	1
5 (not shown)	030-0544	HANDLE LEVER SIGHT GAUGE LATERAL LOCK	1

3 Hydraulic Tank Assembly

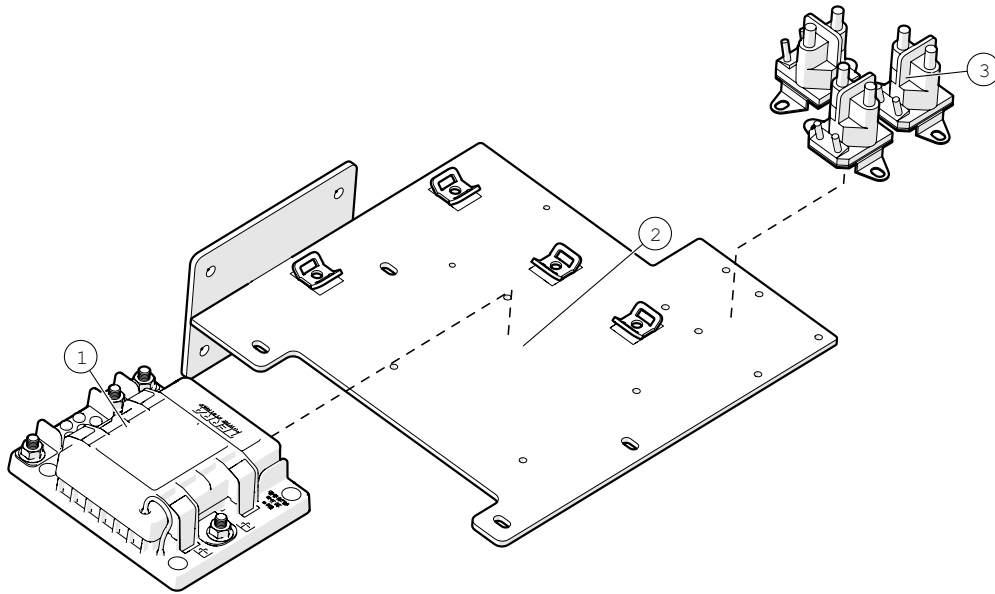
3.1 Hydraulic Tank



Hydraulic Tank

BOM ID	PART NUMBER	DESCRIPTION	Qty
1	021-0238	IN TANK FILTER ASSEMBLY	1
3	020-0410	HORN	1
4	060-0066	SIGHT GLASS	1
5	021-0169	HYDRAULIC OIL FILTER	1
6	021-0233	FILTER HEAD	1
7	014-414043	BYPASS TUBE TO MANIFOLD	1
8	092-421040	HYDRAULIC TANK WELDMENT	1
9	093-421044	WASHDOWN SYSTEM MOUNTING PLATE	1
10	050-0344	SPRAY WAND HOSE REEL	1
11	011-0278	WASHDOWN GEAR PUMP	1
12	014-1127	FITTING BSPP TO JIC	2
13	014-1128	ORING WASHER	2

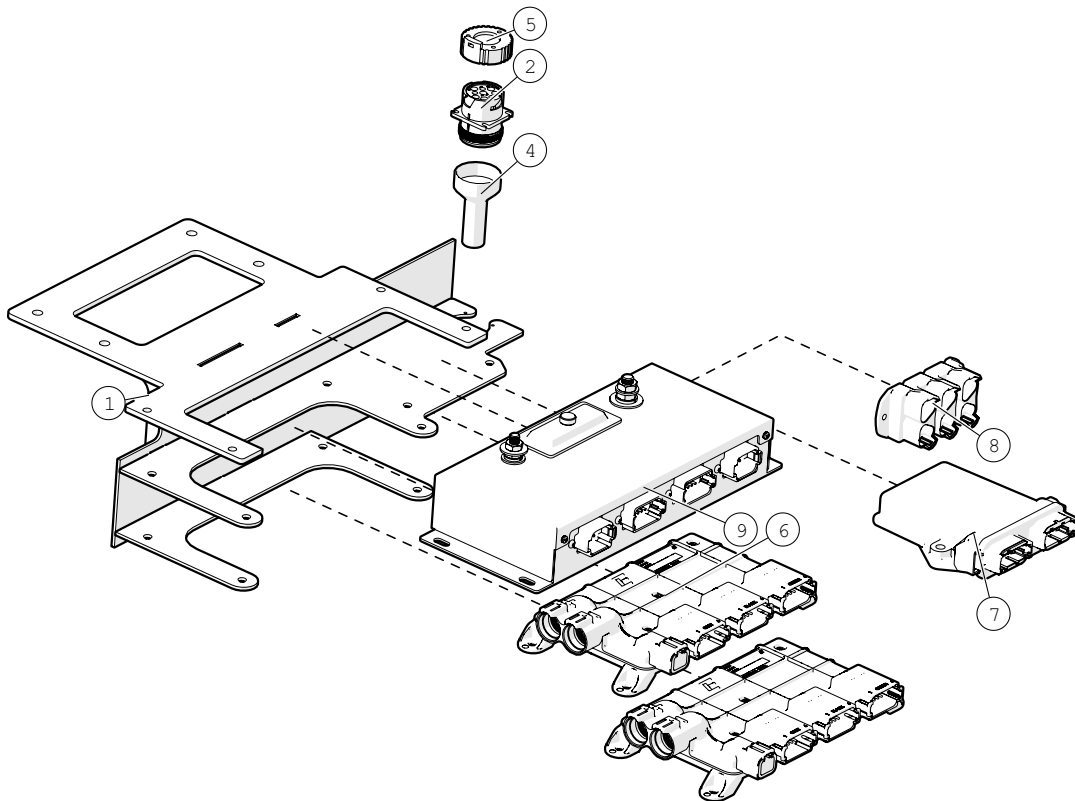
3.2 Fuse Panel



Fuse Panel

BOM ID	PART NUMBER	DESCRIPTION	Qty
1	020-1150	4 MIDI FUSE PDM, 60 VDC, MAX 600A	1
2	092-414050	1860B AIR FILTER / FUSE BRACKET WELDMENT	1
3	020-0874	SWITCH, 100A	3

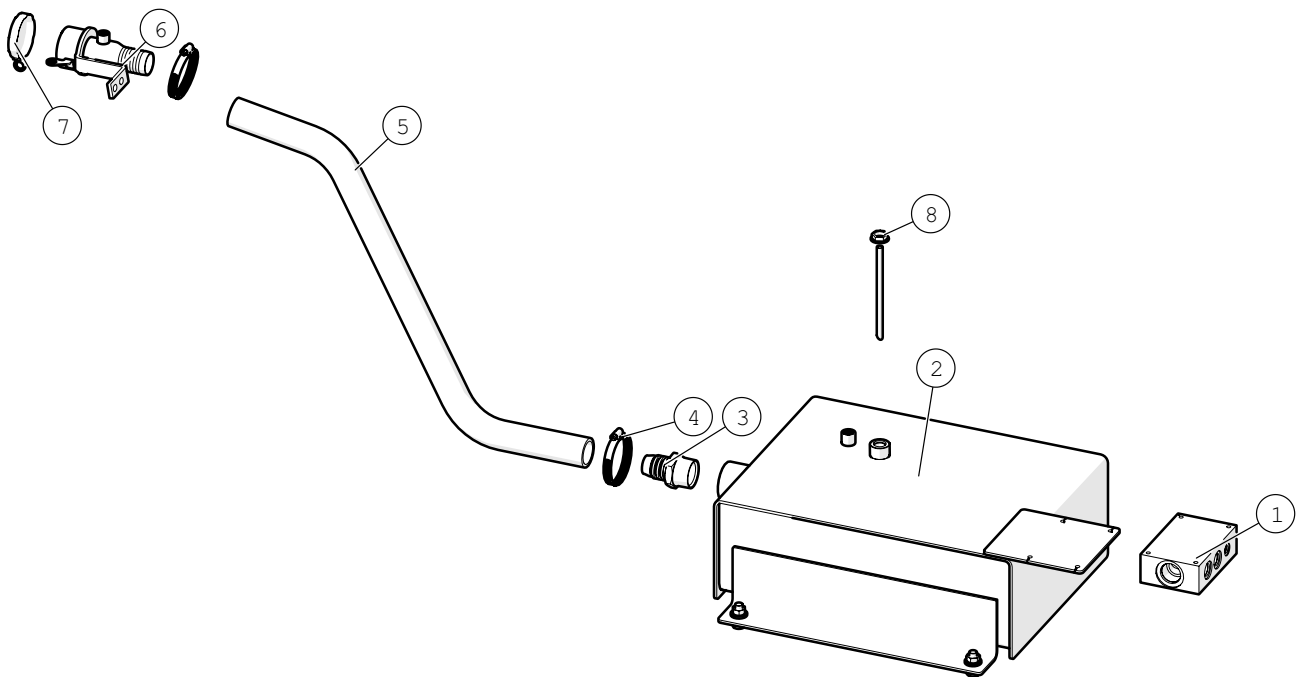
3.3 PDM Tower Assembly



PDM Tower Assembly

BOM ID	PART NUMBER	DESCRIPTION	Qty
1	092-421030	TRACTOR ELECTRONICS BRACKET WELDMENT	1
2	020-0841	9-PIN FLANGED RECEPTACLE	1
4	020-0901	BOOT RECEPTACLE HD	1
5	020-0903	CAP RECEPTACLE	1
6	020-0716	POWER DISTRIBUTION MODULE	2
7	020-0904	GENERATOR/TRACK DRIVE MODULE	1
8	020-1034	CAN BUS SPLITTER	1
9	020-0907	AFTERTREATMENT RELAY MODULE	1

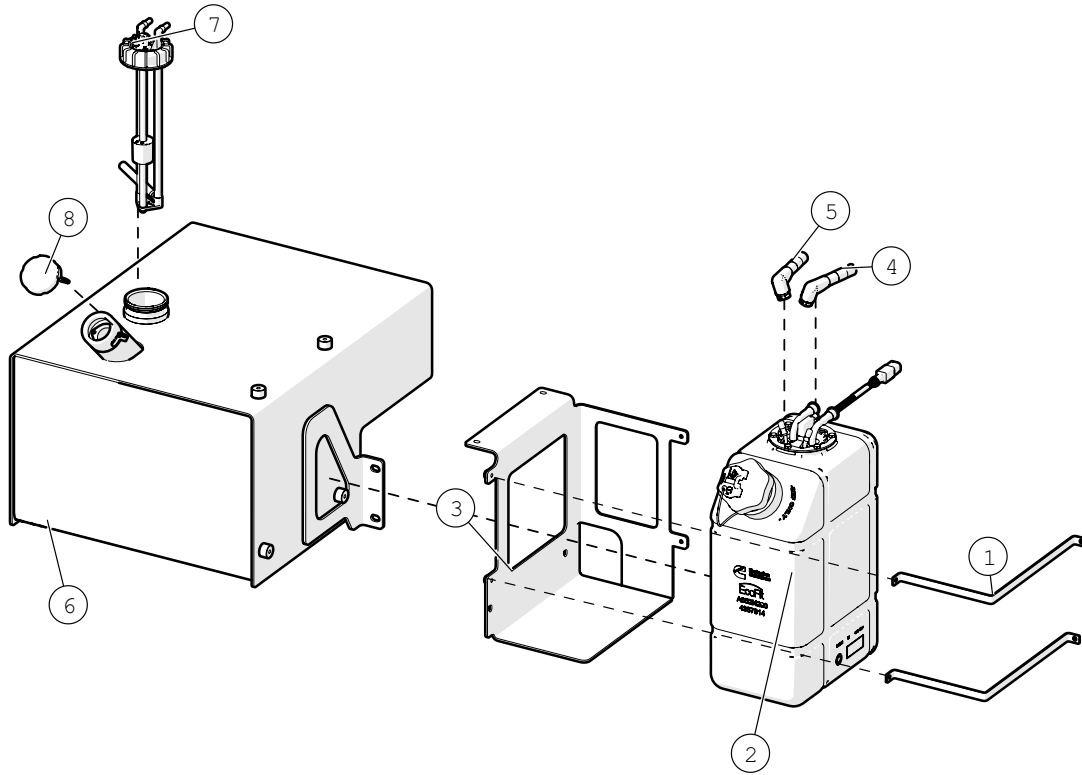
4 Wash Down Tank



Wash Down Tank

BOM ID	PART NUMBER	DESCRIPTION	Qty
1	093-414197	CASE DRAIN MANIFOLD BLOCK	1
2	092-421080	WASHDOWN TANK WELDMENT	1
3	014-0657	HOSE BARB, 1-1/2" NPT MALE X 1-1/2" HOSE ID	1
4	050-0360	CLAMP	2
5	014-421080	WASHDOWN FILL HOSE, 7219-EZ	1
6	092-414952	WASHDOWN FILL WELDMENT	1
7	050-0522	DIESEL FILL NECK CAP W/ LOCK TAB	1
8	019-414080	WASH DOWN TANK PICK-UP TUBE	1

5 Fuel Tank and DEF TANK

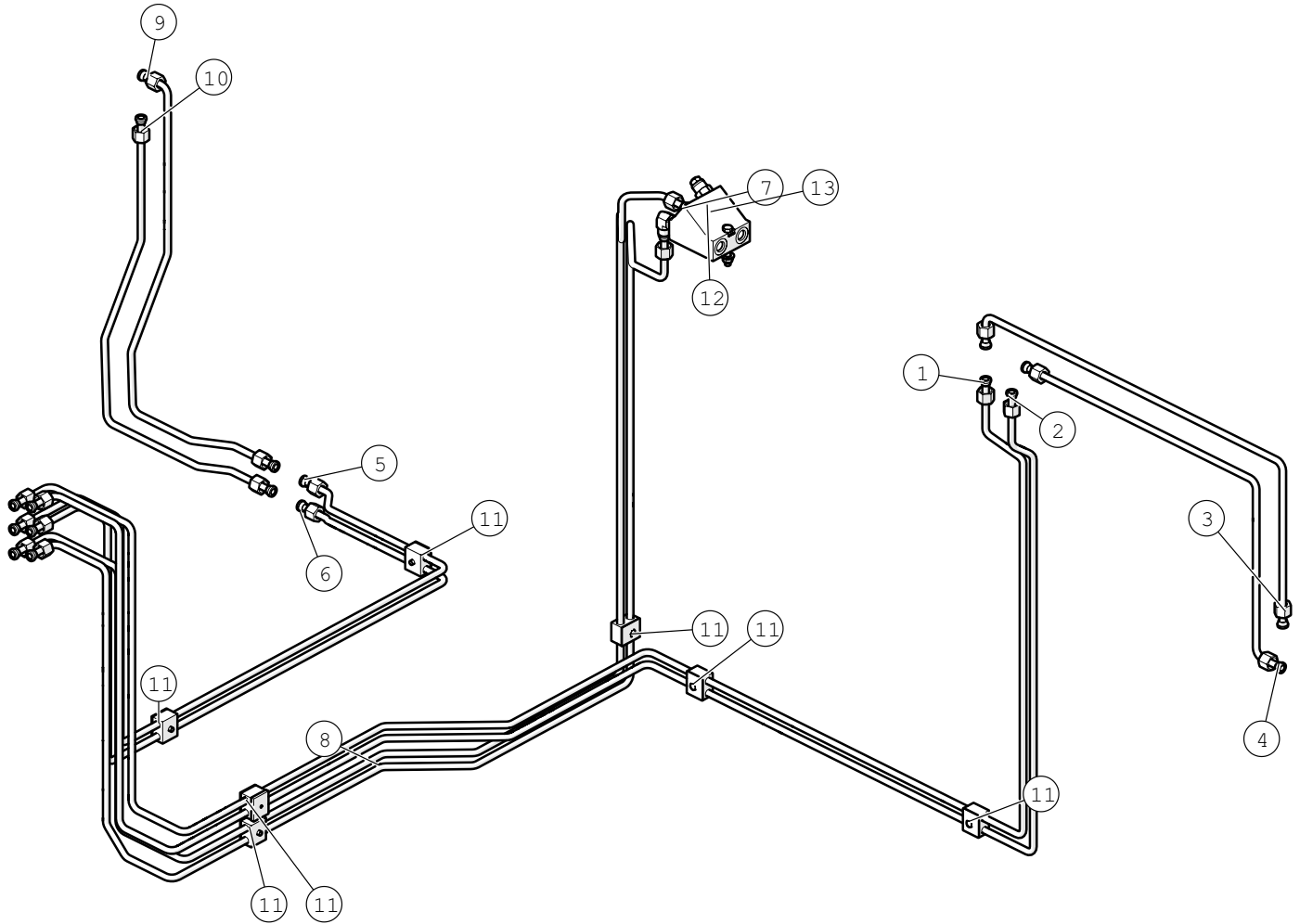


Fuel Tank and Def Tank

BOM ID	PART NUMBER	PART DESCRIPTION	Qty
1	093-414098	DEF TANK STRAP	2
2	010-0828	DEF TANK, 5 GAL	1
3	093-414096	DEF TANK BRACKET	1
4	010-0782	DEF TANK RETURN LINE	1
5	010-0781	DEF TANK SUCTION LINE	1
6	092-414090	FUEL TANK WELDMENT	1
7	020-1374	FUEL LEVEL SENDING UNIT	1
8	050-0522	DIESEL FILL NECK CAP W/ LOCK TAB	1

6 Hydraulic Tubes

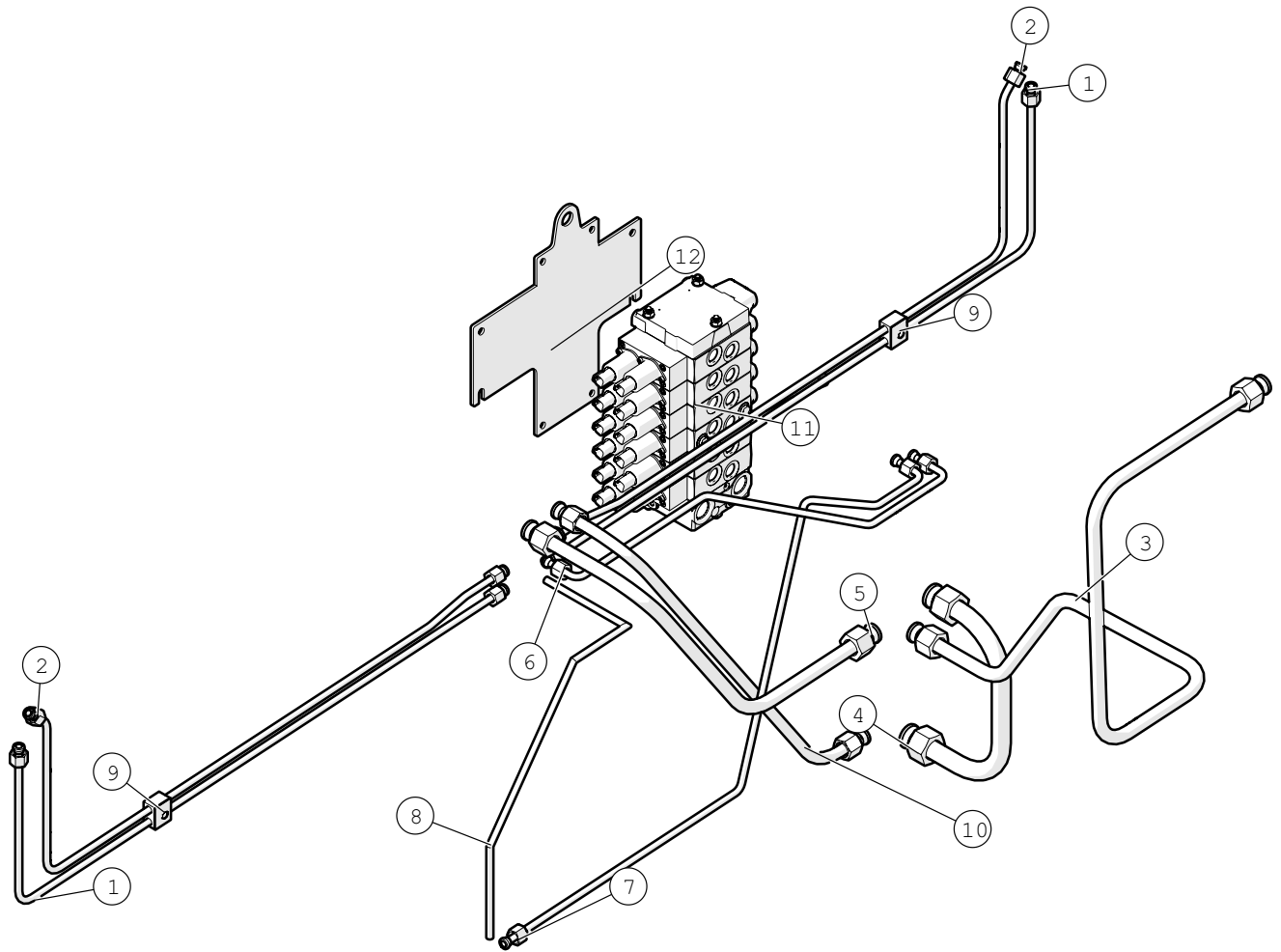
6.1 Hopper & Tow Points



**Hopper and Tow Point
Hydraulic Tubes**

BOM ID	PART NUMBER	DESCRIPTION	Qty
1	014-421191	TOW POINT, RIGHT, RETRACT, VB TO BH, 0.38" TUBE	1
2	014-421192	TOW POINT, RIGHT, EXTEND, VB TO BH, 0.38" TUBE	1
3	014-421193	TUBE, TOW POINT, RETRACT, BH TO BH, 0.38" TUBE	1
4	014-421194	TUBE, TOW POINT, EXTEND, BH TO BH, 0.38" TUBE	1
5	014-421195	TUBE, TOW POINT, LEFT, RETRACT, VB TO BH, 0.38" TUBE	1
6	014-421196	TUBE, TOW POINT, LEFT, EXTEND, VB TO BH, 0.38" TUBE	1
7	014-421197	TUBE, HOPPER, CLOSE, 0.38" TUBE	1
8	014-421198	TUBE, HOPPER, OPEN, 0.38" TUBE	1
9	014-421199	TUBE, TOW POINT, LEFT, RETRACT, BH TO BH, 0.38" TUBE	1
10	014-421200	TUBE, TOW POINT, LEFT, EXTEND, BH TO BH, 0.38" TUBE	1
11	1095-95-PP	3/8" TWIN TUBE CLAMP	7
12	017-0261	COUNTERBALANCE VALVE CARTRIDGE	1
13	017-0263	INLINE CROSS PILOT VALVE BLOCK	1

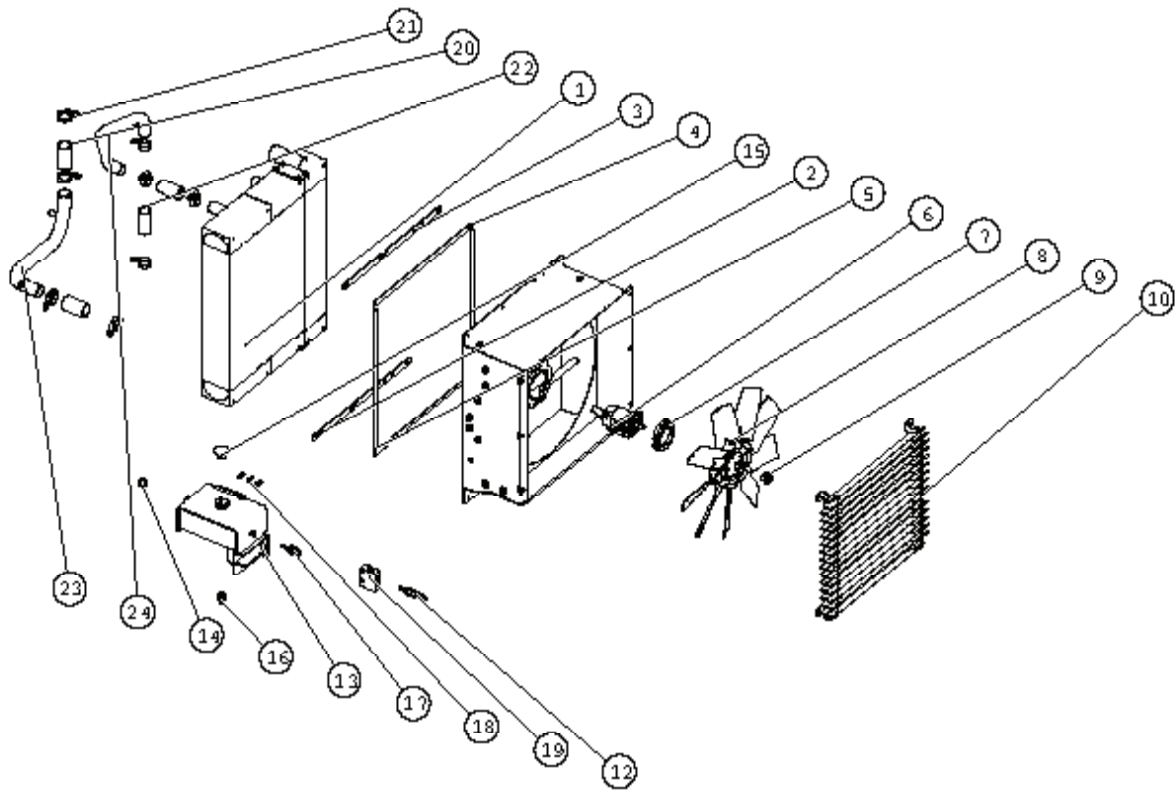
6.2 Screed Lift & Valve Bank



Screed Lift & Valve Bank

BOM ID	PART NUMBER	DESCRIPTION	Qty
1	014-414110	SCREED CYLINDER, BRANCH, LOWER, 0.38" TUBE	2
2	014-414112	SCREED CYLINDER, BRANCH, RAISE, 0.38" TUBE	2
3	014-421186	VALVE BANK TO SYSTEM FILTER, 3/4" TUBE	2
4	014-421187	VALVE BANK PRESSURE PORT TO TEE, 1.00" TUBE	1
5	014-421188	VALVE BANK TO TANK BULK-HEAD, 0.75" TUBE	1
6	014-421189	SCREED CYLINDER, COMMON, LOWER, 0.38" TUBE	1
7	014-421190	SCREED EXTEND BYPASS, 0.38" TUBE	1
8	tube screed retract to manifold		1
9	1095-95-PP	3/8" TWIN TUBE CLAMP	2
10	014-421205	TUBE, TEE TO TRACTOR BULK-HEAD	1
11	017-1092	TRACTOR VALVE BANK	1
12	093-421187	VALVE BANK BRACKET	1

7 Cooler and Fan Package

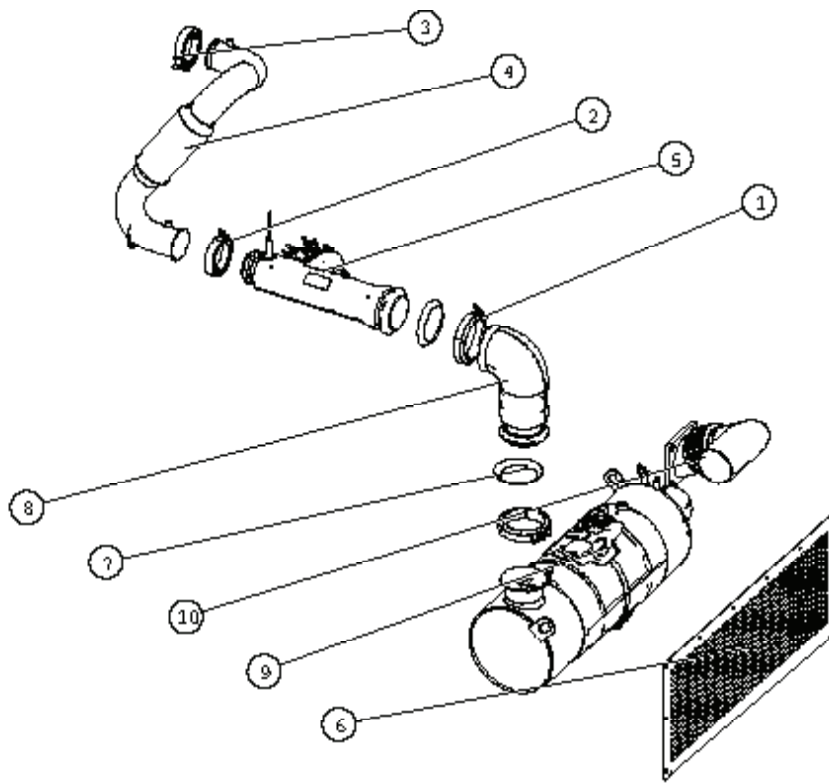


Cooler and Fan Package

BOM ID	Part Number	Description	Qty
1	050-0818	RADIATOR/OIL/AIR COOLING CORE	1
2	093-414338	FAN SHROUD GASKET SPACER	2
3	093-414338	FAN SHROUD GASKET SPACER	2
4	050-414100	TRIM-LOK	2
5	050-0861	TRIM-LOK EPDM TRIM SEAL	2
6	017-0103	FAN MOTOR	1
7	093-408336	RADIATOR FAN MOTOR ADAPTOR PLATE	1
8	010-408330	FAN	1
9	018-0125	BUSHING	1
10	092-408360	WELDMENT FAN LOUVERS	1
11	092-408330	FAN SHROUD WELDMENT	1
12	017-0198	COUNTERBALANCE VALVE CARTRIDGE	1
13	092-414360	DEAERATION TANK WELDMENT	1
14	060-0068	SIGHT GLASS	1
15	010-0574	RADIATOR COOLANT TANK CAP	1
16	019-0258	HOSE BARB BRASS	1
17	020-0832	COOLANT LEVEL SENSOR	1
18	014-1096	HOSE BARB	3
19	017-0197	COUNTERBALANCE VALVE BLOCK	1
20	010-0581	HOSE	2
21	010-0582	CLAMP	8
22	010-0605	HOSE	2
23	093-414004	TUBE COOLANT- RADIATOR TO ENGINE	1
24	093-414005	TUBE COOLANT - ENGINE TO RADIATOR	1

8 Power Train Assembly and Components

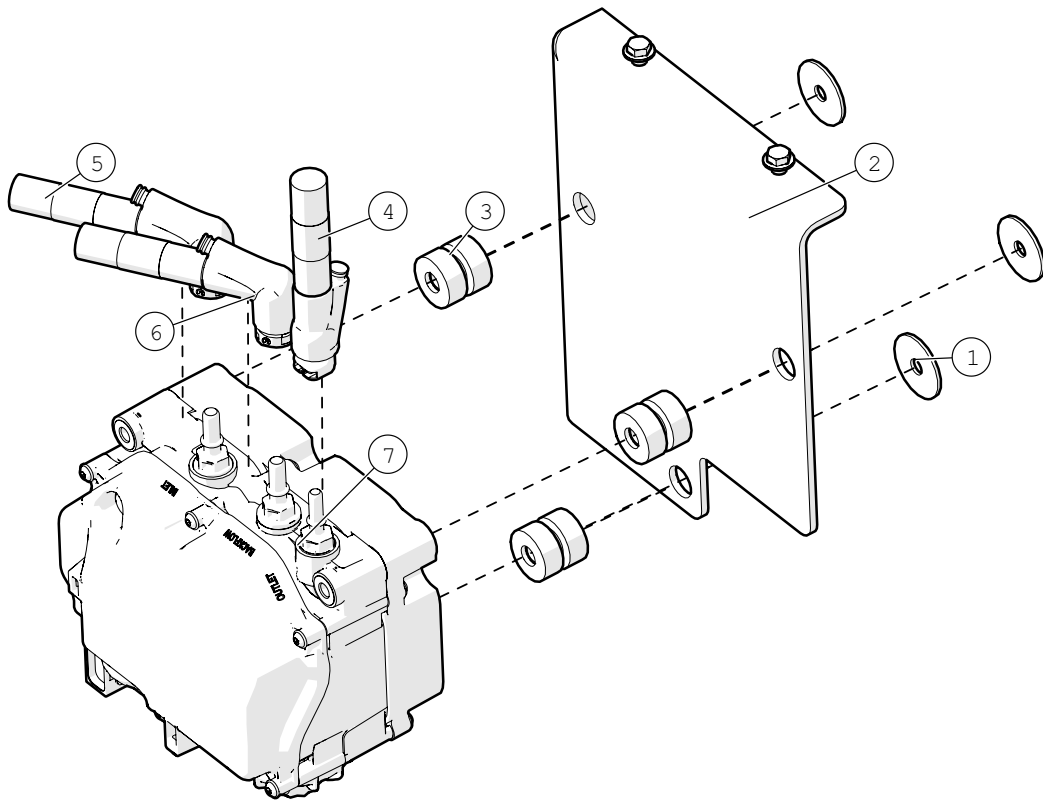
8.1 Exhaust and SCR



Exhaust and SCR

BOM ID	Part Number	Description	Qty
1	010-0591	CLAMP V-BAND	2
2	010-0593	CLAMP V-BAND	1
3	010-0786	CLAMP V-BAND	1
4	092-414010	TURBO DOWNPIPE	1
5	010-0587	DECOMPOSITION REACTOR TUBE	1
6	093-414014	SCR ACCESS PANEL	1
7	010-0592	GASKET V-BAND 4"	2
8	010-0586	ELBOW AFTERTREATMENT	1
9	010-0583	SELECTIVE CATALITIC REDUCTION	1
10	092-414007	SCR OUTLET	1

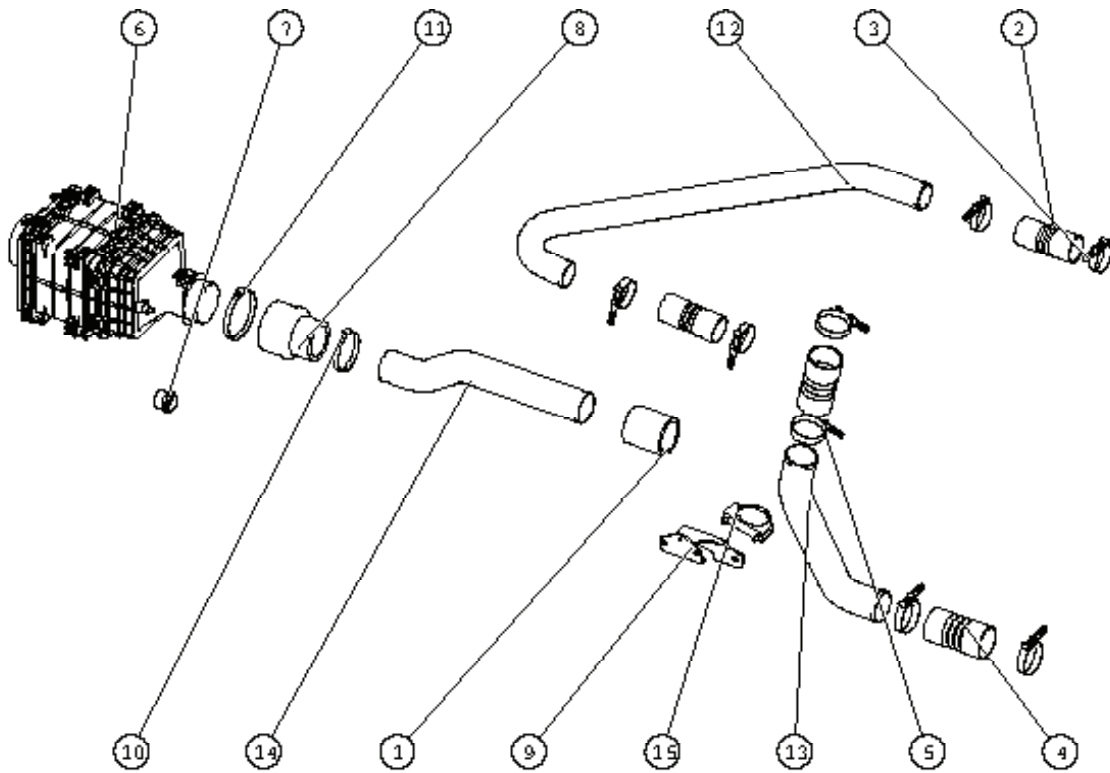
8.2 DEF Injection Unit



DEF Injection Unit

BOM ID	PART NUMBER	DESCRIPTION	Qty
1	050-0860	SNUBBING WASHER	3
2	092-414058	DEF SUPPLY MODULE BRACKET WELDMENT	1
3	050-0859	VIBRATION MOUNT, UNIVERSAL - YELLOW	3
4	010-0780	DEF PRESSURE LINE	1
5	010-0781	DEF SUCTION LINE	1
6	010-0782	DEF RETURN LINE	1
7	010-0589	DEF SUPPLY MODULE	1

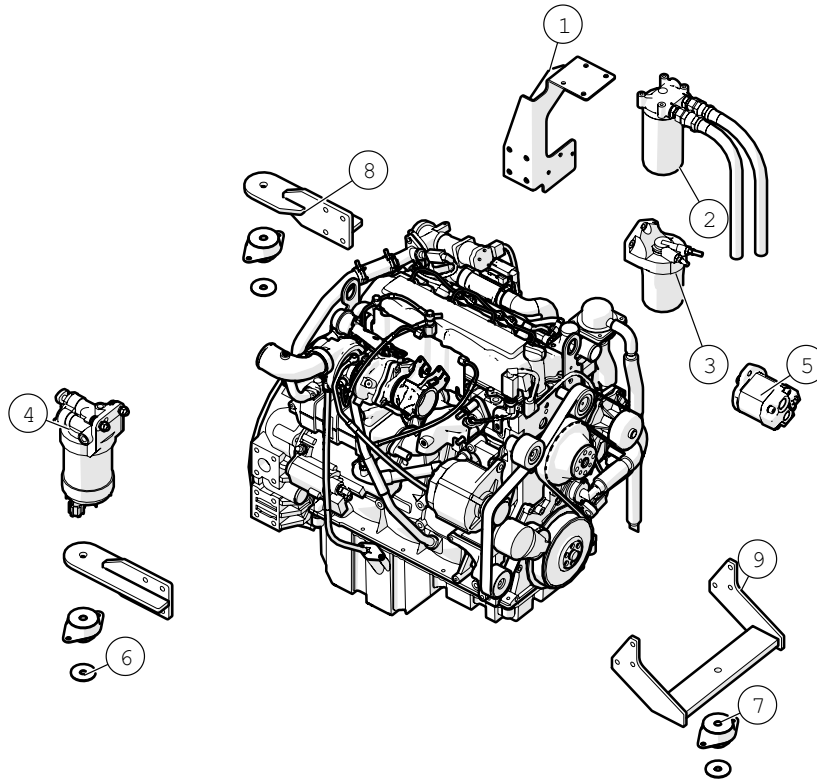
8.3 Engine Air Intake



Engine Air Intake

BOM ID	Part Number	Description	Qty
1	010-0569	SILICONE HOSE CONNECTOR	1
2	010-0601	CHARGE AIR HOSE HOT SIDE	2
3	010-0602	CLAMP T-BOLT SPRING	4
4	010-0603	CHARGE AIR HOSE COLD	2
5	010-0604	CLAMP T-BOLT SPRING	4
6	010-0607	AIR CLEANER FRONT INLET REAR OUT-LET	1
7	010-0608	AIR RESTRICTOR INDICATOR	1
8	010-0609	HUMP HOSE REDUCER	1
9	010-414008	COLD PIPE BRACKET	1
10	050-204001	CLAMP HOSE	1
11	050-204002	CLAMP T-BOLT HOSE	1
12	093-414002	CHARGE AIR TUBE HOT SIDE	1
13	093-414003	CHARGE AIR TUBE COLD SIDE	1
14	093-414006	TUBE AIR INTAKE - AIR CLEANER TO TURBOCHARGER	1
15	050-0862	U BOLT CLAMP	1

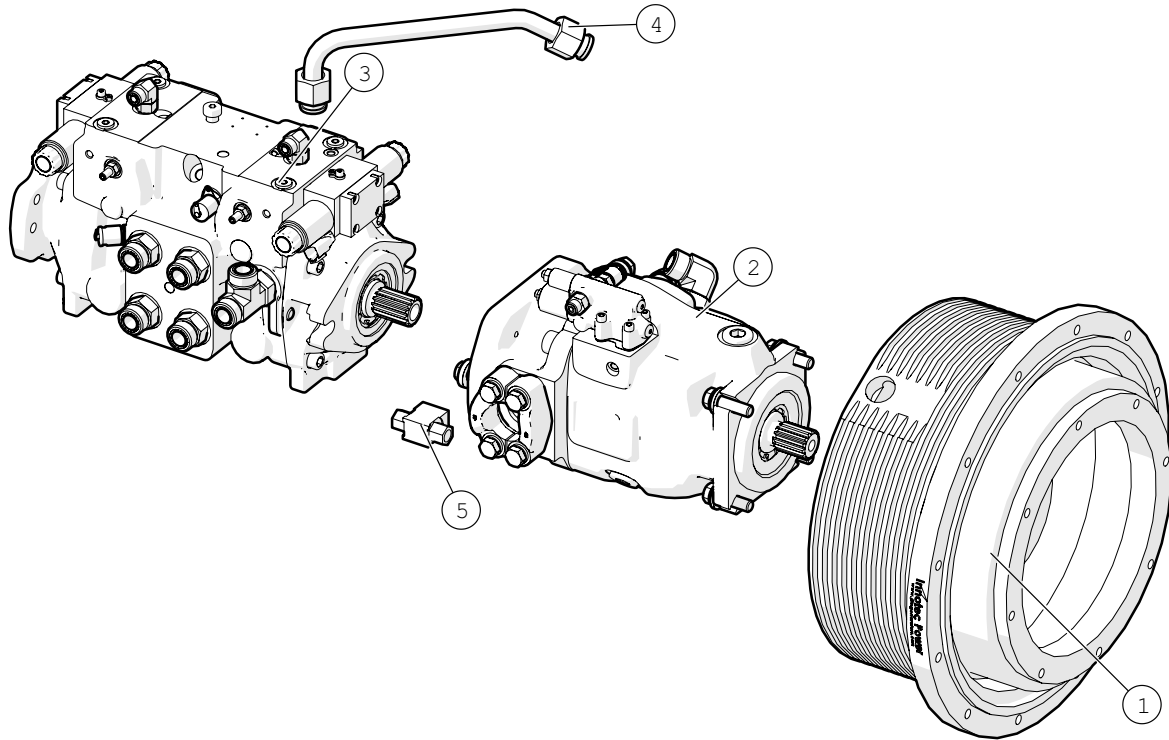
8.4 Engine



Engine

BOM ID	PART NUMBER	DESCRIPTION	Qty
1	092-414514	FUEL/LUBE OIL FILTER BRACKET WELDMENT	1
2	021-0243	OIL FILTER	1
3	021-0246	FUEL FILTER	1
4	021-0247	FUEL FILTER	1
5	011-0158	AUX GEAR PUMP, REAR PORTED	1
6	010-0599	SNUBBING WASHER	3
7	010-0606	VIBRATION MOUNT RED	3
8	092-414198	ENGINE MOUNT WELDMENT, REAR	2
9	092-414194	ENGINE MOUNT WELDMENT, FRONT	1

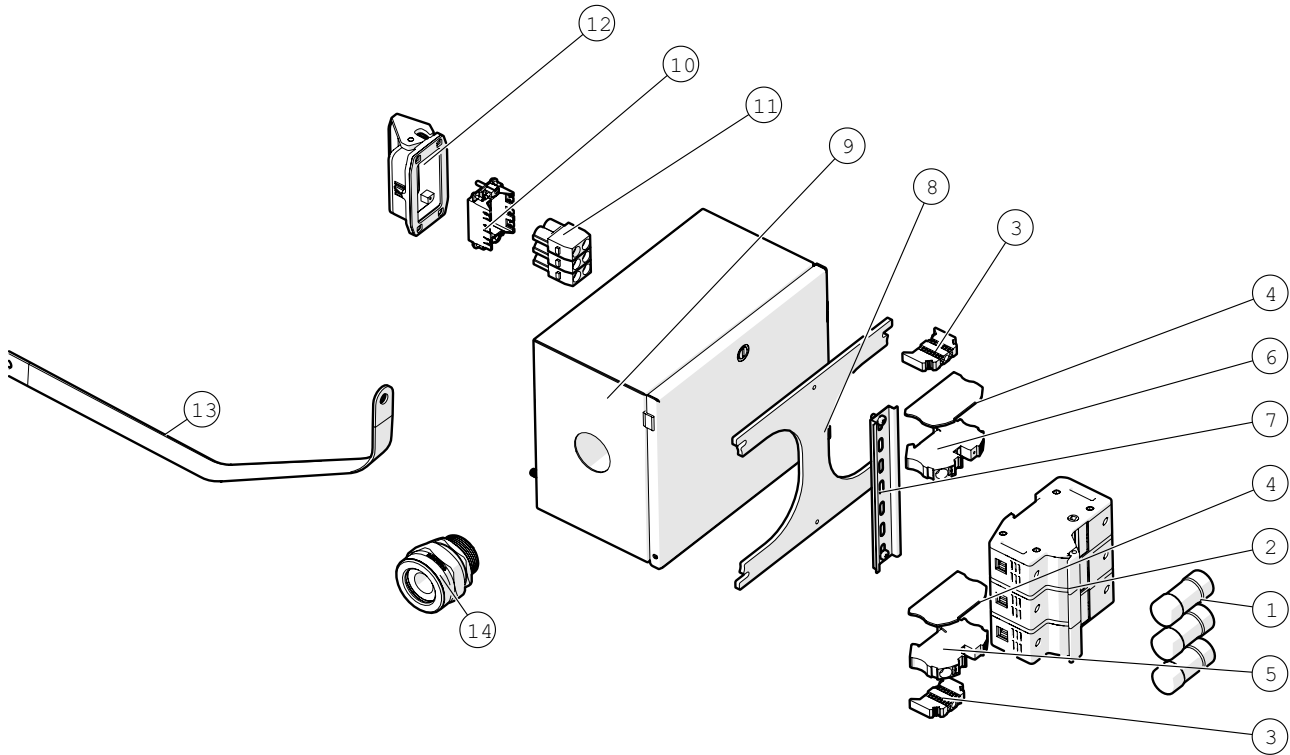
8.5 Generator and Hydraulic Pumps



Generator

BOM ID	PART NUMBER	DESCRIPTION	Qty
1	020-1110	GENERATOR	1
2	011-0279	PUMP IMPLEMENTS	1
3	011-0254	TANDEM DRIVE PUMP	1
4	014-414116	HYDRAULIC TUBE, PUMP CASE DRAINS	1
5	017-0295	STEEL SHUTTLE T VALVE	1

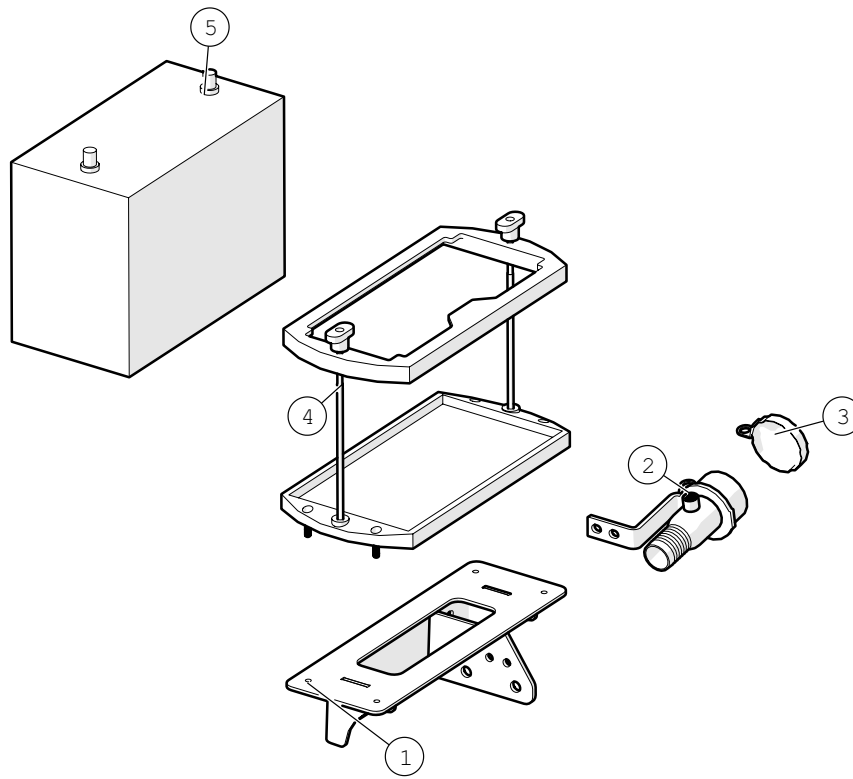
8.6 Generator Fuse Box



Generator Fuse Box

BOM ID	PART NUMBER	PART NAME	QTY.
1	020-1182	FUSE	3
2	020-1209	FUSE HOLDER 3-POLE	1
3	020-1004	END CLAMP DIN RAIL	2
4	020-1155	END COVER	2
5	020-1164	FEED-THROUGH TERMINAL BLOCK	1
6	020-1165	GROUND MODULAR TERMINAL BLOCK	1
7	020-421160	DIN RAIL	1
8	020-421158	DIN RAIL MOUNTING PLATE	1
9	020-421152	GENERATOR FUSE BOX	1
10	020-1183	MODULE CARRIER FRAME	1
11	020-1184	CONTACT INSERT MODULE	3
12	020-1185	HOUSING	1
13	020-1066	GROUND STRAP, BRAIDED, 18IN	1
14	020-1204	STRAIN RELIEF	1

8.7 Battery Enclosure

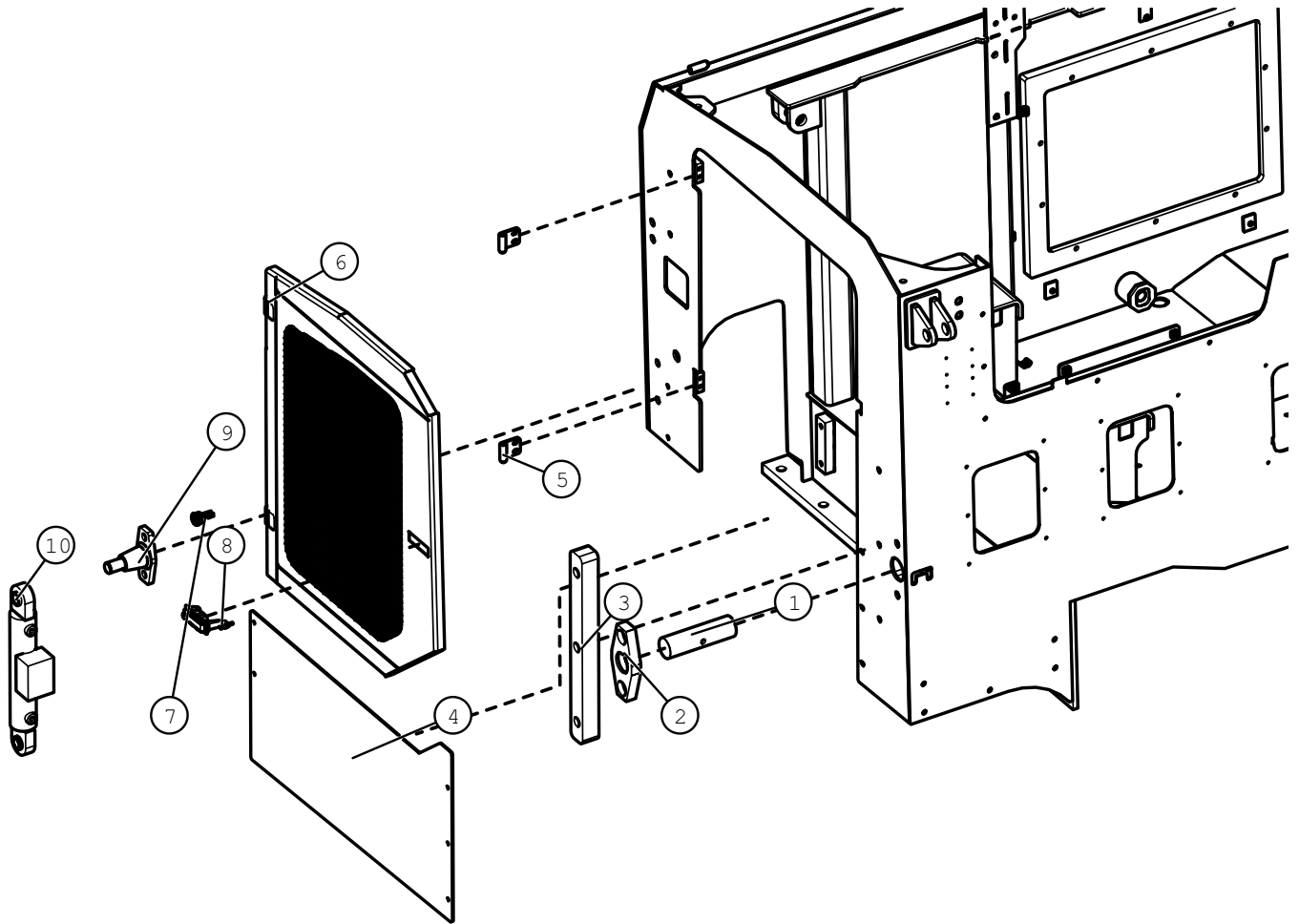


Battery Enclosure

BOM ID	PART NUMBER	DESCRIPTION	Qty
1	092-414054	BATTERY BRACKET WELDMENT	1
2	092-414952	WASHDOWN FILL WELDMENT	1
3	050-0522	DIESEL FILL NECK CAP W/ LOCK TAB	1
4	050-0852	BATTERY HOLDER	1
5	See Descrip- tion	BATTERY, GROUP 31 AUTO POST	1

9 Engine Compartment Exterior

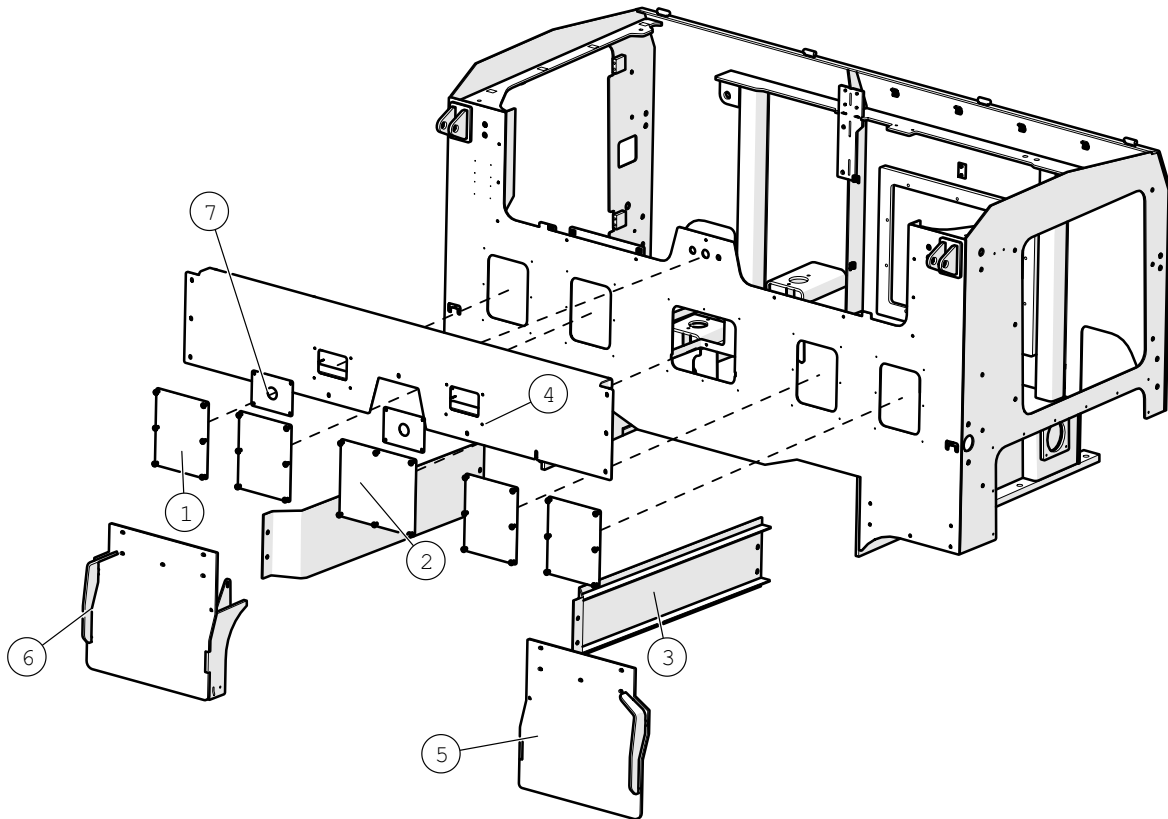
9.1 Left Hand Engine Compartment



**Left Hand Engine
Compartment**

BOM ID	PART NUMBER	DESCRIPTION	Qty
1	093-414062	SCREED ARM LOCK PIN	1
2	093-414822	SCREED LOCK PIN SUPPORT BOSS	1
3	093-414648	SCREED ARM RUB GUIDE	1
4	093-414015	LOWER LEFT TRACTOR ACCESS PANEL	1
5	092-414812	WELDMENT, TRACTOR DOOR HINGE FEMALE	2
6	092-414852	ENGINE SIDE ACCESS DOOR WELD- MENT	1
7	020-1074	SWITCH PUSH BUTTON WASHDOWN	1
8	050-0857	LATCH, LEVER	1
9	092-414064	WELDMENT, TOW CYLINDER MOUNT	1
10	012-414006	CYLINDER TOW POINT	1

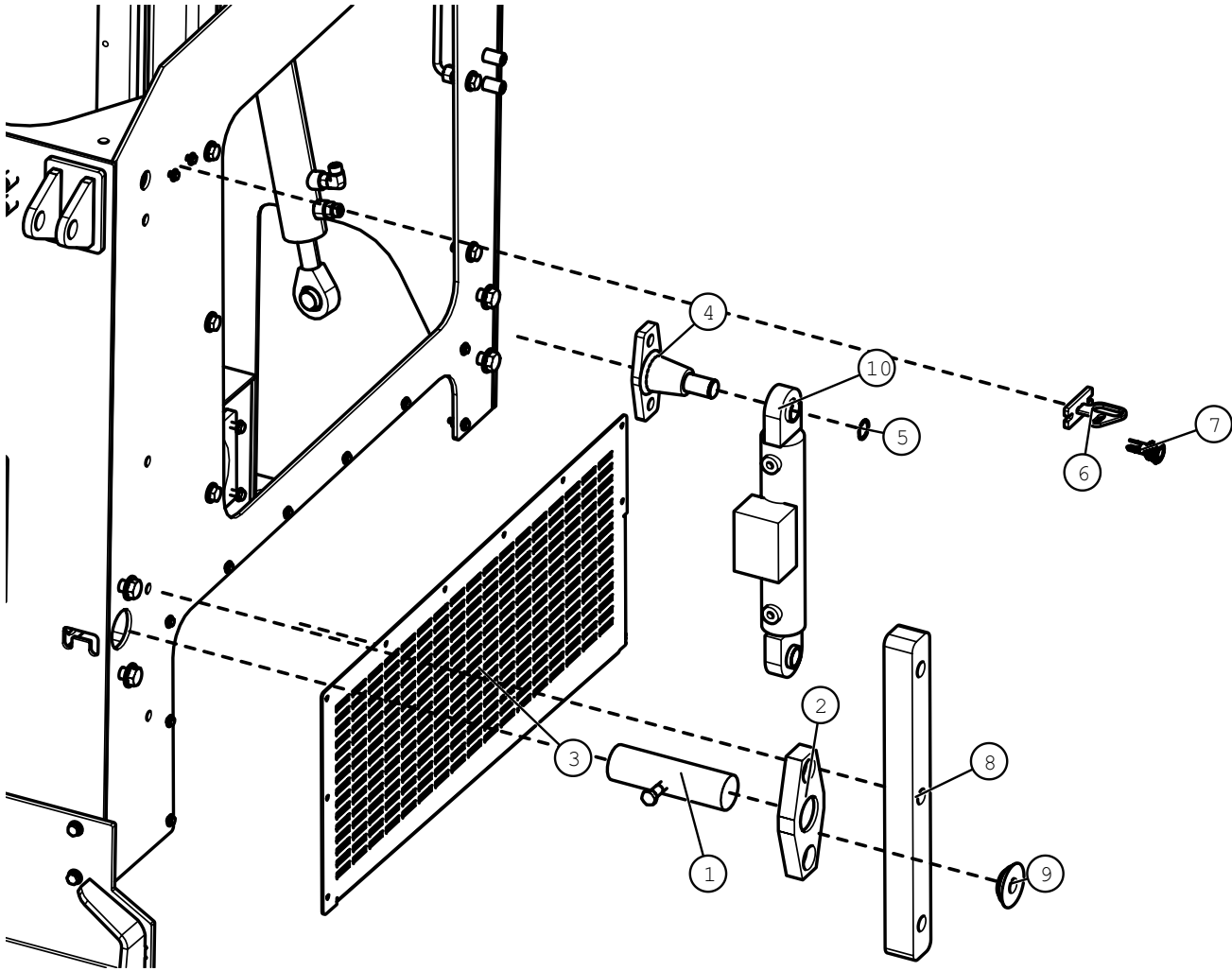
9.2 Rear Engine Compartment



**Rear Engine
Compaertment**

BOM ID	PART NUMBER	DESCRIPTION	Qty
1	093-414882	ACCESS BULKHEAD PANEL	4
2	093-421888	ACCESS PANEL	1
3	092-414510	WELDMENT, CONVEYOR COVER,	2
4	092-414868	REAR ENGINE MAIN ACCESS PANEL WELDMENT	1
5	092-421232	REAR SKIRT WELDMENT, RIGHT	1
6	092-421233	REAR SKIRT WELDMENT, LEFT	1
7	093-421886	TRACTOR/SCREED UMBILICAL BULKHEAD	2

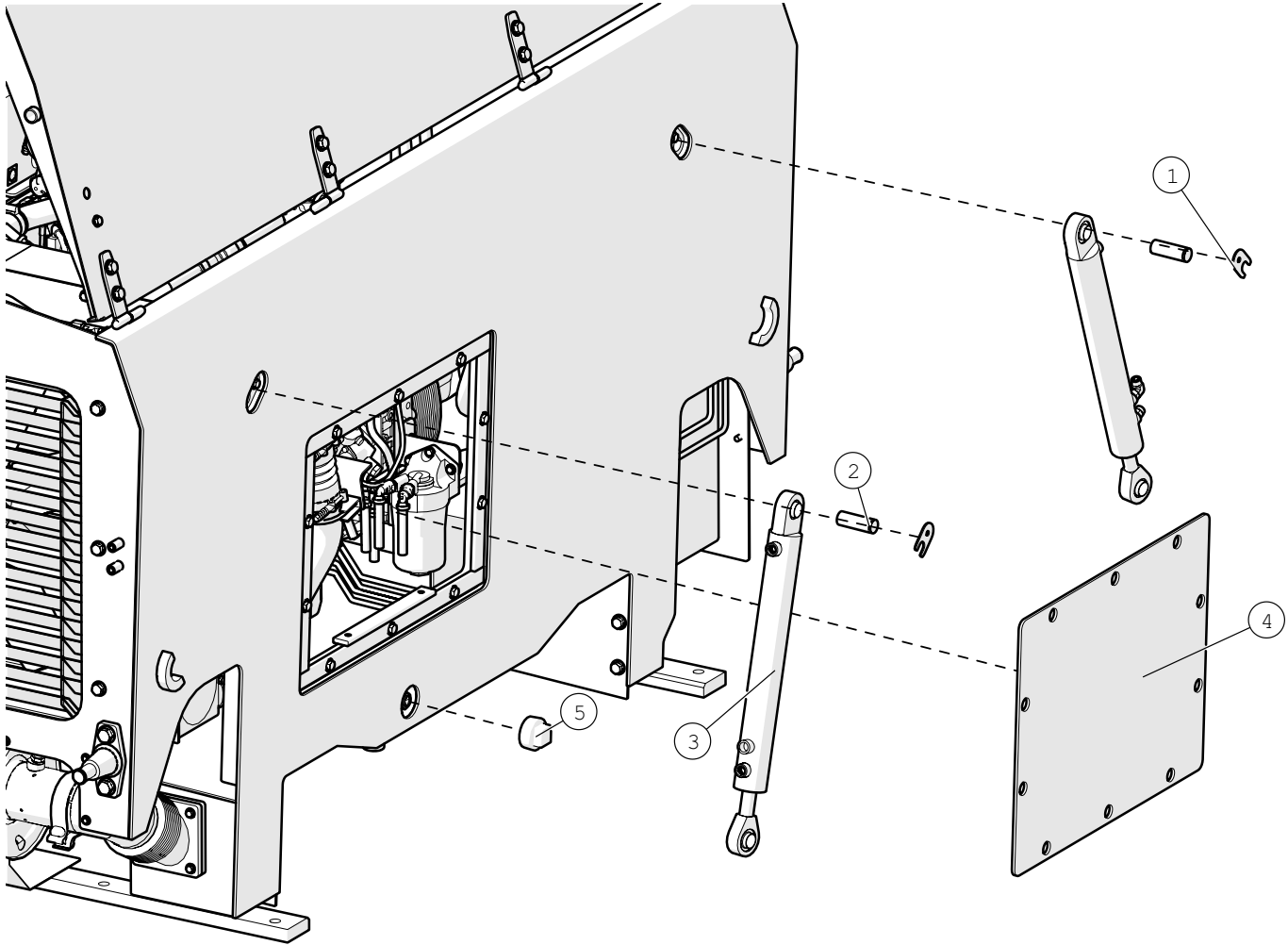
9.3 Right Hand Engine Compartment



**Right Hand Engine
Compartment**

BOM ID	PART NUMBER	DESCRIPTION	Qty
1	093-414062	SCREED ARM LOCK PIN	1
2	093-414822	SCREED LOCK PIN SUPPORT BOSS	1
3	093-414014	SCR ACCESS PANEL	1
4	092-414064	WELDMENT, TOW CYLINDER MOUNT	1
5	030-0558	EXTERNAL SPIRAL RETAINING RING	1
6	092-414175	WASHDOWN SPRAY NOZZLE HOLDER WELDMENT	1
7	020-1074	SWITCH PUSH BUTTON WASH-DOWN	1
8	093-414648	SCREED ARM RUB GUIDE	1
9	093-414063	SCREED ARM LOCK PIN	1
10	012-414006	TOW POINT CONTROL CYLINDER	1

9.4 Front Engine Compartment

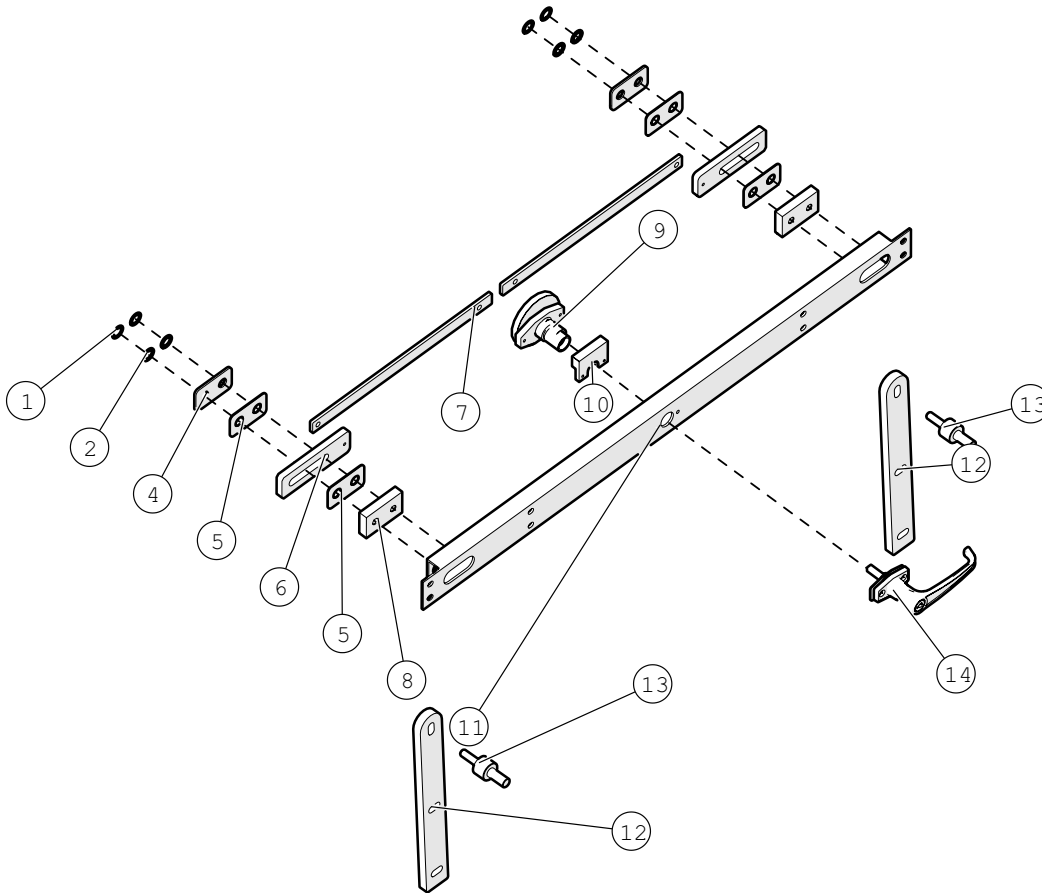


Front Engine Compartment

BOM ID	PART NUMBER	DESCRIPTION	Qty
1	093-414070	HOPPER CYLINDER PIN RETAINER	2
2	093-414068	HOPPER CYLINDER PIN	2
3	012-414002	WELDED CYLINDER W/ EXTERIOR OIL LINE	2
4	093-408460	ENGINE ACCESS PANEL PLATE	1
5	019-0193	OIL DRAIN ACCESS PLUG	1

10 Hood Assembly

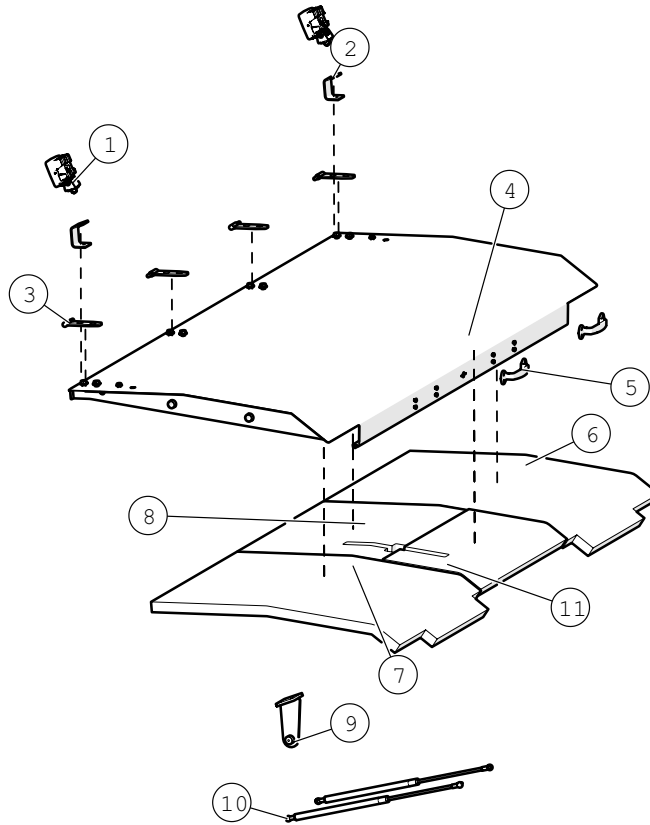
10.1 Hood Latch Assembly



Hood Latch Assembly

BOM ID	PART NUMBER	DESCRIPTION	Qty
1	050-0945	SHIM STEEL 0.015" THK	4
2	050-0947	SHIM STEEL 0.032" THK	4
3	050-0946	SHIM STEEL 0.062" THK	4
4	093-414451	DRAWBAR GUIDE COVER	2
5	093-414453	DRAWBAR UHMW GUIDE	4
6	093-414455	DRAWBAR	2
7	093-414417	HOOD LATCH DRAWBAR	2
8	093-414457	DRAWBAR GUIDE STANDOFF	2
9	092-414413	HOOD LATCH ROTARY	1
10	093-414419	HOOD DRAWBAR LATCH ROTARY DETENT CLIP	1
11	093-414411	DRAWBAR LATCH CARRIER	1
12	093-414861	LATCH STRIKER BOLT MOUNTING PLATE	2
13	093-414862	HOOD LATCH STRIKER BOLT	2
14	050-0918	HANDLE KEYED	1

10.2 Hood Structure

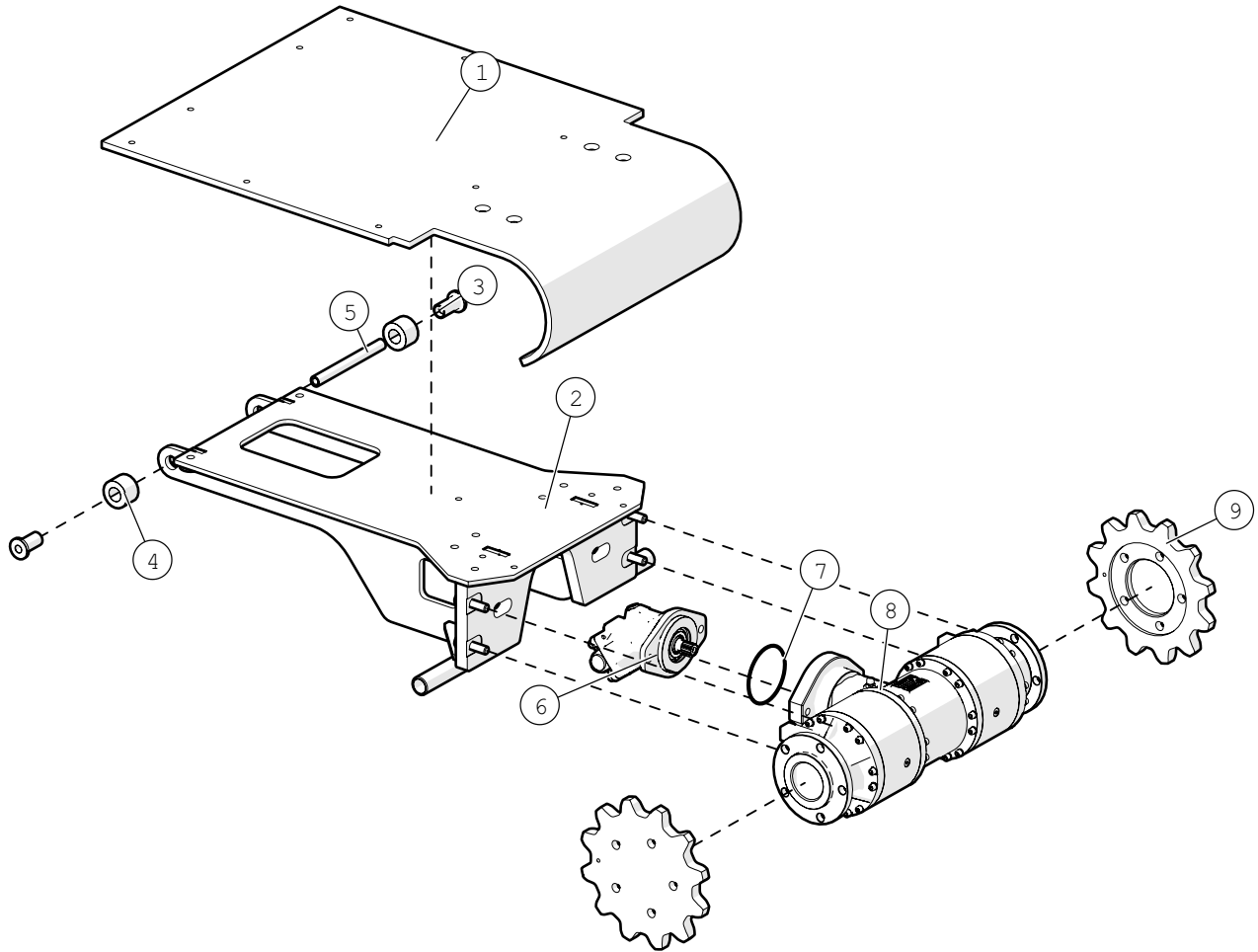


Hood Assembly

BOM ID	PART NUMBER	DESCRIPTION	Qty
1	020-0675	WORK LIGHT	2
2	093-414946	HOOD LIGHT BRACKET	2
3	092-204086	HOOD HINGE WELDMENT	4
4	092-414410	ENGINE COMPARTMENT HOOD WELDMENT	1
5	050-0205	CHROME GRAB HANDLE	2
6	027-421410	ACCOUSTIC INSULATION PANEL, RIGHT	1
7	027-421414	ACCOUSTIC INSULATION PANEL, LEFT	1
8	027-414412	ACCOUSTIC INSULATION PANEL, MIDDLE	1
9	092-414460	WELDMENT, HOOD STRUT MOUNT	1
10	050-0881	GAS STRUT	2

11 Conveyor Feed System

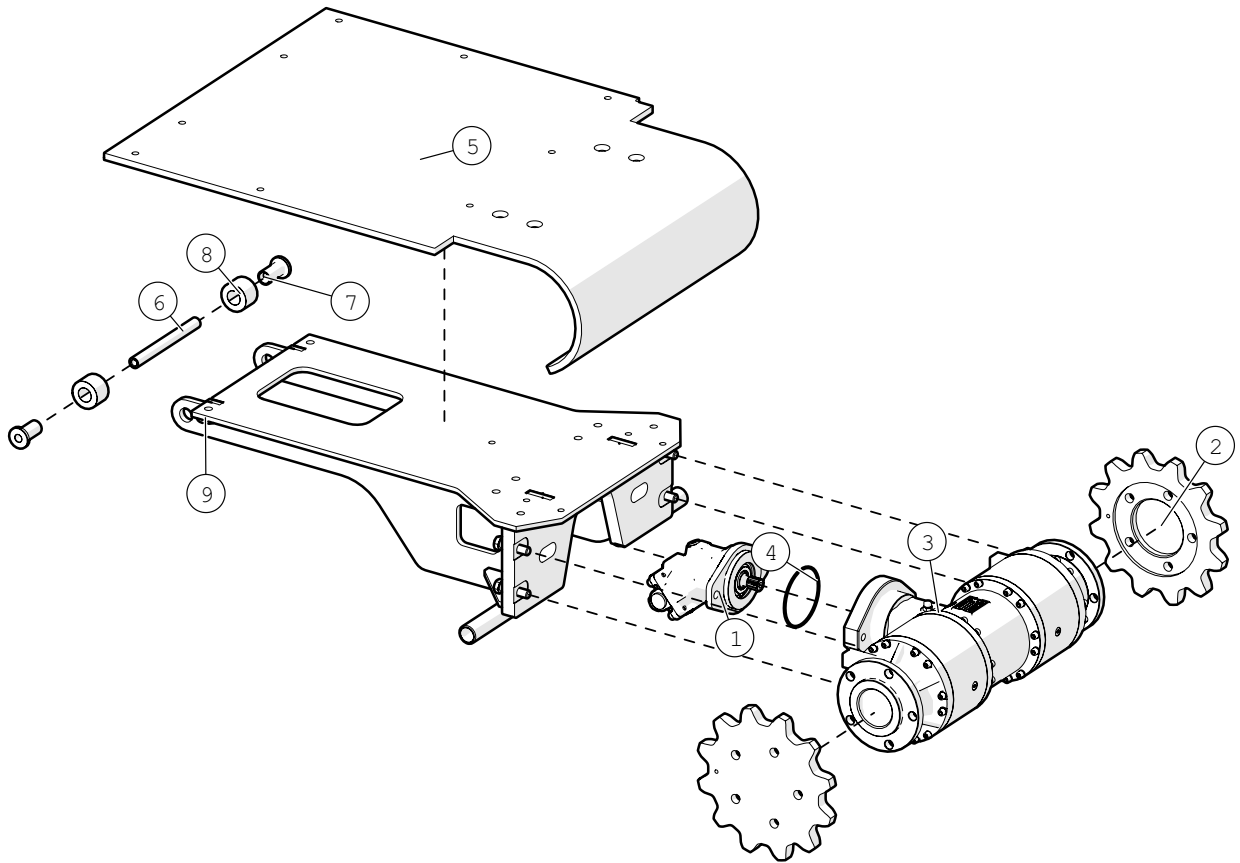
11.1 Conveyor Drive Right Hand



Conveyor Drive RH

BOM ID	PART NUMBER	DESCRIPTION	Qty
1	093-414680	CONVEYOR CURVED WEAR PLATE, RIGHT	1
2	092-421660	CONVEYOR DRIVE WELDMENT	1
3	093-414684	CONVEYOR LIFT AXLE BUSHING	2
4	093-414686	CONVEYOR LIFT AXLE SPACER	2
5	093-414682	CONVEYOR LIFT AXLE	1
6	013-0114	MOTOR, AXIAL PISTON	1
7	022-0333	O-RING	1
8	016-0070	CONVEYOR DRIVE GEARBOX	1
9	015-421610	CONVEYOR CHAIN DRIVE SPROCKET	2

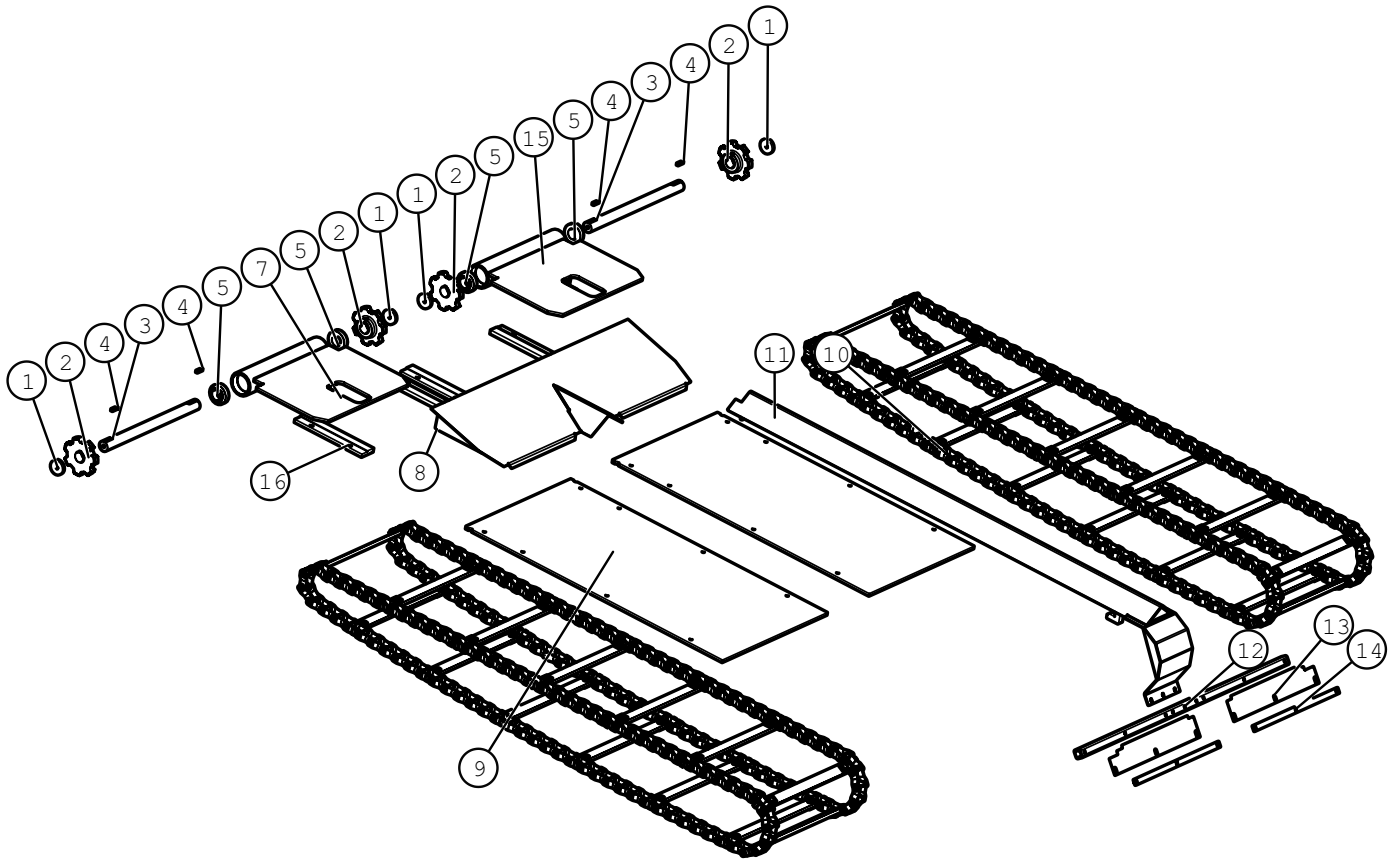
11.2 Conveyor Drive Left Hand



Conveyor Drive LH

BOM ID	PART NUMBER	DESCRTIPTION	Qty
1	013-0114	MOTOR	1
2	015-421610	CONVEYOR CHAIN DRIVE SPROCK- ET	2
3	016-0070	CONVEYOR DRIVE GEARBOX	1
4	022-0333	CONVEYOR DRIVE O-RING	1
5	093-414681	CONVEYOR CURVED WEAR PLATE LEFT	1
6	093-414682	CONVEYOR LIFT AXLE	1
7	093-414684	CONVEYOR LIFT AXLE BUSHING	2
8	093-414686	CONVEYOR LIFT AXLE SPACER	2
9	092-421660	CONVEYOR DRIVE WELDMENT	1

11.3 Conveyor Idler. Covers, and Flight Chain

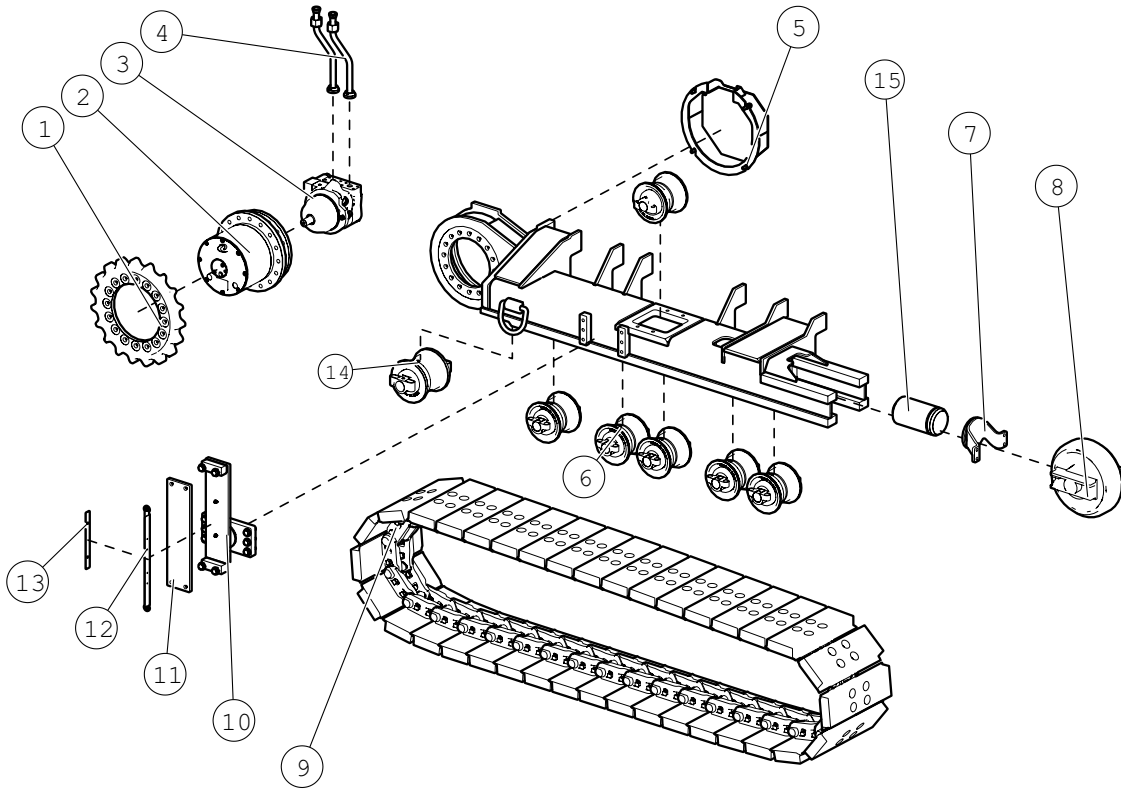


Conveyor Idler

BOM ID	PART NUMBER	DESCRIPTION	Qty
1	093-0339	SPROCKET RETAINER	4
2	015-0204	7 TOOTH SPROCKET	4
3	093-414618	CONVEYOR IDLER AXLE	2
4	093-0335	3/8" SQUARE KEY STOCK	4
5	018-0091	BEARING, CONVEYOR AXLE	4
7	092-414615	CONVEYOR TENSION WELDMENT, LEFT	1
8	092-414580	WELDMENT, FRONT CONVEYOR COVER	1
9	092-414602	CONVEYOR WEAR PLATE WELDMENT, FRONT	2
10	091-414600	CONVEYOR CHAIN ASSEMBLY	2
11	092-421560	CONVEYOR CENTER CHAIN COV- ER WELDMENT	1
12	093-421236	CONVEYOR SCRAPER MOUNTING BAR	1
13	093-421238	CONVEYOR SCRAPER	2
14	093-421237	CONVEYOR SCRAPER RETAINER	2
15	092-414614	CONVEYOR TENSION WELDMENT, RIGHT	1
16	093-414650	CONVEYOR ASSEMBLY GUIDE	4

12 Track Drive System

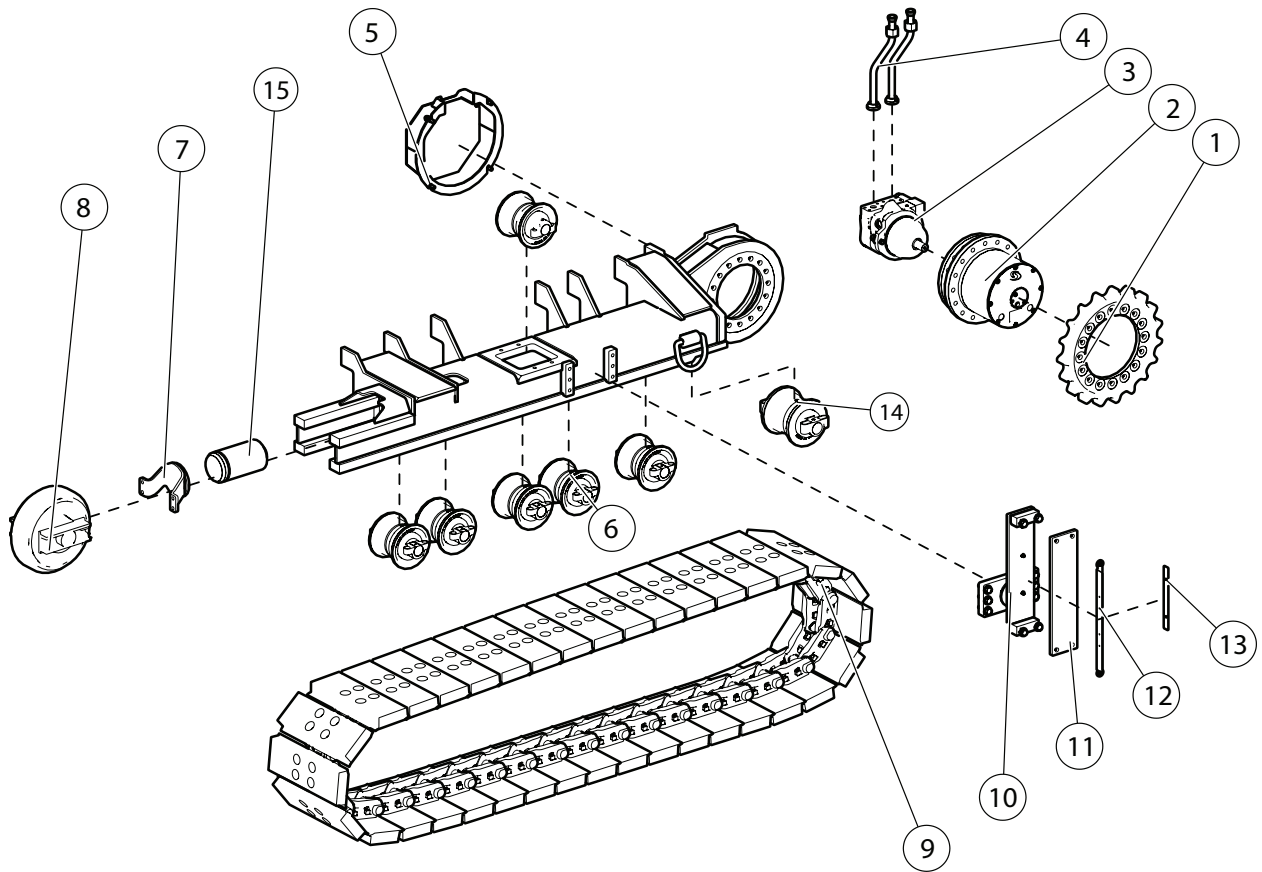
12.1 Right Hand Track Drive



Track Drive RH

BOM ID	Part Number	Description	Qty
1	015-0275A	TRACK DRIVE SPROCKET	1
2	016-0058	PLANETARY	1
3	011-0263	TRACK SYSTEM DRIVE MOTOR	1
4	014-414102	TUBE HYDRAULIC DRIVE MOTOR	2
5	092-204570	PLANETARY COVER WELDMENT	1
6	050-0257	UNDERCARRIAGE TRACK ROLLER SMALL	6
7	092-204524	TRACK TENSION CYLINDER PRESSURE PLATE WELDEMENT	1
8	050-0624	TRACK IDLER WHEEL ASSEMBLY	1
9	050-0895	TRACK PAD	36
10	092-414830	TOW ARM GUIDE MOUNT WELDMENT	1
11	093-414838	SCREED TOW ARM GUIDE CAPTIVE PLATE	1
12	093-414831	TOW POINT INDICATOR DECAL MOUNT	1
13	024-0229	TOW POINT DECAL	1
14	050-0163	UNDERCARRIAGE TRACK ROLLER LARGE	1
15	012-0060	TRACK TENSION CYLINDER	1

12.2 Left Hand Track Drive



Track Drive LH

BOM ID	Part Number	Description	Qty
1	015-0275A	TRACK DRIVE SPROCKET	1
2	016-0058	PLANETARY	1
3	011-0263	TRACK SYSTEM DRIVE MOTOR	1
4	014-414102	TUBE HYDRAULIC DRIVE MOTOR	2
5	092-204570	PLANETARY COVER WELDMENT	1
6	050-0257	UNDERCARRIAGE TRACK ROLLER SMALL	6
7	092-204524	TRACK TENSION CYLINDER PRES- SURE PLATE WELDEMENT	1
8	050-0624	TRACK IDLER WHEEL ASSEMBLY	1
9	050-0895	TRACK PAD	36
10	092-414830	TOW ARM GUIDE MOUNT WELDMENT	1
11	093-414838	SCREED TOW ARM GUIDE CAPTIVE PLATE	1
12	093-414831	TOW POINT INDICATOR DECAL MOUNT	1
13	024-0229	TOW POINT DECAL	1
14	050-0163	UNDERCARRIAGE TRACK ROLLER LARGE	1
15	012-0060	TRACK TENSION CYLINDER	1

13 Electrical Harnesses

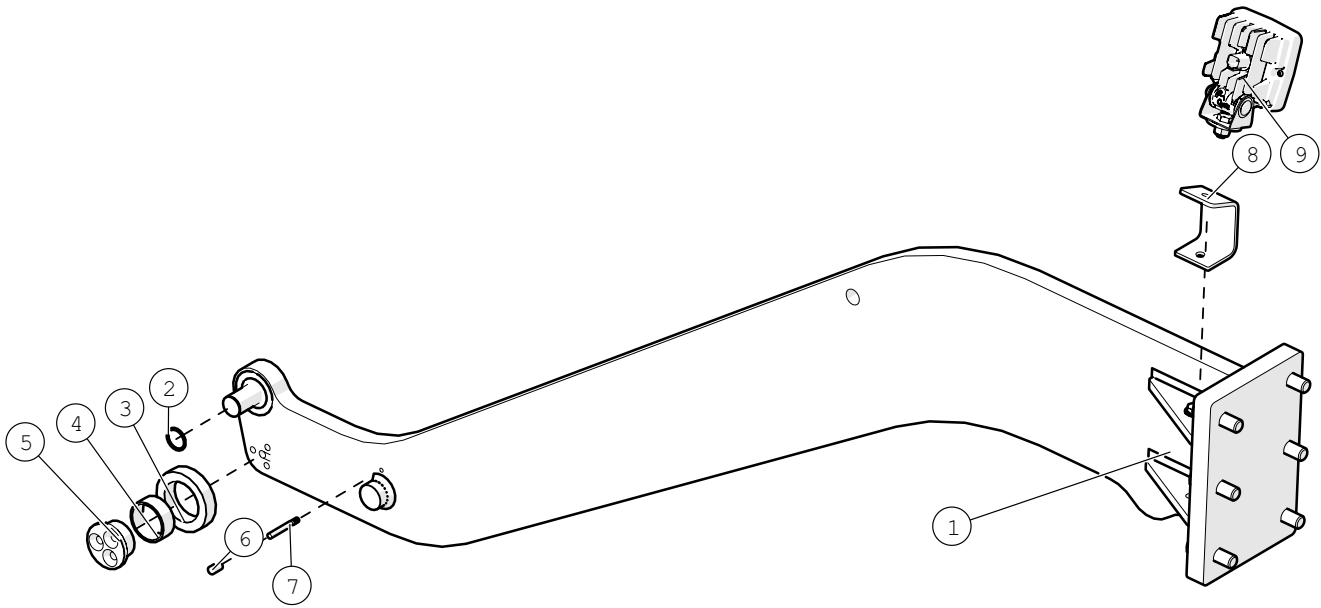
**This Page Left
Blank**

Electrical Harnesses

BOM	PART NUMBER	DESCRIPTION	QTY
1	020-421100	Tractor Valve Bank	1
2	020-421101	Tractor Control Umbilical	1
3	020-421102	Driveline Harness	1
4	020-421103	2 Speed RH Sub Harness	1
5	020-421104	2 Speed LH Sub Harness	1
6	020-421105	Washdown Harness	1
7	020-421106	Lighting Harness	1
8	020-421107	Fuse Panel Bundle	1
9	020-421108	Engine Harness	1
10	020-421251	Screed Control Umbilical	1
11	020-421252	Cross link Ops Panels	1
12	020-421253	Screed Valve Bank	1
13	020-421254	Screed Heat Control	1
14	020-421255	Screed Options Harness	optional
15	020-421256	Heat Umbilical	1
16	020-421257	Screed Light Harness	1
17	020-421280	RH Ext Heat Harness	1
18	020-421281	LH Ext Heat Harness	1
19	020-421296	Main Screed Heat Harness	1
20	020-421310	RH Sonic Sensor Harness	1
21	020-421311	LH Sonic Sensor Harness	1
22	020-421312	Vibrator Harness	1

14 Tow Arm Assemblies

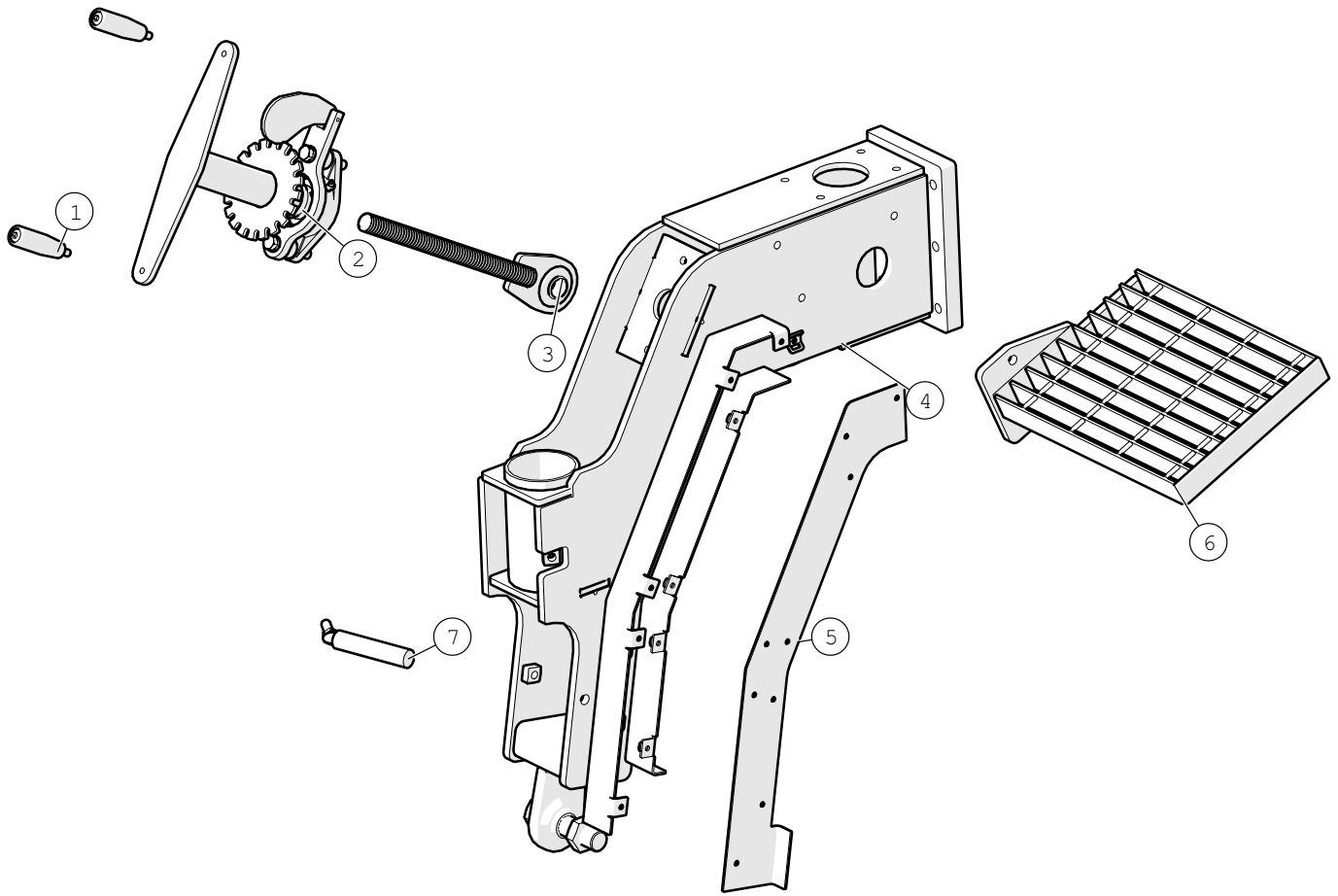
14.1 Left Front Tow Arm



Front Left Tow Arm

BOM ID	PART NUMBER	DESCRIPTION	Qty
1	112-421101	FRONT SCREED TOW ARM WELDE- MENT	1
2	030-0558	EXTERNAL SPIRAL RETAINING RING	1
3	113-118450	TOW POINT ROLLER	1
4	018-118400	TOW POINT BUSHING	1
5	113-118452	TOW POINT ROLLER AXLE	1
6	050-0885	TOW POINT INDICATOR CAP	1
7	113-414128	TOW POINT INDICATION POINTER	1
8	093-414946	HOOD LIGHT BRACKET	1
9	020-0675	HEAD LIGHT	1

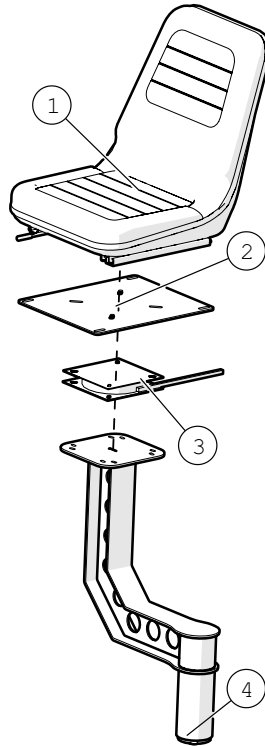
14.2 Left Rear Tow Arm



Rear Left Tow Arm

BOM ID	PART NUMBER	DESCRIPTION	Qty
1	113-100427	FREE SPIN HANDLE ASSEMBLY	2
2	112-100144	SCREED HANDLE ADJUSTMENT WELDEMENT	1
3	112-302440	SCREED DEPTH HANDLE ROD WELDEMENT	1
4	112-414451	REAR SCREED ARM WELDMENT, LEFT	1
5	113-414475	TOW ARM WIRING CHASE COVER, LEFT	1
6	112-414141	TOW ARM FOOT REST WELDMENT, LEFT	1
7	050-0552	SEAT LOCKING HANDLE	1

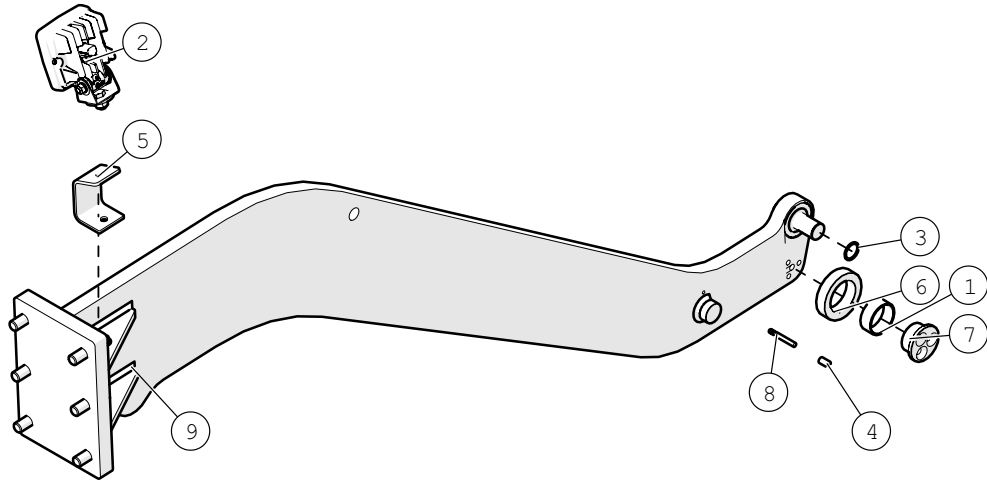
14.3 Standard Seat Assembly



Standard Seat Assembly

BOM ID	PART NUMBER	DESCRIPTION	Qty
1	060-0049	STANDARD OPERATOR SEAT	1
2	113-100159	SEAT MOUNTING BASE	1
3	050-0383	SEAT SWIVEL	1
4	112-414480	WELDEMENT, SEAT MOUNTING ARM	1

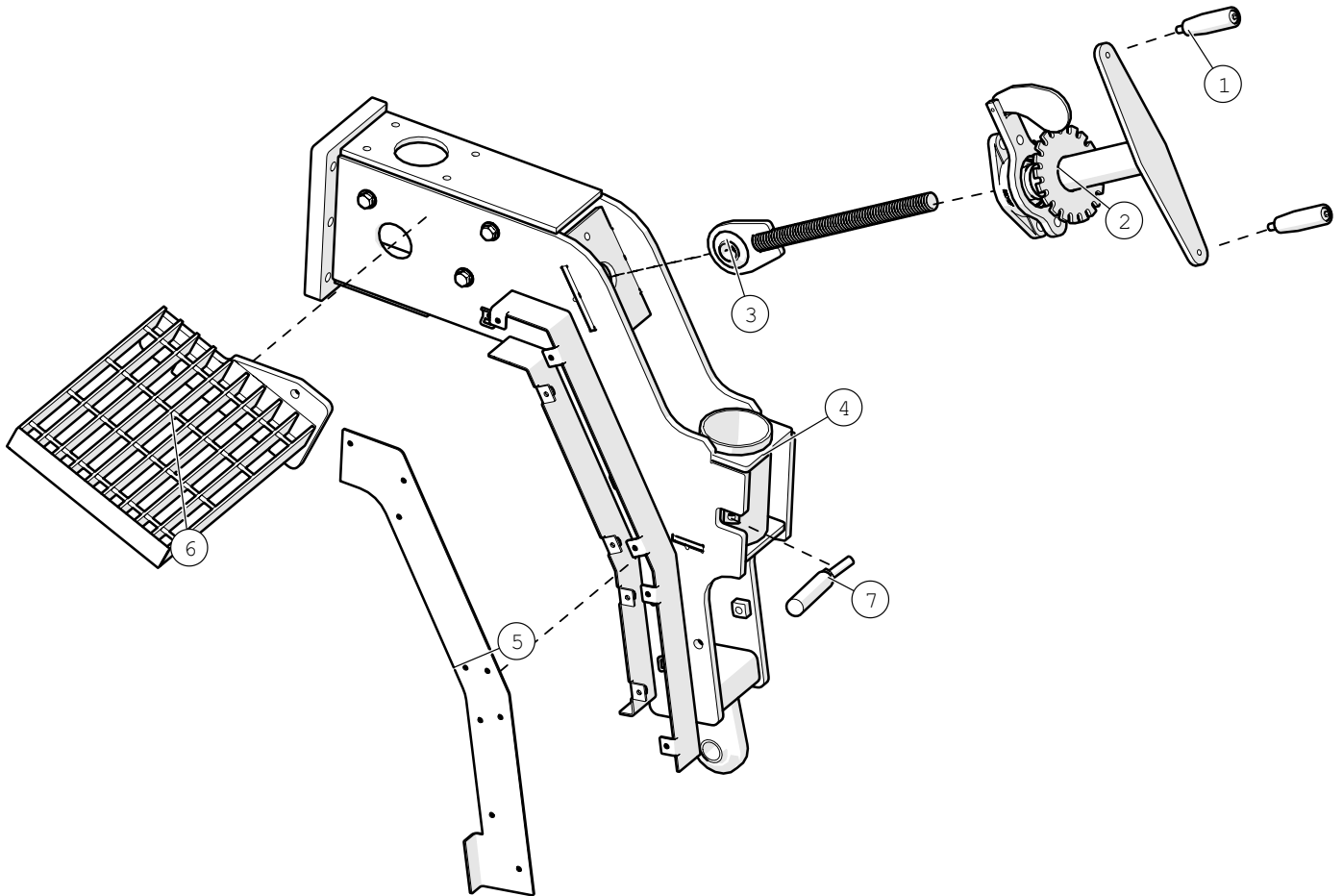
14.4 Right Hand Front Tow Arm



Right Front Tow Arm

BOM ID	PART NUMBER	DESCRIPTION	Qty
1	018-118400	TOW POINT BUSHING	1
2	020-0675	HEAD LIGHT	1
3	030-0558	EXTERNAL SPIRAL RETAINING RING	1
4	050-0885	TOW POINT INDICATOR CAP	1
5	093-414946	HOOD LIGHT BRACKET	1
6	113-118450	TOW POINT ROLLER	1
7	113-118452	TOW POINT ROLLER AXLE	1
8	113-414128	TOW POINT INDICATION POINTER	1
9	112-421100	SCREED ARM FRONT WELDMENT, RIGHT	1

14.5 Right Rear Tow Arm

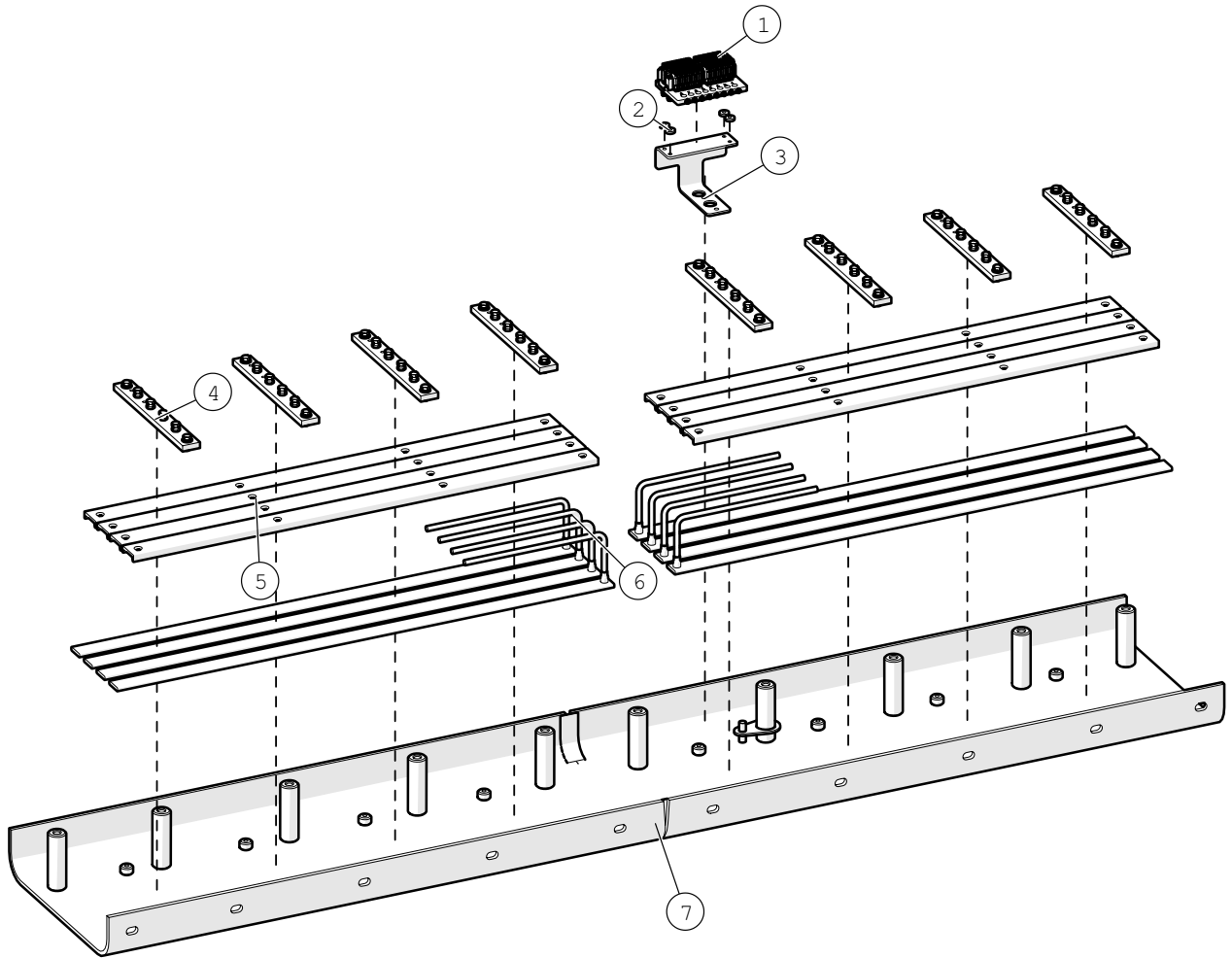


Right Rear Tow Arm

BOM ID	PART NUMBER	DESCRIPTION	Qty
1	113-100427	FREE SPIN HANDLE ASSEMBLY	2
2	112-100144	SCREED HANDLE ADJUSTMENT WELDEMENT	1
3	112-302440	SCREED DEPTH HANDLE ROD WELDEMENT	1
4	112-414450	REAR SCREED ARM WELDMENT, RIGHT	1
5	113-414474	TOW ARM WIRING CHASE COVER, RIGHT	1
6	112-414140	TOW ARM FOOT REST WELDMENT, RIGHT	1
7	050-0552	SEAT LOCKING HANDLE	1

15 Main Screenshot

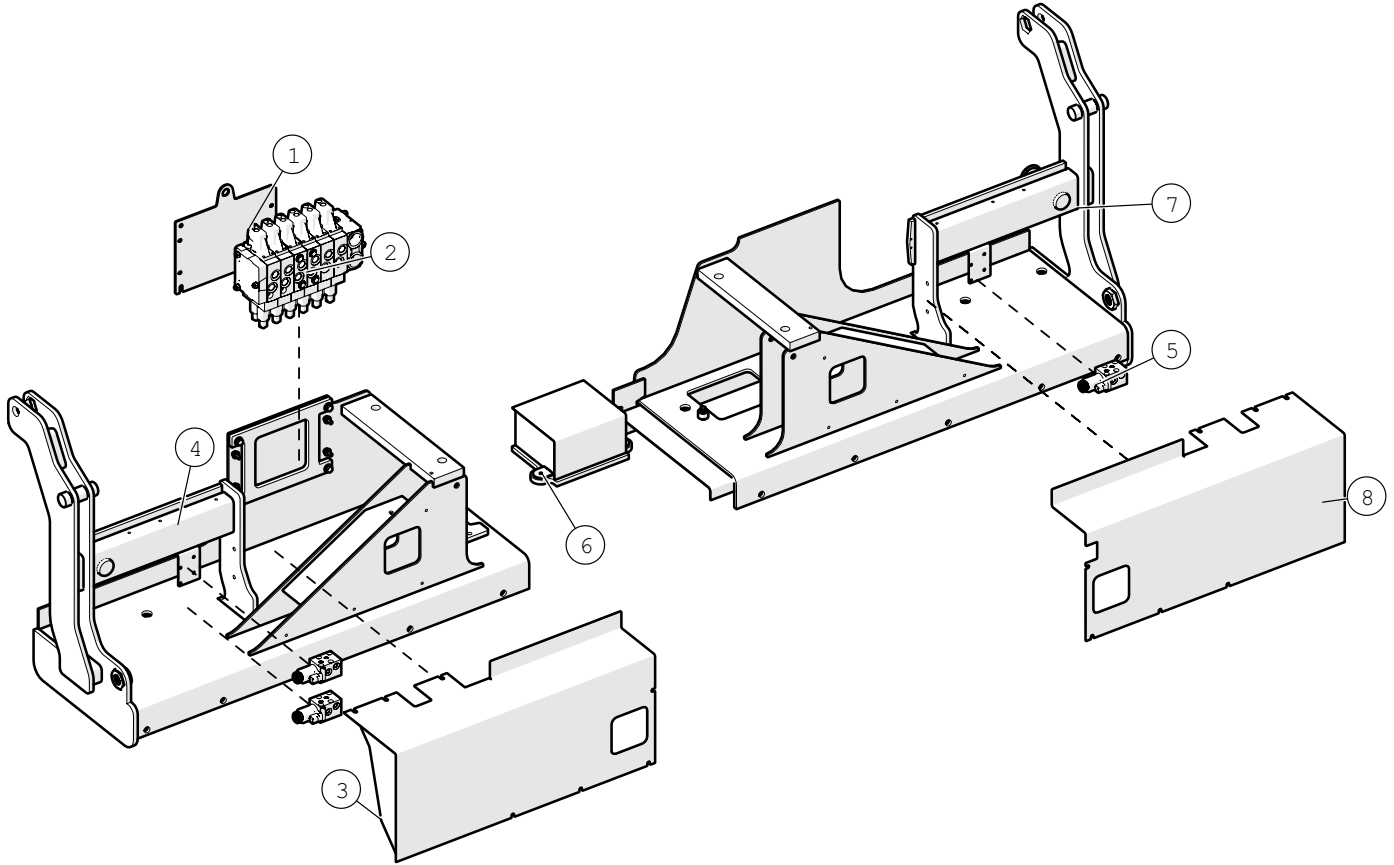
15.1 Main Screenshot Wear Plate Assembly



Main Screed Wear Plate

BOM ID	PART NUMBER	DESCRIPTION	Qty
1	020-421302	MAIN SCREED RESISTOR TERMINAL ASSY	1
2	030-421402	GAROLITE SPACER	4
3	113-421422	MAIN TERMINAL BLOCK MOUNT BRACKET BASE	1
4	113-309332	HEAT STRIP HOLD DOWN	8
5	113-309290	HEAT STRIP RETAINER	8
6	020-0547-B	HEAT ELEMENT	8
7	112-421421	MAIN SCREED BOTTOM PLATE	1
8 (not shown)	020-0548-B	Sensor Temperature	1

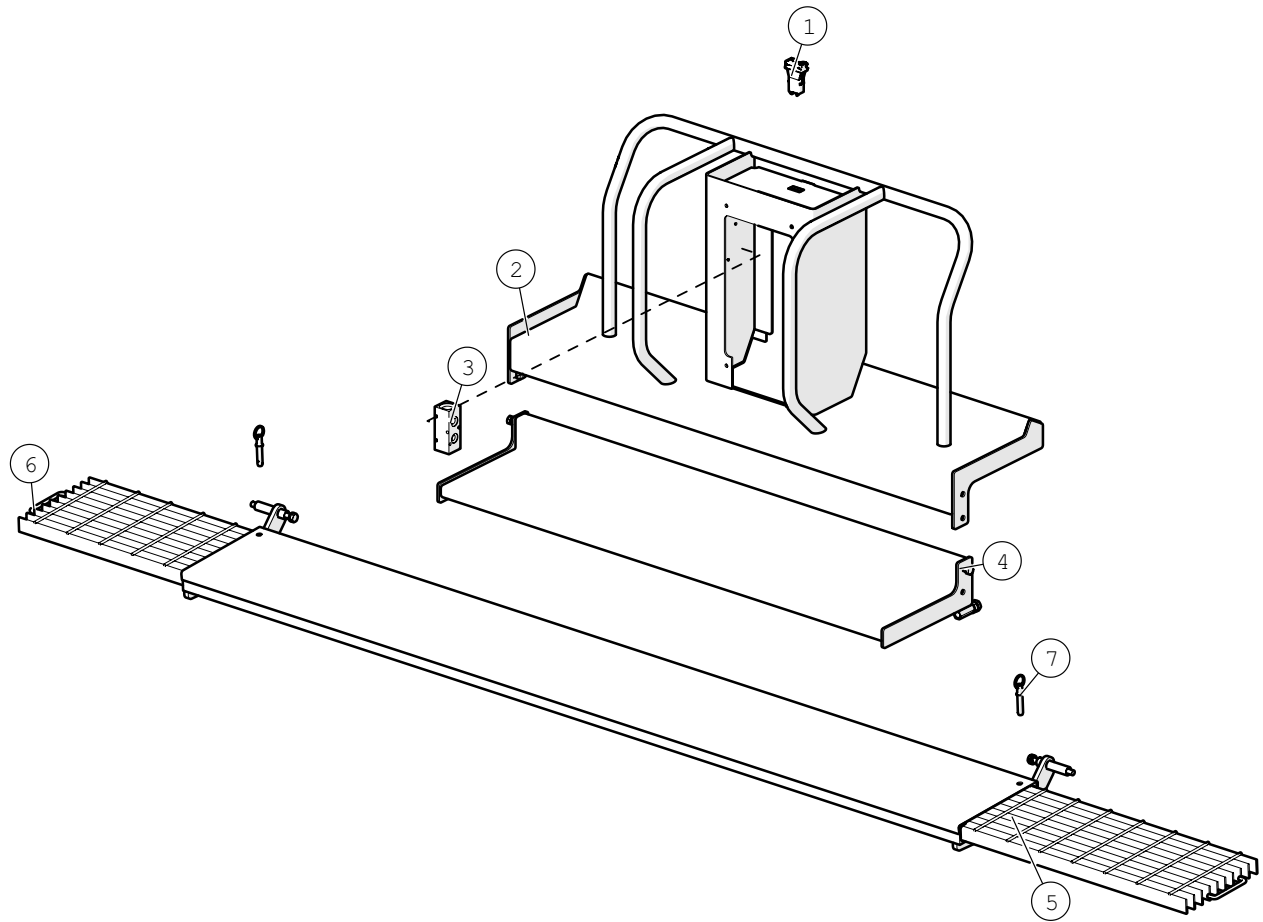
15.2 Main Screed Covers



Screed Top Covers

BOM ID	PART NUMBER	DESCRIPTION	Qty
1	113-421002	SCREED VALVE BANK MOUNT- ING PLATE	1
2	017-1093	SCREED VALVE BANK ASSEMBLY	1
3	112-302097	KICK PLATE WELDMENT, LEFT	1
4	112-421061	MAIN SCREED COVER WELD- MENT, ELECTRIC, LEFT	1
5	017-0306	DIVERTER VALVE	3
6	112-421006	MAIN HEAT ELECTRICAL COVER WELDMENT	1
7	112-421060	MAIN SCREED COVER WELD- MENT, ELECTRIC, RIGHT	1
8	112-302096	KICK PLATE WELDMENT, RIGHT	1

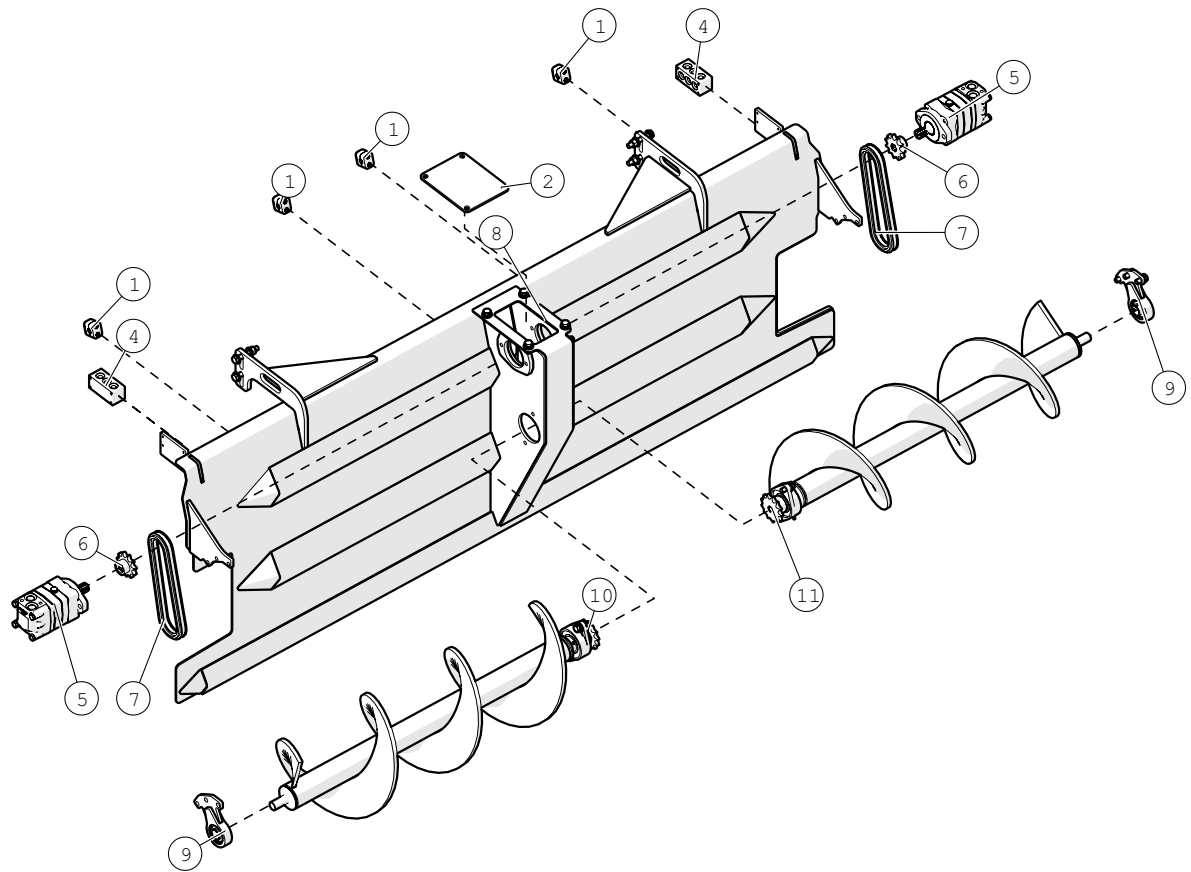
15.3 Walk Boards



Main Screed Walk Boards

BOM ID	PART NUMBER	DESCRIPTION	Qty
1	020-109474	2.0 USB CHARGER	1
2	112-421520	WELDMENT, SCREED UPPER WALK-BOARD	1
3	113-421560	MANIFOLD HEADER BLOCK AUGER	1
4	112-302530	MIDDLE WALKBOARD WELDMENT	1
5	112-302600	STANDARD LOWER WALKBOARD WELDMENT	1
6	111-100701	EXTENDABLE WALKBOARD	2
7	030-0461	MCMaster# 98485A495 PLUNGER PIN, 0.5IN X 1.5IN LONG	2

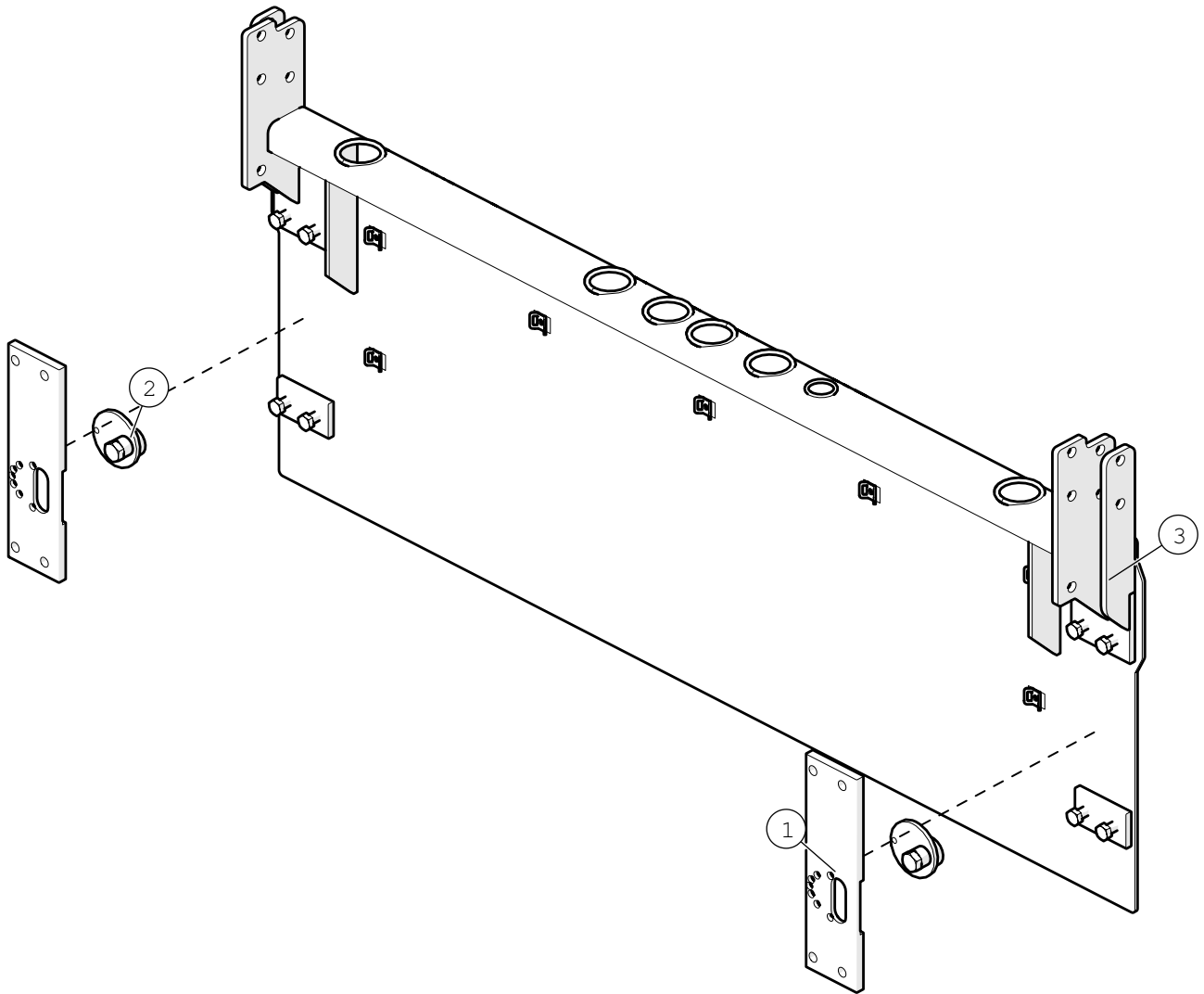
15.4 Screed Prestrike Off Plate



Screed Prestrike Off 12in Auger

BOM ID	PART NUMBER	DESCRIPTION	Qty
1	050-0828	CLAMP ASSY	4
2	113-421516	PLATE COVER UPPER AUGER CHAINS	1
4	113-421510	MANIFOLD EXTENSION AUGER	2
5	013-0115	MOTOR HYD	2
6	015-0354	SPROCKET TOP AUGER DRIVE	2
7	091-0073	CHAIN TOP AUGER	2
8	112-421500	PRE STRIKE OFF PANEL WELDEMENT	1
9	111-302080	AUGER HANGER ASSEMBLY	2
10	112-421550	PRE STRIKE OFF PLATE 12" AUGER SHAFT, RIGHT SIDE	1
11	112-421551	PRE STRIKE OFF PLATE 12" AUGER SHAFT, LEFT SIDE	1

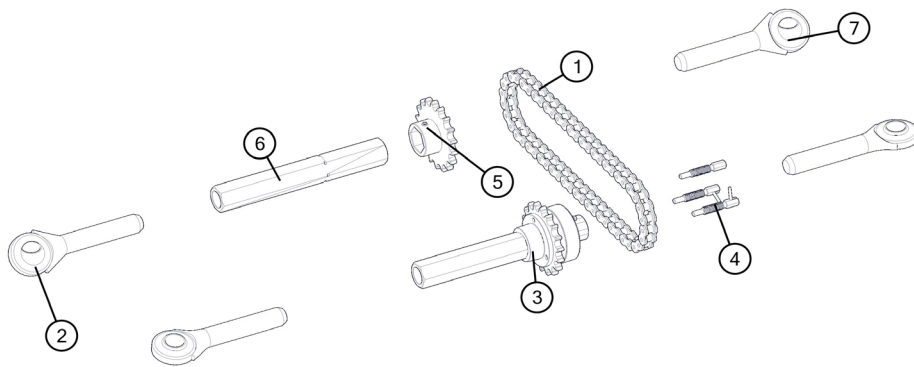
15.5 Main Screenshot Vertical Cover (Prestrike off Adjustment)



Screed Cover Plate

BOM ID	PART NUMBER	DESCRIPTION	Qty
1	113-302016	PRE STRIKE OFF ADJUSTMENT PLATE	2
2	112-302018	STRIKE OFF HEIGHT CONTROL WELDMENT	2
3	112-414010	MAIN SCREEED COVER PANEL WELDMENT	1

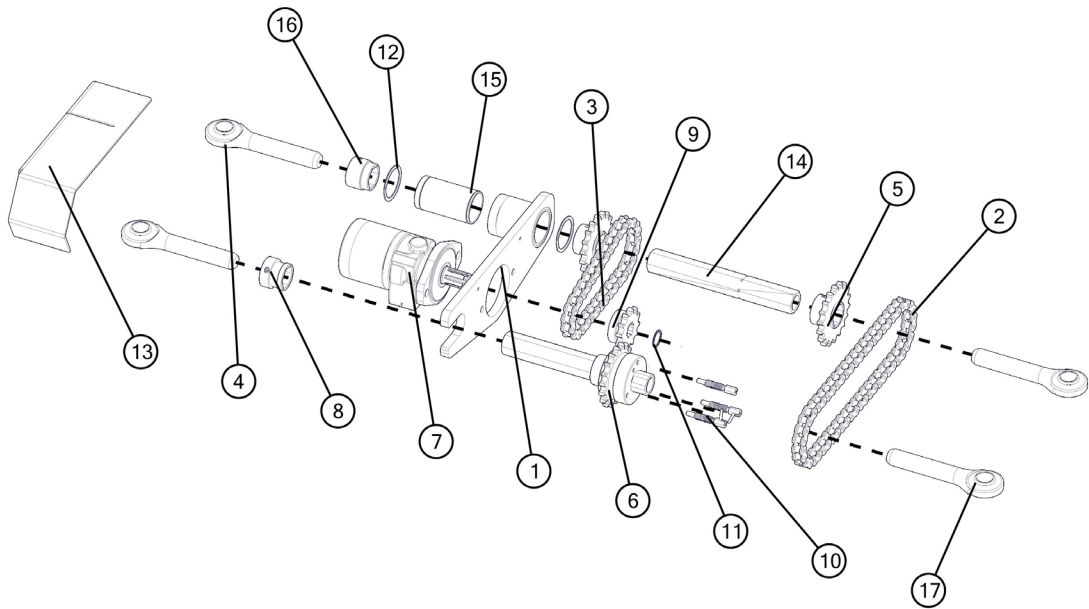
15.6 Manual Crown Adjustment Assembly



Manual Crown Assembly

BOM ID	PART NUMBER	DESCRIPTION	Qty
1	015-302670	CROWN SLAVE CHAIN ASSEMBLY, 54 LINKS	1
2	112-209582	BALL END ADJUSTING ROD WELD- MENT, RH THREADS	2
3	112-414670	CROWN RATCHET JACK WELDMENT, REAR	1
4	030-0522	RETRACTABLE PLUNGER	3
5	112-302674	SCREED CROWN DRIVEN SPROCK- ET WELDMENT	1
6	113-414671	1-1/4" 1018 CD STEEL HEX BAR	1
7	112-209583	BALL END ADJUSTING ROD WELD- MENT, LH THREADS	2

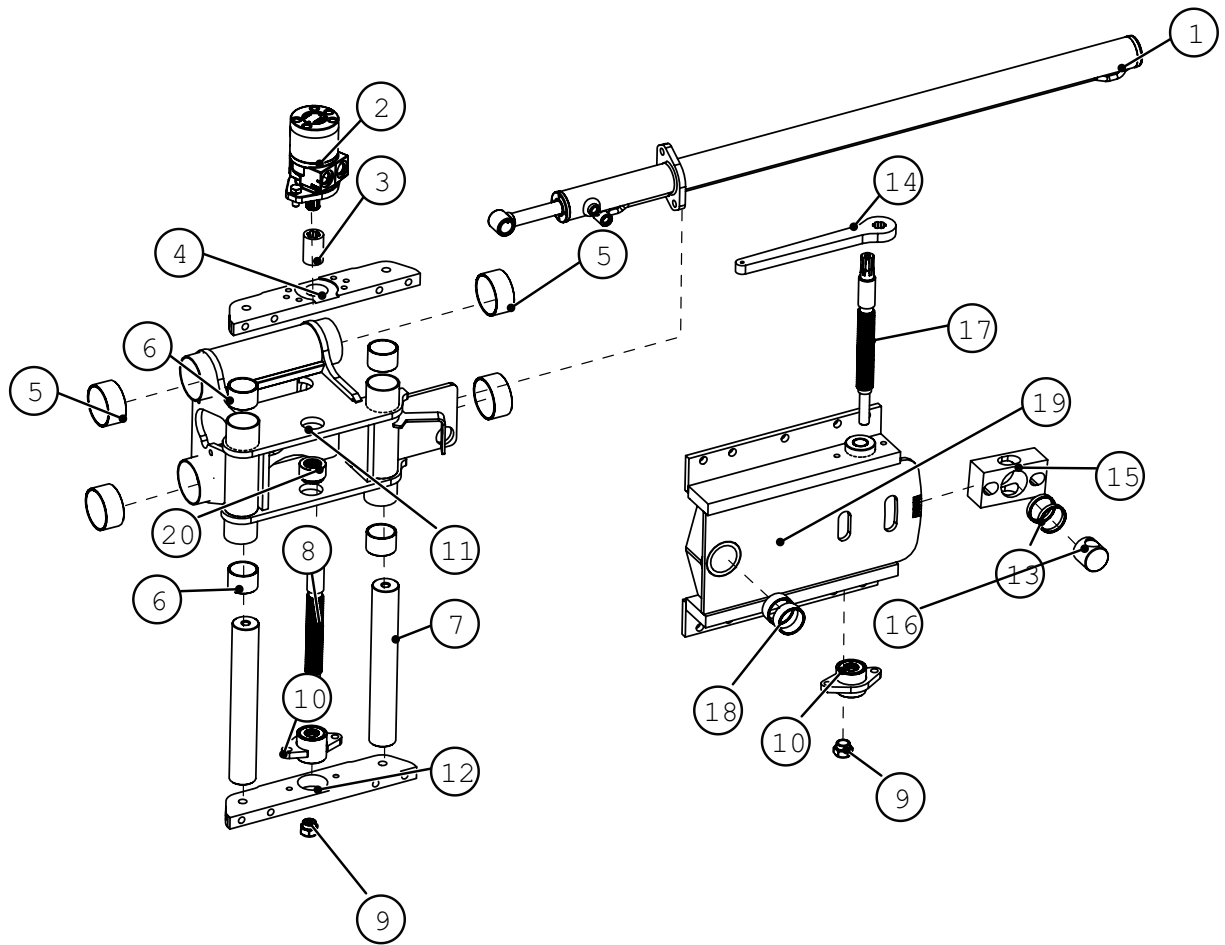
15.6.1 Power Crown Assembly (Option)



Power Crown Assembly

BOM ID	PART NUMBER	DESCRIPTION	Qty
1	112-414650	POWER CROWN MOTOR MOUNT WELDEMENT	1
2	015-302670	CROWN SLAVE CHAIN ASSEMBLY, 54 LINKS	1
3	015-302672	CROWN MOTOR CHAIN ASSEMBLY, 34 LINKS	1
4	112-209582	BALL END ADJUSTING ROD WELDMENT, RH THREADS	2
5	112-302674	SCREED CROWN DRIVEN SPROCKET WELDEMENT	2
6	112-414670	CROWN RATCHET JACK WELDEMENT, REAR	1
7	013-0106	HYDRAULIC MOTOR	1
8	113-302668	MOTOR MOUNT WELDEMENT GUIDE	1
9	015-0348	12 TOOTH SPROCKET	1
10	030-0522	RETRACTABLE PLUNGER	3
11	030-0577	STEEL RETAINING RING 0.925" DIA x 0.042" WIDTH	1
12	030-0578	STEEL RETAINING RING 1.886" DIA x 0.068" WIDTH	2
13	113-302665	POWER CROWN CHAIN GUARD	1
14	113-414671	SCREED CROWN RACHET JACK FIXED BODY	1
15	113-414678	FRONT RACHETJACK DRIVE TUBE	1
16	113-302669	BEARING TUBE STOP	1
17	112-209583	BALL END ADJUSTING ROD WELDMENT, LH THREADS	2

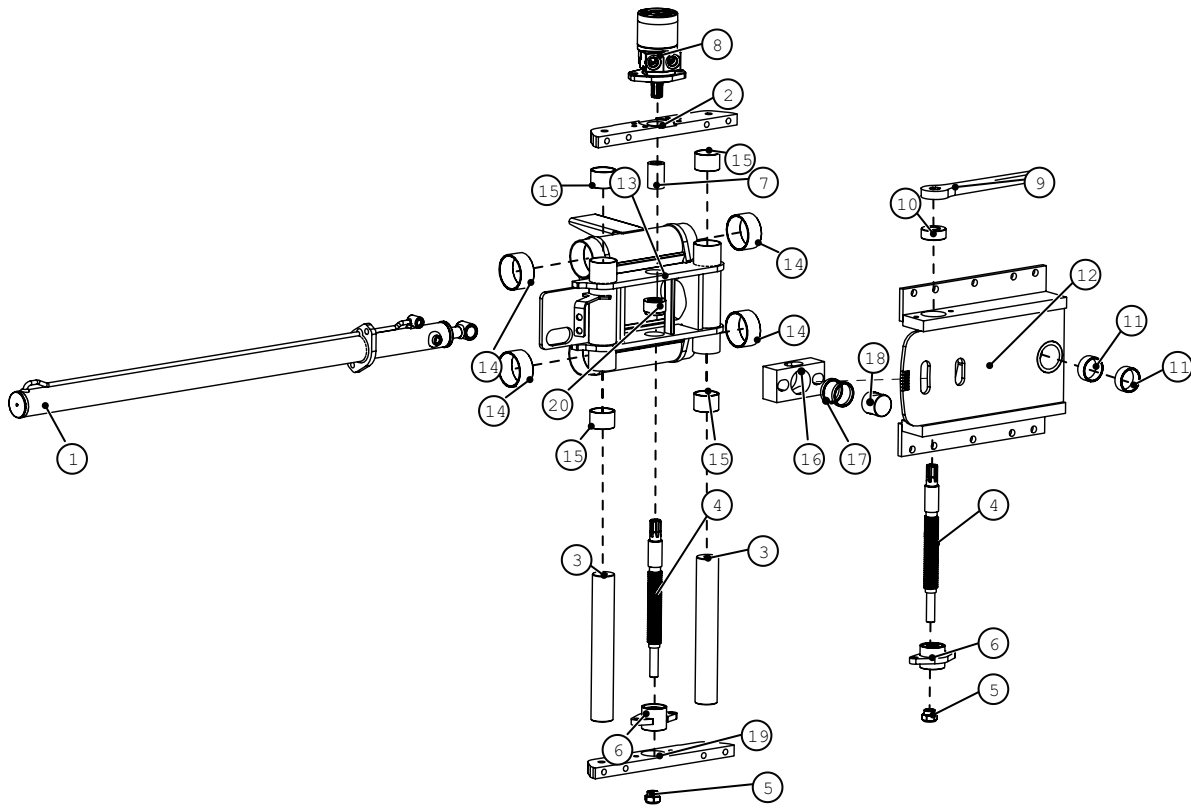
15.7 Left Hand Match Height & Slope



Left Hand Match Height & Slope

BOM ID	Part Number	Description	Qty
1	012-0068	Cylinder Screed Extension	1
2	013-0106	Motor Match Height	1
3	015-0286	Coupling	1
4	113-302008	Rod Cap Plate Top	1
5	018-0044	Bearing Rulon 3x3.25x1.5	4
6	018-0095	Bearing Rulon 2x2.25x1.5	4
7	113-302148	Match Height Rod	2
8	113-302190	Threaded Rod Match Height	1
9	113-302192	Nut Threaded Rod Match Height/ Slope	2
10	111-302006	Housing Bottom Support Bearing	2
11	112-302121	Weldment LH Match Height	1
12	113-302008	Rod Cap Plate Bottom	1
13	018-0111	Brass Bearing 2.25x2x.375	2
14	111-104171	Handle Ratcheting Slope Adj	1
15	113-302170	Block Slope Adj	1
16	113-302172	Nut Slope Adj	1
17	113-302190	Threaded Rod Slope Adj	1
18	018-0104	Bushing Slope Pivot	2
19	112-302150	Weldment Slope Adj	1
20	113-302136	Nut Acme Thread Match Height	1

15.8 Right Hand Match Height & Slope

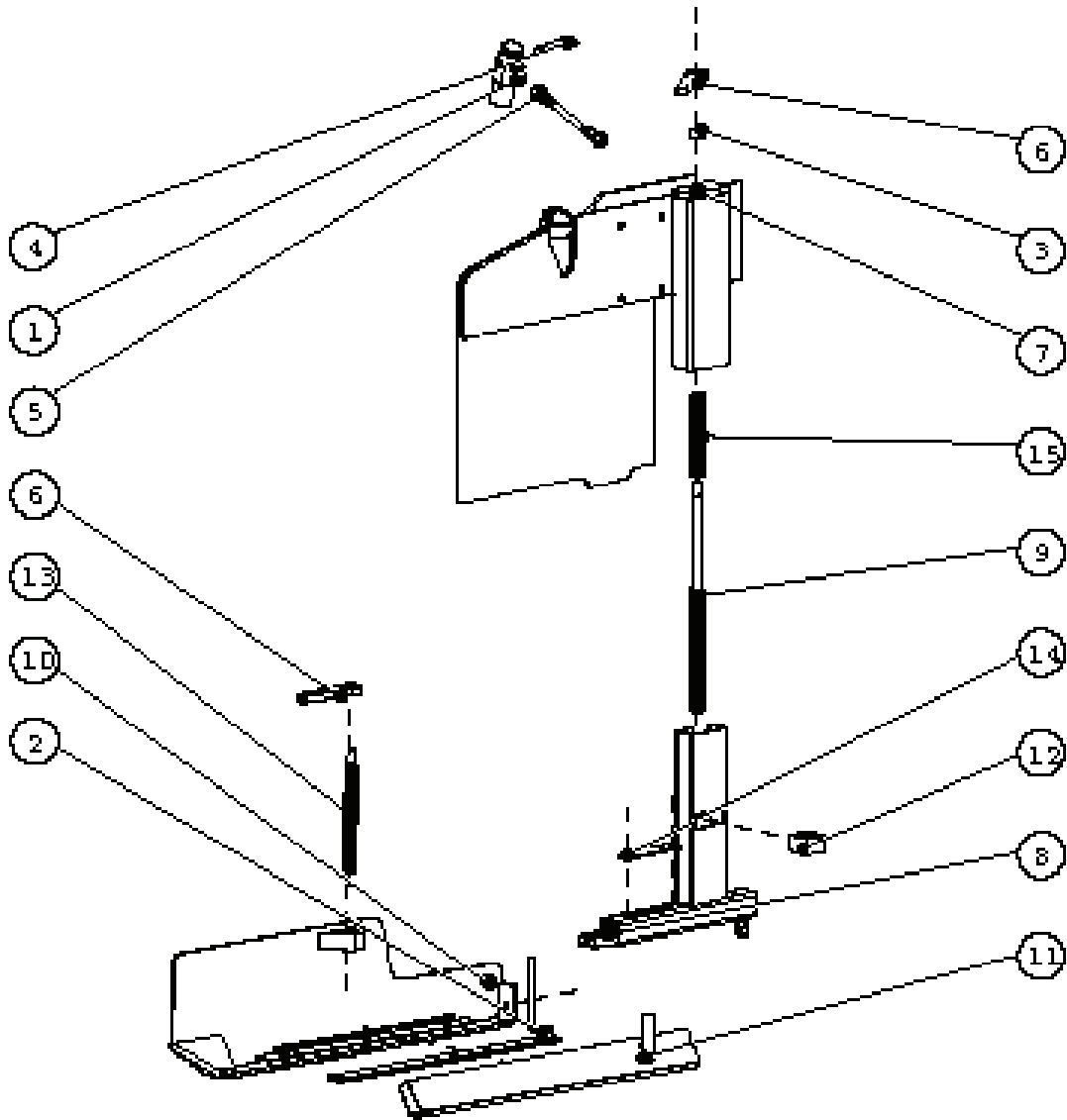


Right Hand Match Height & Slope

BOM ID	Part Number	Description	Qty
1	012-0068	Extension Cylinder	1
2	113-302008	Match Height Top Plate	1
3	113-302148	Chrome Rod Match Height	2
4	113-302190	Threaded Rod	2
5	113-302192	Nut Threaded Rod	2
6	111-302006	Bearing Housing Assembly	2
7	015-0286	Coupler	1
8	013-0106	Hydraulic Motor	1
9	111-104171	Handle Ratcheting Slope Adjustment	1
10	111-302007	Top Slope Bearing	1
11	018-0104	Brass Bushing	2
12	112-302150	Weldment Extension Slope Guide	1
13	112-302120	Weldment Extension Guide	1
14	018-0044	Bushing Extension Guide	4
15	018-0095	Bearing Match Height Guide	4
16	113-302170	Block Guide Slope	1
17	018-0111	Brass Bearing	2
18	113-302172	Nut Extension Slope	1
19	113-302008	Match Height Bottom Bar	1
20	113-302136	Nut Acme Thread Match Height	1

16 Screed Extensions

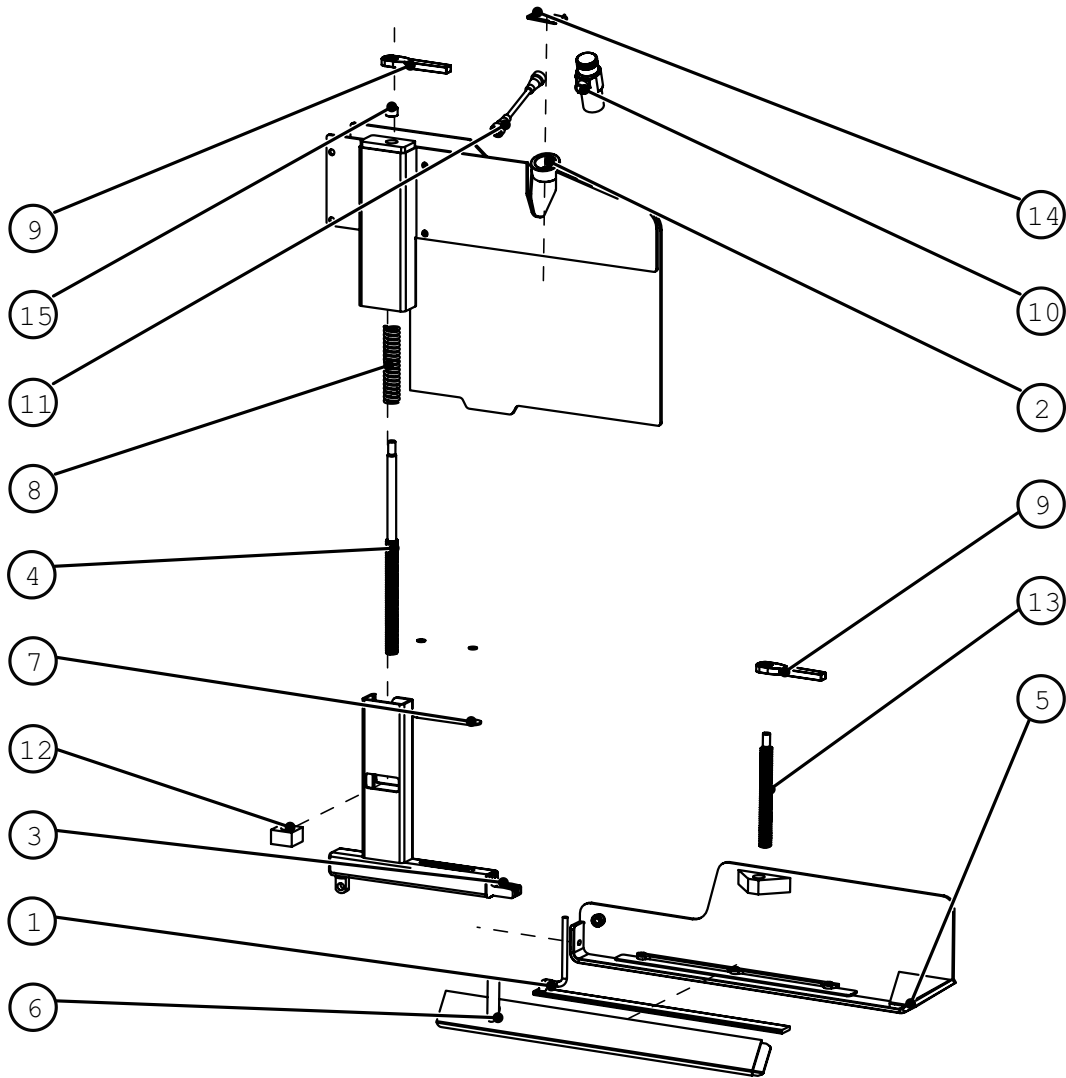
16.1 Left Hand End Gate Assembly



Left Hand End Gate

BOM ID	Part Number	Description	Qty
1	020-109473	Sonic Sensor	1
2	020-1119	Heat Strip	1
3	018-0107	Bearing	1
4	030-0153	Lynch Pin 5/16 x 2 1/2in	1
5	020-421311	Harness Sonic Cable LH	1
6	111-104170	Ratcheting Handle	2
7	112-302301	Weldment End Gate Upper LH	1
8	112-302351	Weldment End Gate Lower LH	1
9	112-302376	Threaded Rod End Gate Rear	1
10	111-309381	Weldment Shoe LH Electric	1
11	112-309383	Weldment Shoe Cover Electric LH	1
12	113-209462	End Gate Nut	1
13	113-209468	Threaded Rod Front	1
14	113-309358	Access Cover	1
15	050-0431	End Gate Spring	1

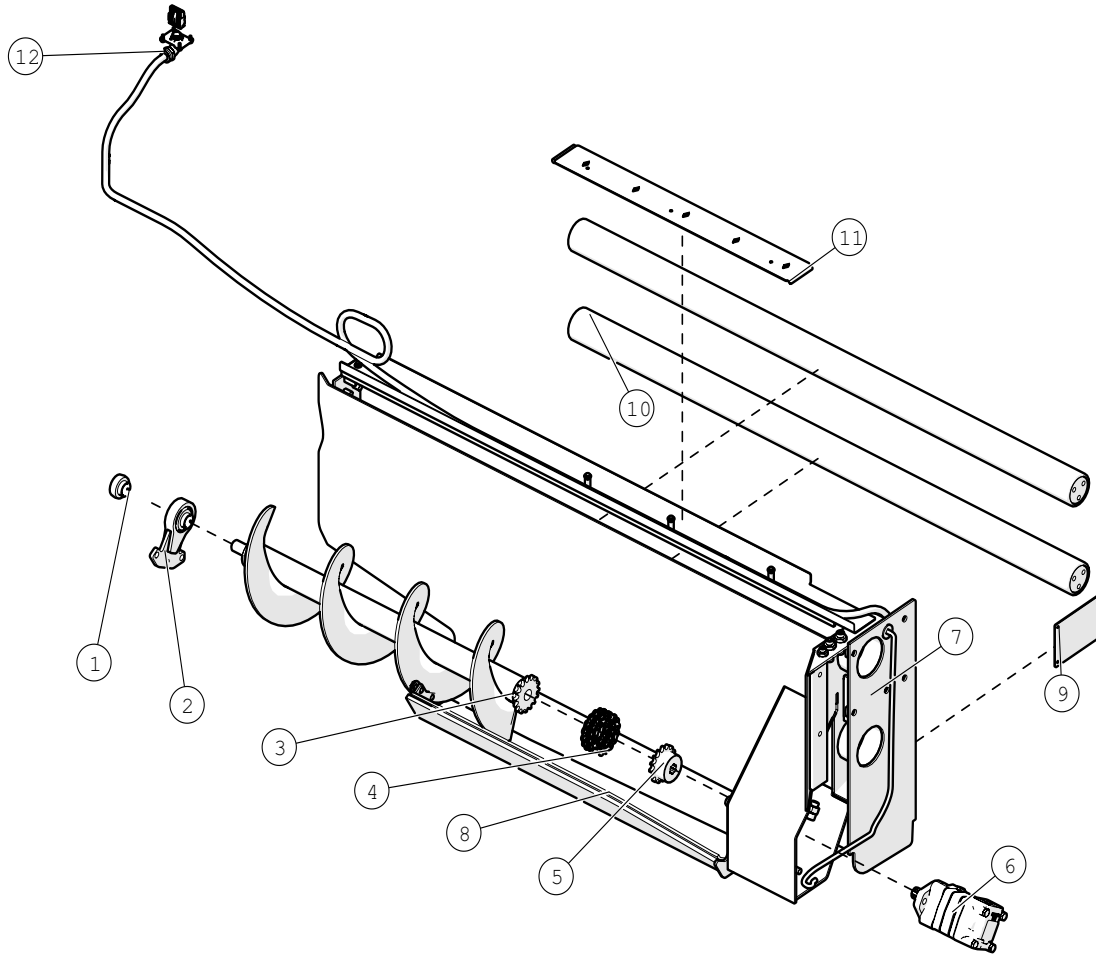
16.2 Right Hand End Gate Assembly



Right Hand End Gate

BOM ID	Part Number	Description	Qty
1	020-1119	Electric Heat Strip	1
2	112-302300	Weldment End Gate Upper RH	1
3	112-302350	Weldment End Gate Lower RH	1
4	112-302376	Threaded Rod End Gate Rear	1
5	111-309380	Weldment Shoe RH Electric	1
6	112-309382	Weldment Shoe Cover Electric	1
7	113-309358	Access Cover	1
8	050-0431	End Gate Spring	1
9	111-104170	Ratcheting Handle	2
10	020-109473	Sonic Sensor	1
11	020-421310	Harness Sonic Sensor RH	1
12	113-209462	End Gate Nut	1
13	113-209468	Threaded Rod Front	1
14	030-0153	Lynch Pin 5/16 x 2 1/2in	1
15	018-0107	Bearing 3/4 x 1 x 5/8	1

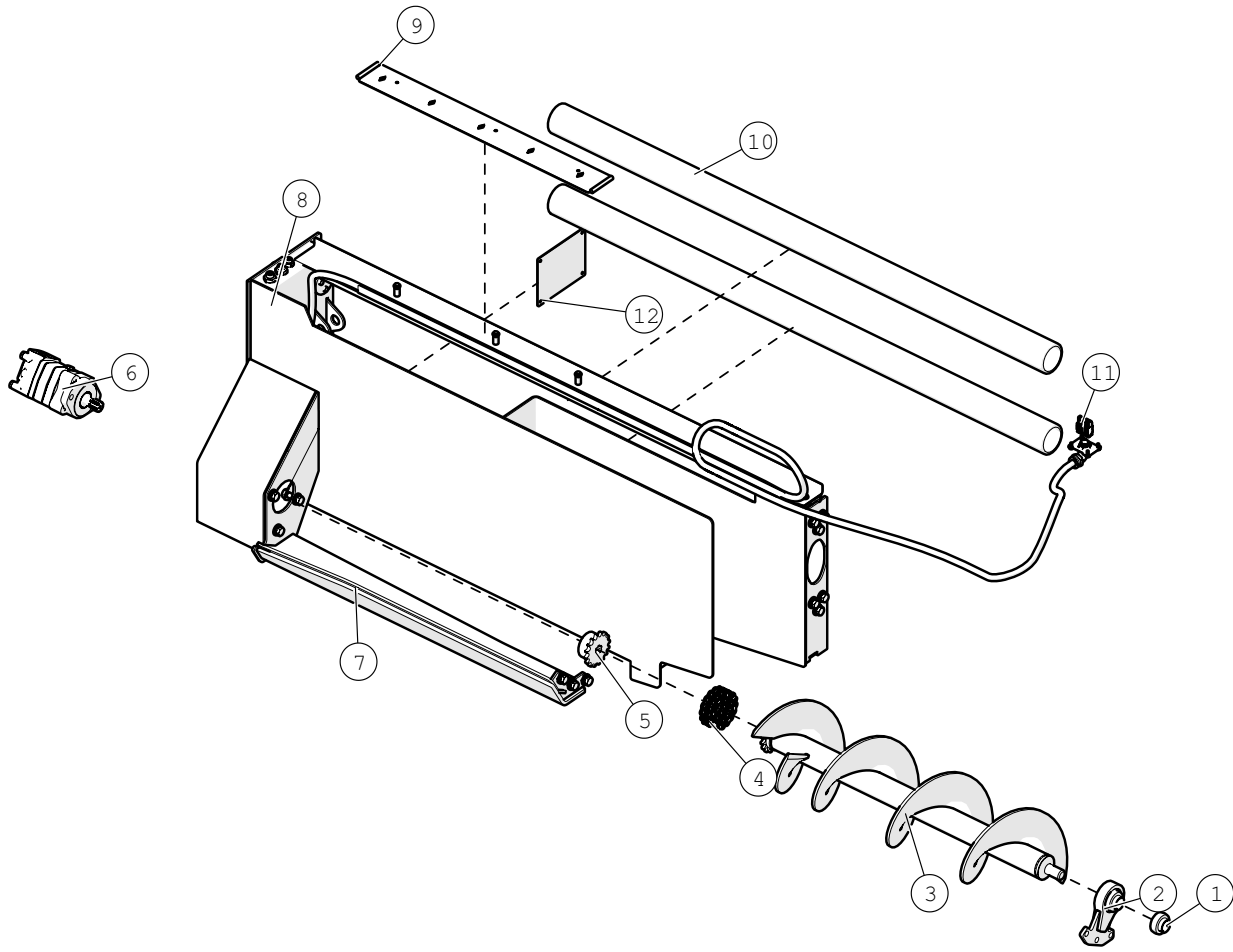
16.3 Left Hand Extension



Left Hand Extension

BOM ID	PART NUMBER	DESCRIPTION	Qty
1	018-0105	BEARING INSERT	1
2	112-302080	AUGER HANGER ASSEMBLY (INCLUDES BEARING)	1
3	112-302561	AUGER WELDEMENT, LEFT LOWER	1
4	015-0045	CHAIN COUPLING	1
5	015-0154	SPROCKET COUPLING	1
6	013-0115	MOTOR HYD	1
7	112-421201	ELECTRIC HEAT EXTENSION WELDMENT, LEFT	1
8	112-421229	WELDMENT TUNNEL LH (WELD ON)	1
9	113-421267	COUPLING SPROCKET	1
10	113-302210	CHROME ROD GUIDES	2
11	112-302682	EXTENSION HOSE GUIDE COVER WELDMENT	1
12	020-421293	EXTENSION RESISTOR HARNESS	1

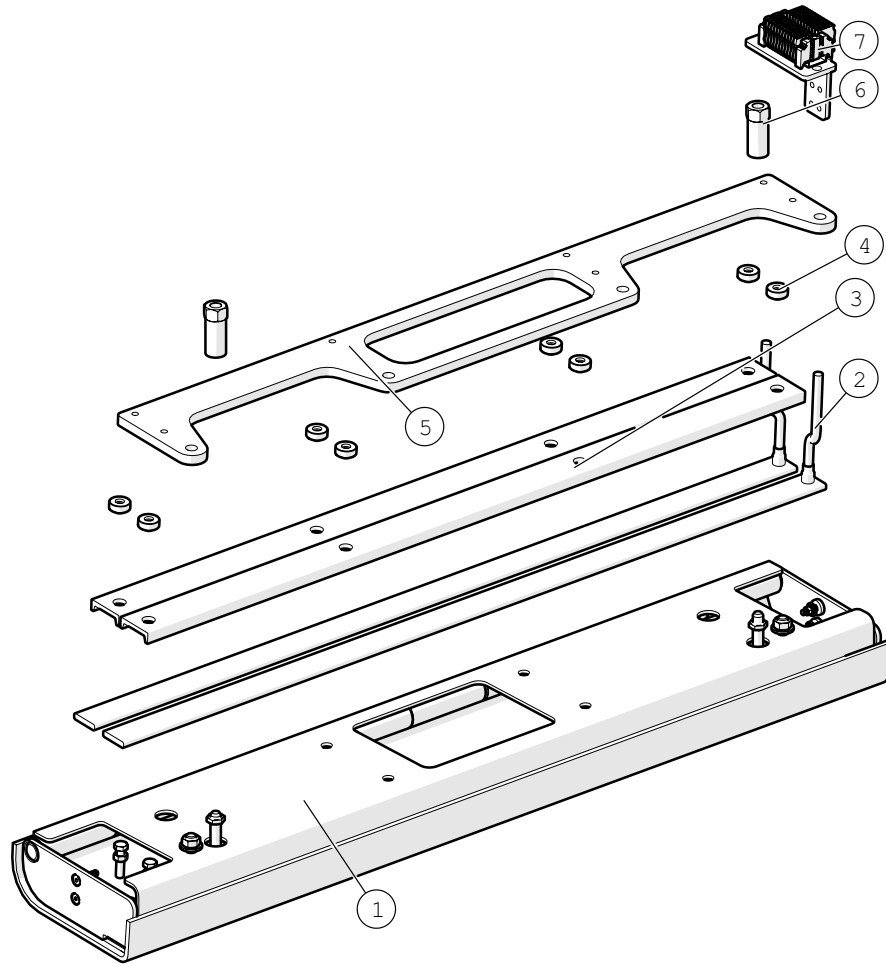
16.4 Right Hand Extension



Right Hand Extension

BOM ID	PART NUMBER	DESCRIPTION	Qty
1	018-0105	BEARING INSERT	1
2	112-302080	AUGER HANGER ASSEMBLY	1
3	112-302560	AUGER WELDEMENT RIGHT LOWER	1
4	015-0045	CHAIN COUPLING	1
5	015-0154	CHAIN COUPLING SPROCKET	1
6	013-0115	MOTOR HYD	1
7	112-421228	WELDMENT TUNNEL RH (WELD ON)	1
8	112-421200	EXTENSION WELDMENT RIGHT	1
9	112-302682	EXTENSION HOSE GUIDE COVER WELDMENT	1
10	113-302210	CHROME ROD GUIDES	2
11	020-421293	EXTENSION RESISTOR HARNESS	1
12	113-421266	RIGHT EXT ENCLOSURE ACCESS PANEL	1

16.5 Extension Wear Plate Left Hand and Right Hand

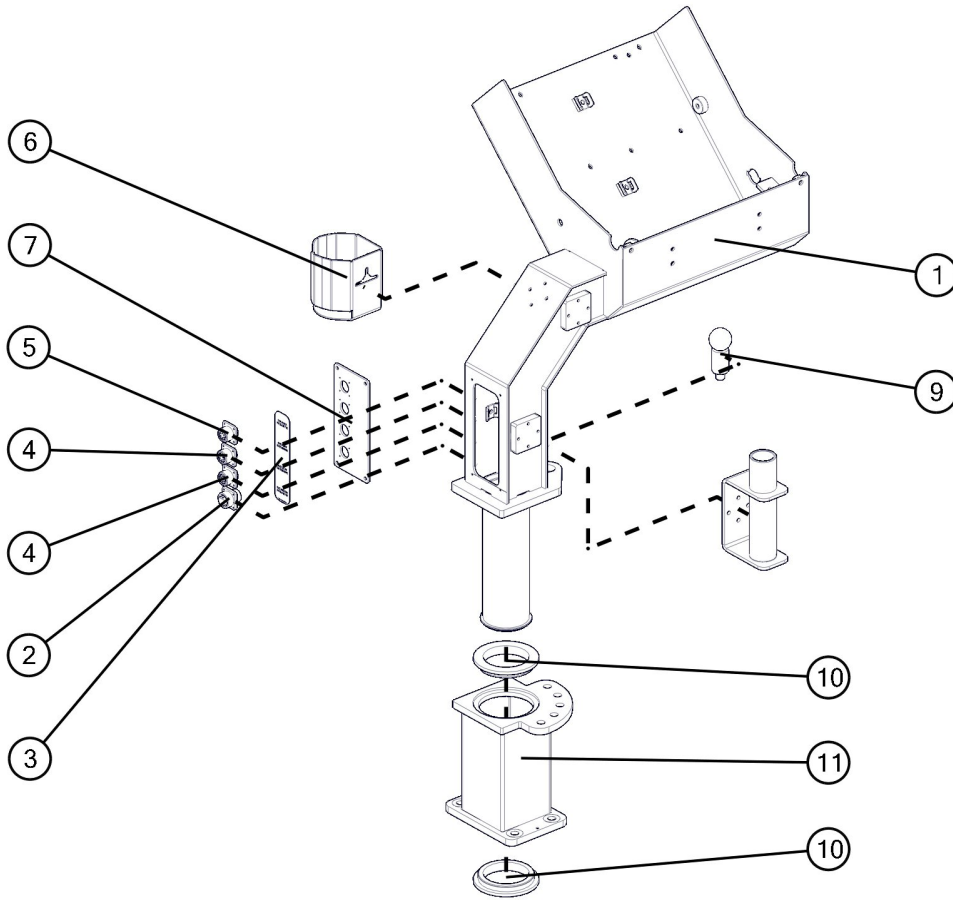


**Screed Extension Wear
Plate**

BOM ID	PART NUMBER	DESCRIPTION	Qty
1	111-421290	EXTENSION BOTTOM WELDMENT LH & RH	1
2	020-0547-B	HEAT STRIP RESISTOR	2
3	113-309290	HEAT STRIP RETAINER	2
4	113-421292	HEAT STRIP LOCATOR	8
5	113-421296	EXT HEAT STRIP RESTRAINER PLATE	1
6	113-302290	BOTTOM ANGLE ADJUSTMENT STUD	2
7	020-421301	SCREED EXTENSION RESISTOR TERMINAL ASSY	1
8 (not shown)	020-0548-B	SENSOR TEMP	1

17 Left Hand Operator's Station

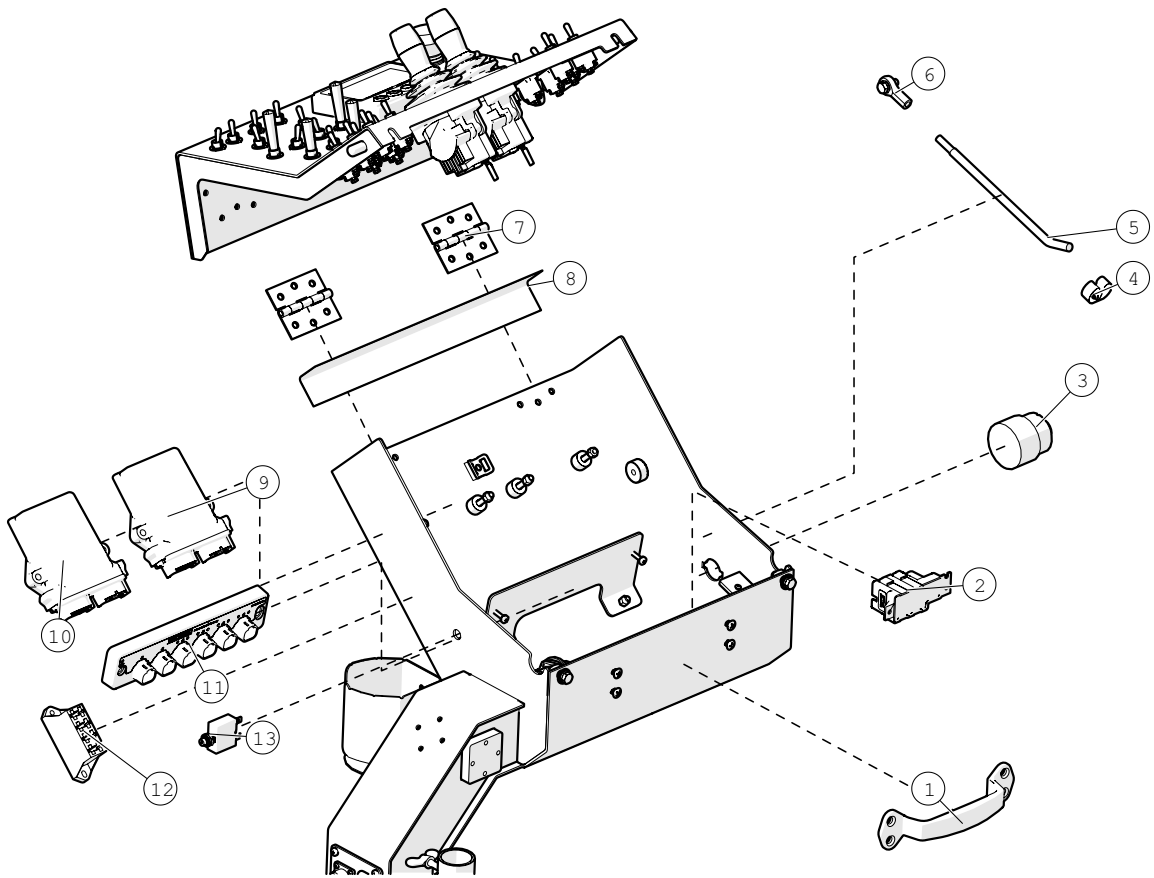
17.1 Left Hand Operator Station Base



Left Hand Control Station Lower

BOM ID	Part Number	Description	Qty
1	112-414257	OPERATOR STATION WELDMENT, LEFT	1
2	020-0501	RECEPTACLE 14 PIN REMOTE HANDSET	1
3	024-414284	1860 REMOTES & GRADE PKG DECAL	1
4	050-0372	6 PIN RECEPTACLE BAYONET STYLE FLANGE MOUNT	2
5	050-0372	6 PIN RECEPTACLE THREADED STYLE FLANGE MOUNT	1
6	113-414282	CUP HOLDER	1
7	113-414284	REMOTE RECEPTACLE COVER PLATE	1
8	112-414308	WELDMENT, UMBRELLA HOLDER BRACK- ET	1
9	030-0566	POP DETENT KNOB WITH WELD BARREL	1
10	113-414296	OPERATOR STATION WEAR SPACER	2
11	112-414431	OPERATOR STAND RECEIVER ASSEMBLY, LEFT	1

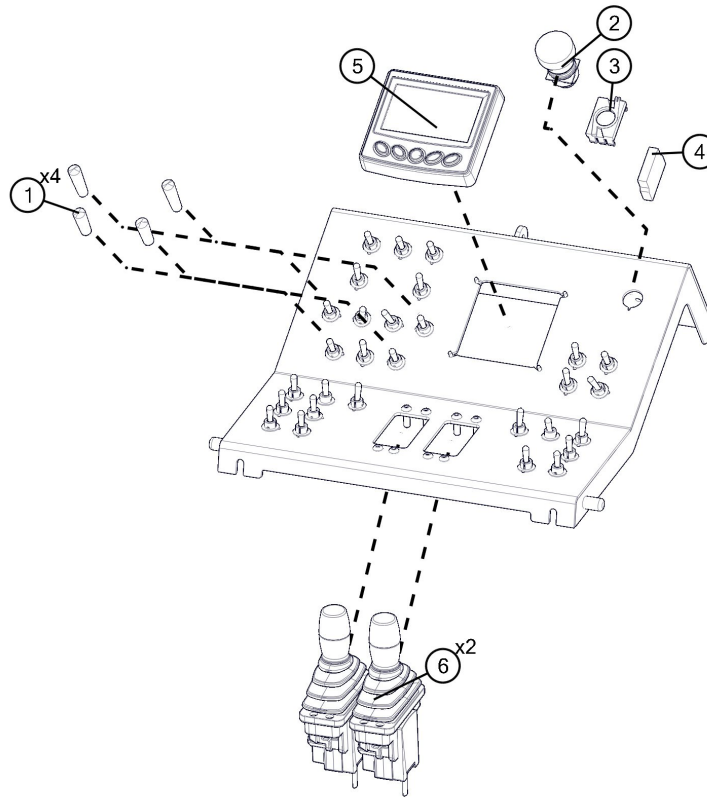
17.2 Left Hand Operator Station Internals



Left Hand Control Station Upper

BOM ID	PART NUMBER	DESCRIPTION	Qty
1	050-0205	CHROME GRAB HANDLE	1
2	020-1238	SEALED BUS BAR	1
3	020-0955	KEYSWITCH	1
4	050-0914	HOLDER CLIP	1
5	113-414288	CONTROL PANEL PROP ROD	1
6	030-0430	BALL ROD END	1
7	030-0567	HINGE	2
8	030-0569-1	OPERATOR STATION HINGE SEAL RUBBER	1
9	020-0715-3	I/O MODULE #3	1
10	020-0715-1	I/O MODULE #1	1
11	020-1174	SPLITTER CAN DATA 6 PORT	1
12	020-0407	FUSE BLOCK	1
13	E0128-2	5 AMP CIRCUIT BREAKER	1

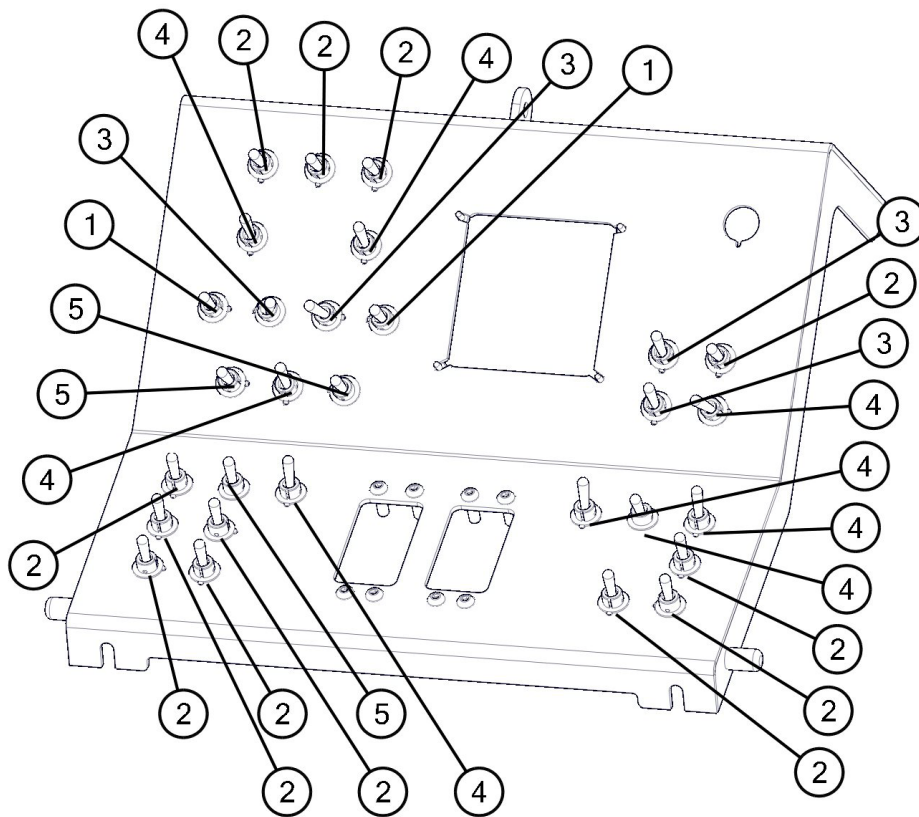
17.3 Left Hand Operator Panel Assembly



Left Hand Control Panel

BOM ID	Part Number	Description	Qty
1	020-0497	TOGGLE SWITCH EXTENSION RED PLASTIC	4
2	020-123714	E-STOP, PUSH BUTTON	1
3	020-123714-1	E-STOP COUPLING	1
4	020-123714-2	E-STOP, CONTACTS	1
5	020-0905	DISPLAY PANEL	1
6	020-0271	JOYSTICK	2

17.3.1 Left Hand Operator Panel Toggle Switches

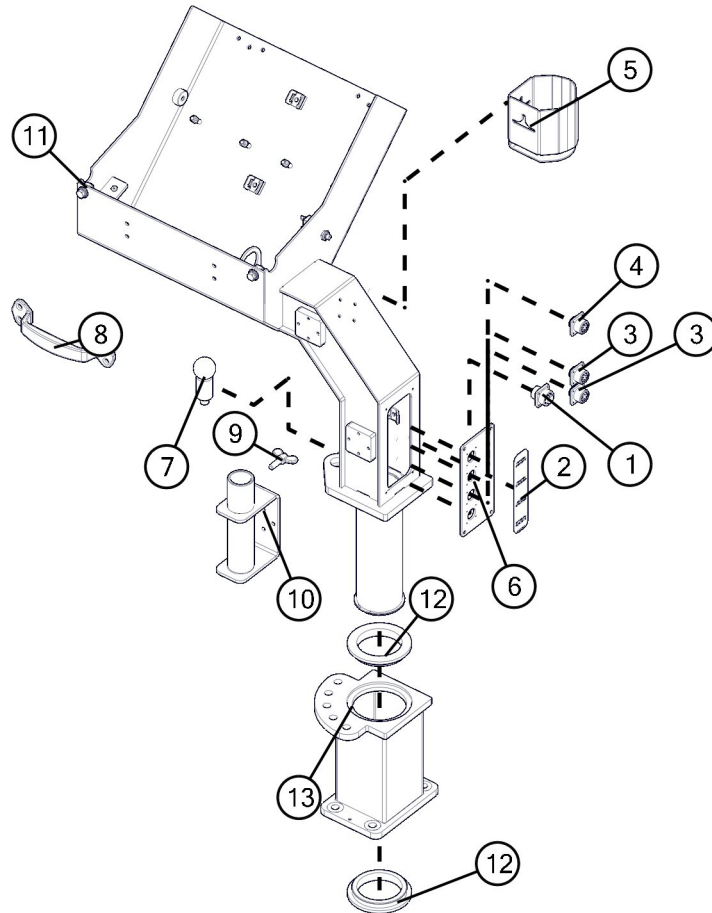


Left Hand Control Panel Toggles

BOM ID	Part Number	Description	Qty
1	020-0083	Toggle Switch On-Off-On	2
2	020-0395	Toggle Switch On-Off Momentary On	12
3	020-0405	Toggle Switch On-On	4
4	020-0423	Toggle Switch Momentary On-On	8
5	020-0479	Toggle Switch Momentary On-Off, Detent On	3

18 Right Hand Operator Station

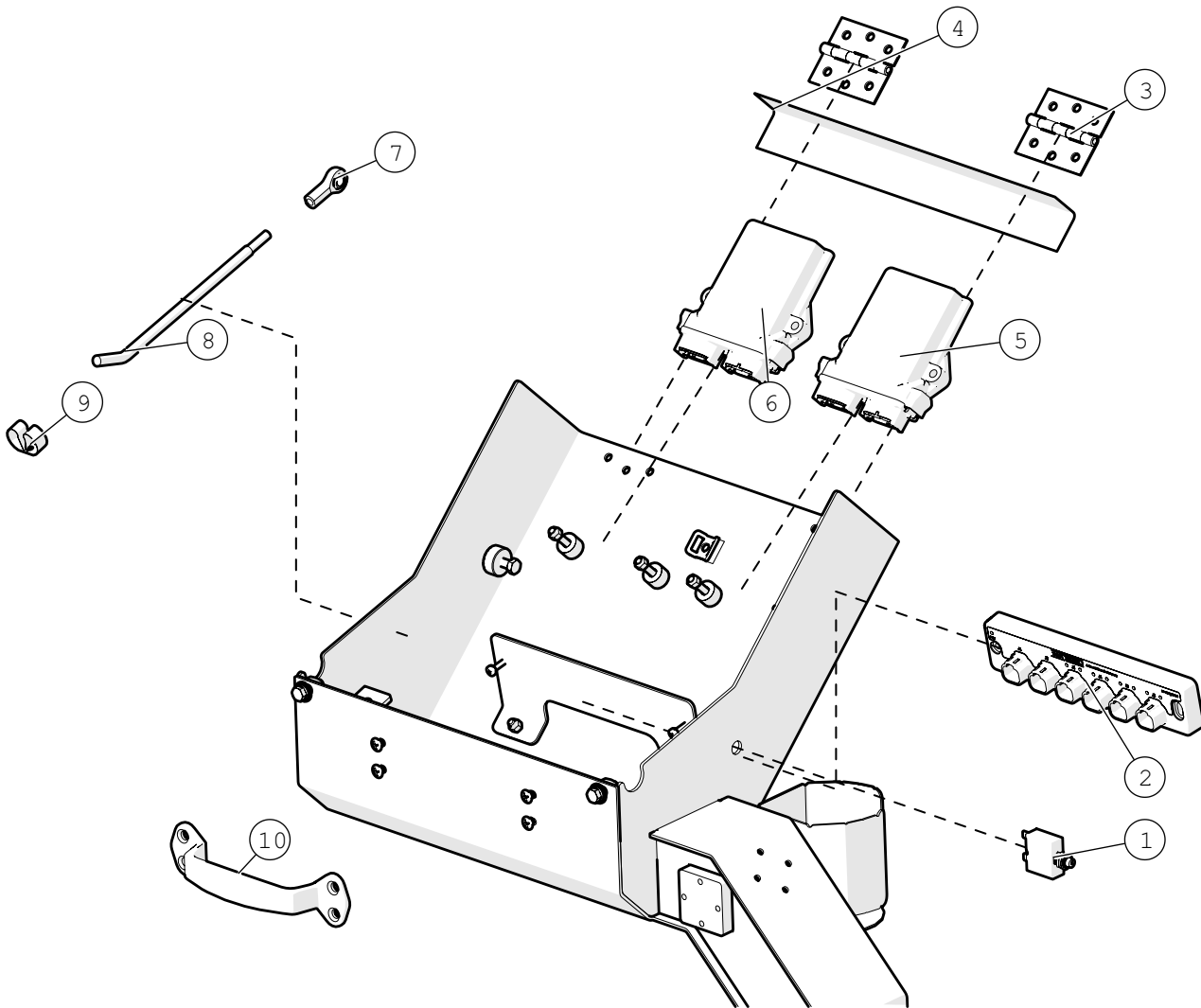
18.1 Right Hand Operator Station Base



Right Hand Control Station Lower

BOM ID	Part Number	Description	Qty
1	020-0501	RECEPTACLE 14 PIN	1
2	024-414284	GRADE PKG DECAL	1
3	050-0372	6 PIN RECEPTACLE BAYONET STYLE FLANGE MOUNT	2
4	050-0513	6 PIN RECEPTACLE THREADED STYLE FLANGE MOUNT	1
5	113-414282	CUP HOLDER	1
6	113-414284	REMOTE RECEPTACLE COVER PLATE	1
7	030-0566	POP DETENT KNOB WITH WELD BAR- REL	1
8	050-0205	GRAB HANDLE	1
9	030-0487	WING BOLT	1
10	112-414308	WELDMENT, UMBRELLA HOLDER BRACKET	1
11	112-414256	OPERATOR'S CONTROL STAND WELD- MENT, RIGHT	1
12	113-414296	OPERATOR STATION WEAR SPACER	2
13	112-414430	OP STATION RECEIVER WELDEMENT, RIGHT	1

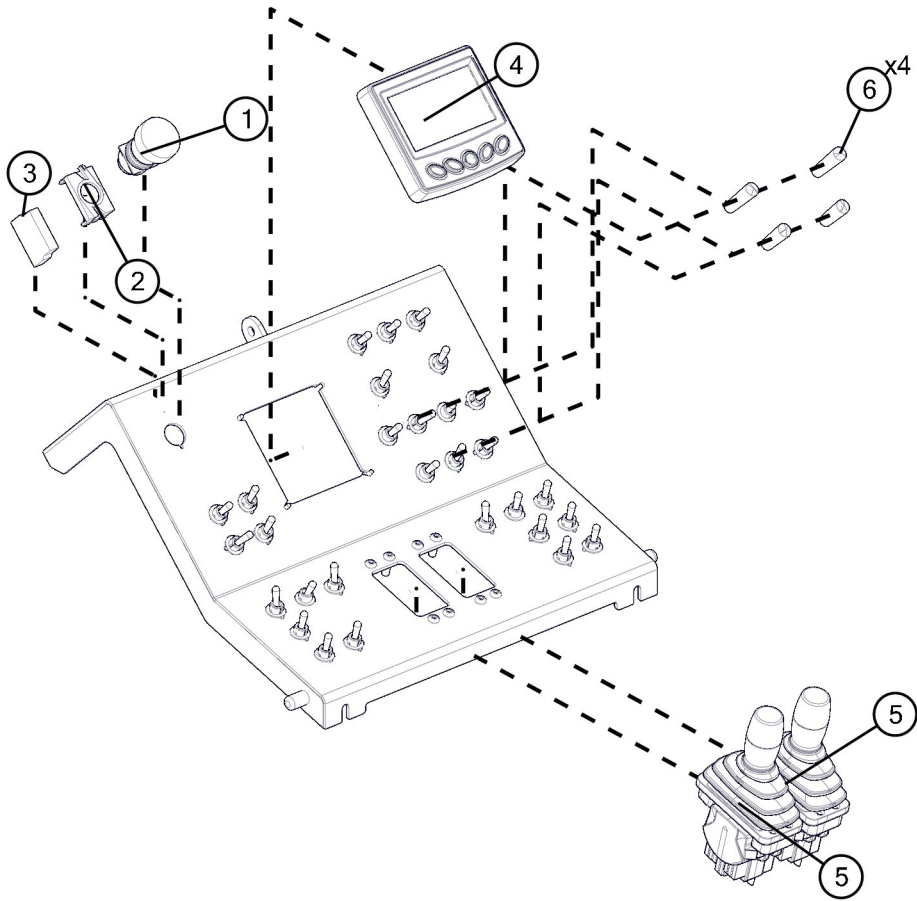
18.2 Right Hand Operator Station Internal



Right Hand Control Station Upper

BOM ID	PART NUMBER	DESCRIPTION	Qty
1	E0128-2	5 AMP CIRCUIT BREAKER	1
2	020-1174	SPLITTER CAN DATA 6 PORT	1
3	030-0567	HINGE	2
4	030-0569-1	OPERATOR STATION HINGE SEAL RUBBER	1
5	020-0715-2	I/O MODULE #2	1
6	020-0715-4	I/O MODULE #4	1
7	030-0430	BALL ROD END	1
8	113-414288	CONTROL PANEL PROP ROD	1
9	050-0914	HOLDER CLIP	1
10	050-0205	CHROME GRAB HANDLE	1

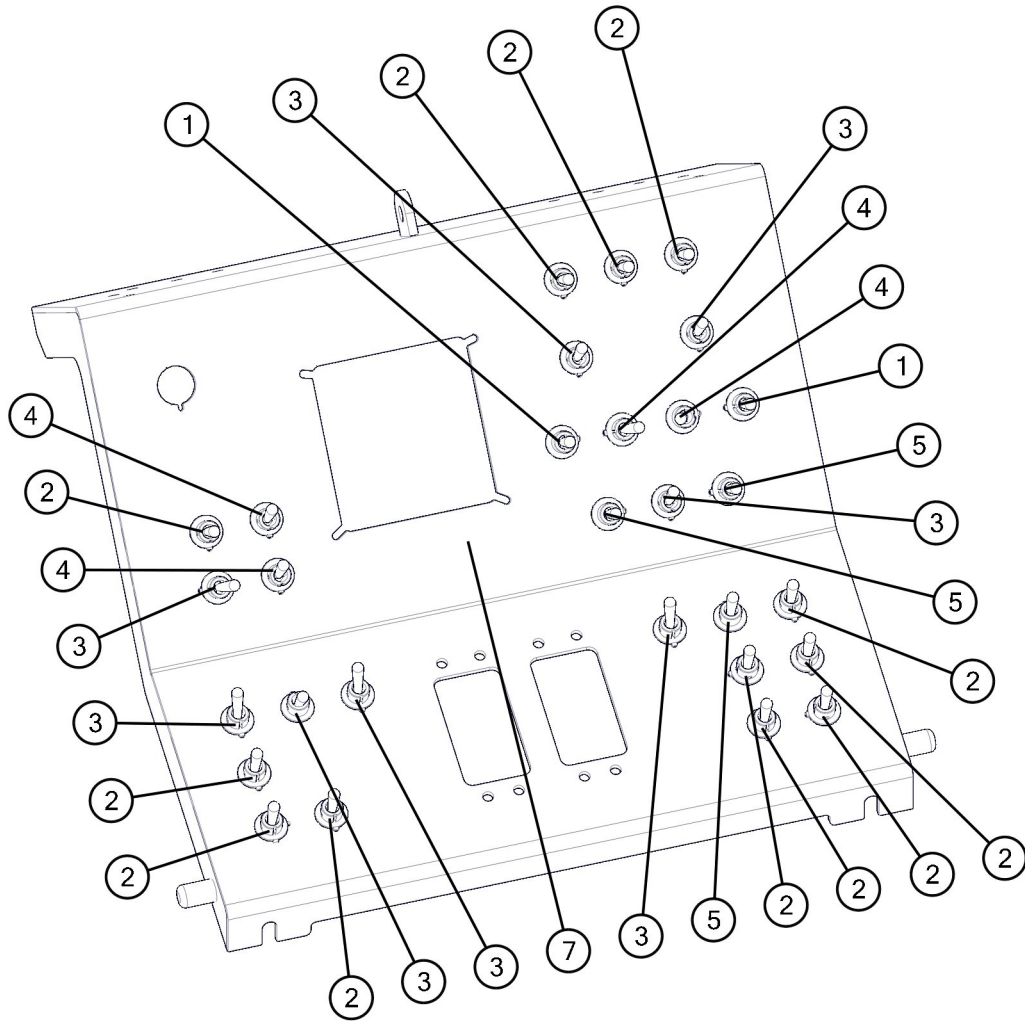
18.3 Right Hand Operator Panel



Right Hand Control Panel

BOM ID	Part Number	Description	Qty
1	020-123714	E-STOP, PUSH BUTTON	1
2	020-123714-1	E-STOP COUPLING	1
3	020-123714-2	E-STOP, CONTACTS	1
4	020-0905	MURPHY INFORMATION PANEL	1
5	020-0271	JOYSTICK	2
6	020-0497	TOGGLE SWITCH EXTENSION RED PLASTIC	4

18.3.1 Right Hand Operator Panel Toggle Switches

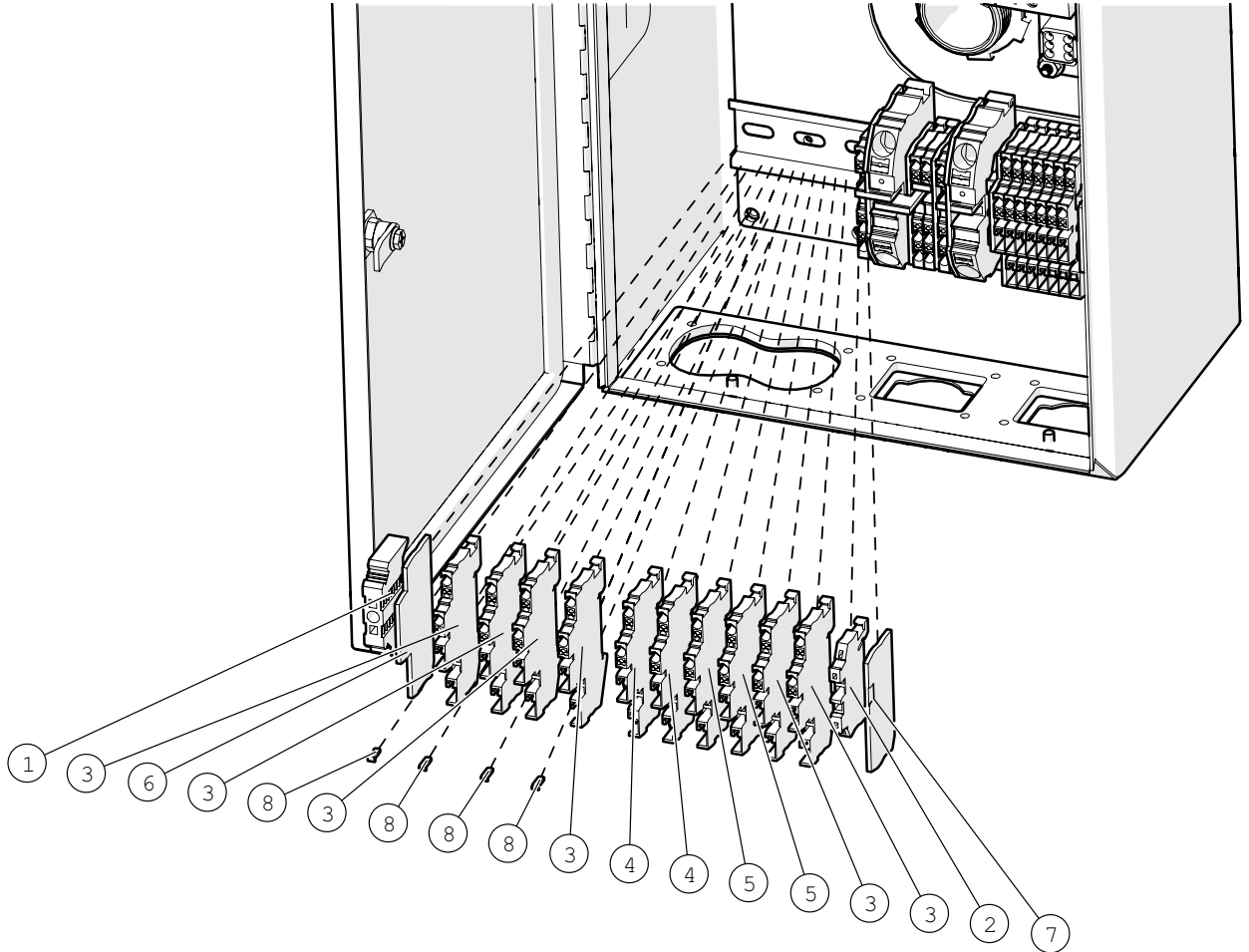


Right Hand Control Panel Toggles

BOM ID	Part Number	Description	Qty
1	020-0083	SWITCH ON-OFF-ON	2
2	020-0395	SWITCH Mom. ON-OFF-Mom. ON	12
3	020-0423	SWITCH Mom. ON-ON	8
4	020-0405	SWITCH ON-ON	4
5	020-0479	SWITCH Mom. ON-OFF-Det. ON	3
7	112-414250	OPERATOR'S DASH PANEL WELDEMENT, RIGHT	1

19 High Voltage Heater Control Box

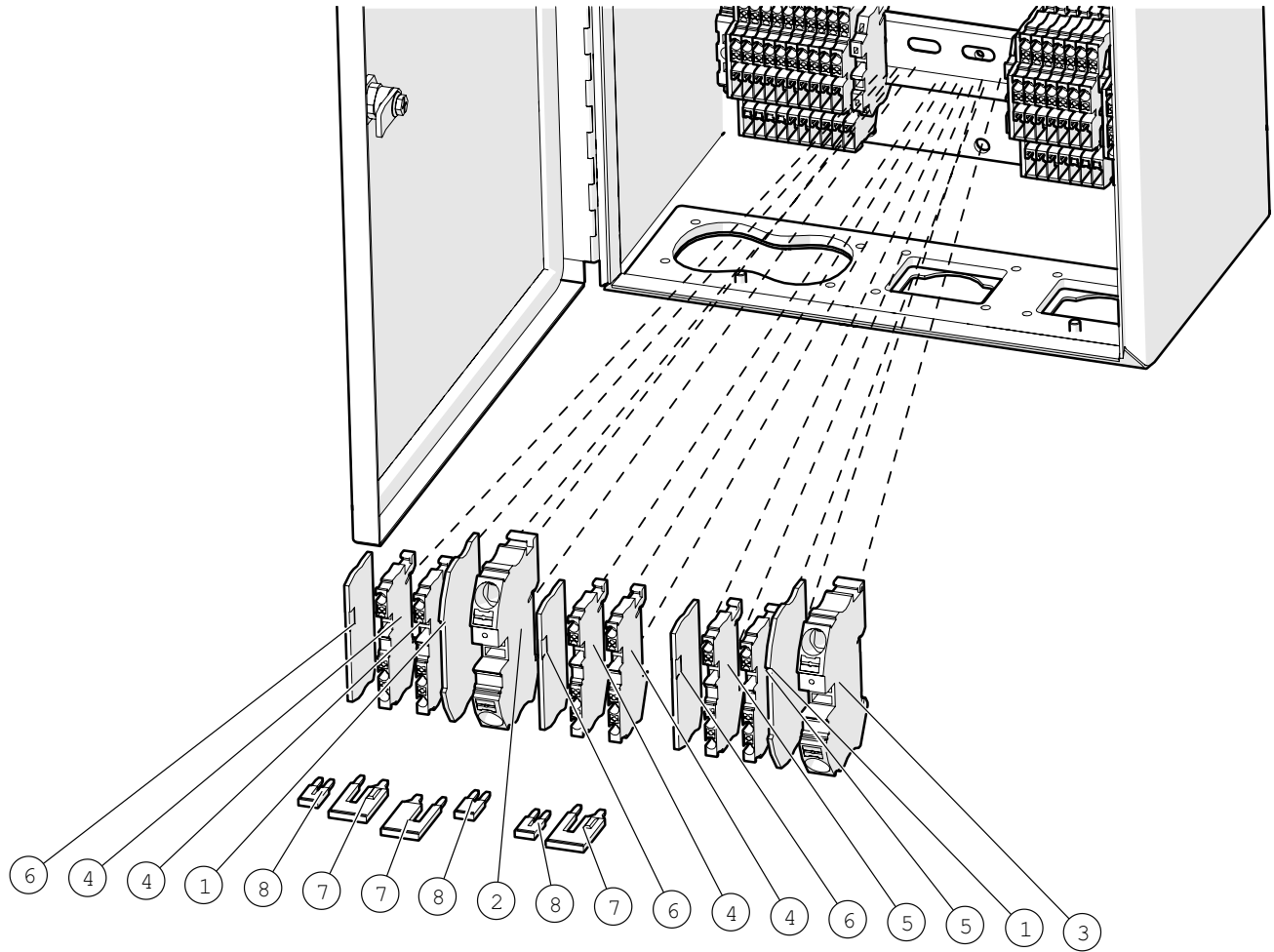
19.2 High Voltage Heater Control Box



High Voltage Heater Control Box

BOM ID	PART NUMBER	DESCRIPTION	Qty
1	020-1004	END CLAMP DIN RAIL	1
2	020-1159	END CLAMP	1
3	020-1160	DOUBLE LEVEL TERMINAL BLOCK	6
4	020-1161	PROTECTIVE CONDUCTOR DOUBLE-LEVEL TERMINAL BLOCK	2
5	020-1162	DOUBLE LEVEL TERMINAL BLOCK	2
6	020-1163	END COVER	1
7	020-1168	END COVER	1
8	020-1206	CODING STAR	4

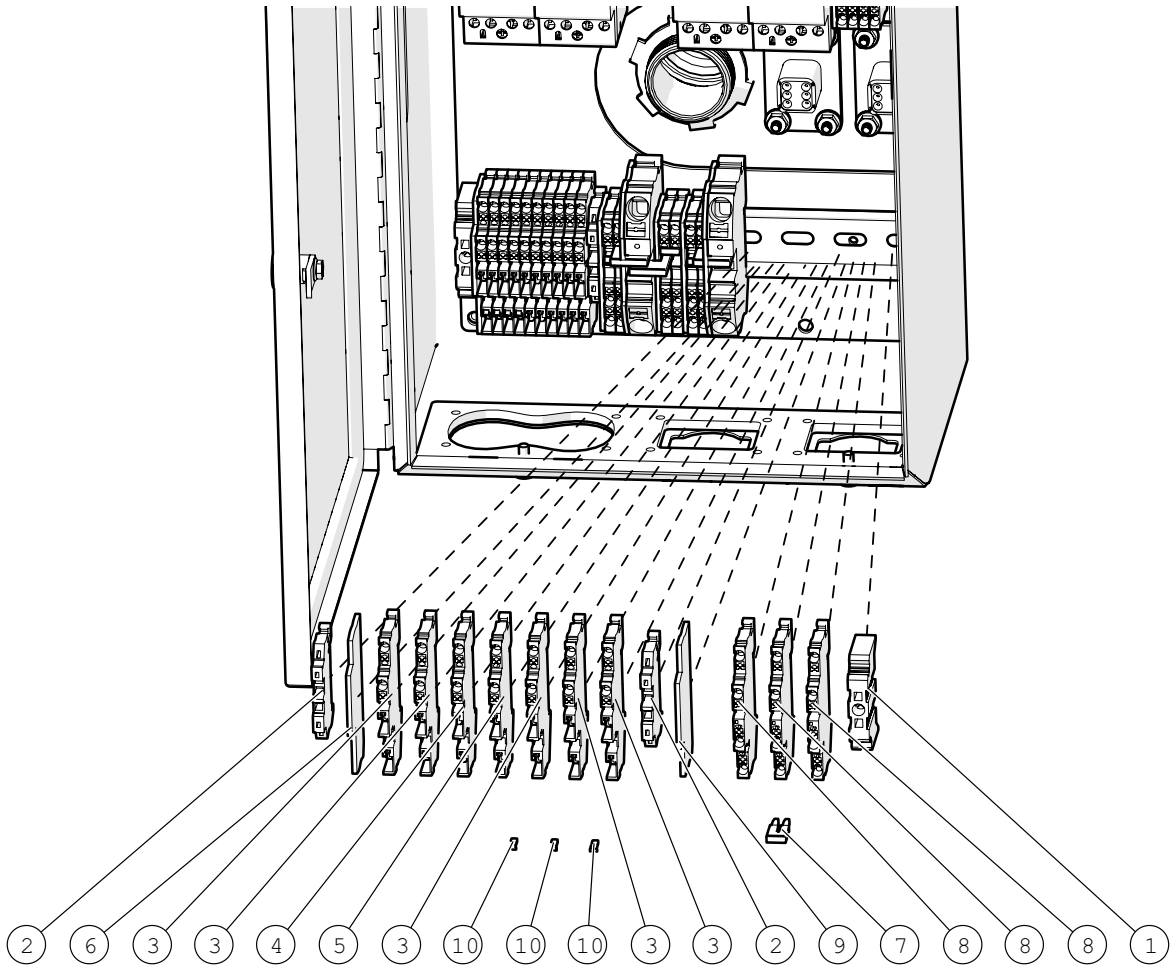
19.3 High Voltage Heat Control Box Cont.



High Voltage Heater Control Box

BOM ID	PART NUMBER	DESCRIPTION	Qty
1	020-1155	END COVER	2
2	020-1164	FEED-THROUGH TERMINAL BLOCK	1
3	020-1165	GROUND MODULAR TERMINAL BLOCK	1
4	020-1166	FEED-THROUGH TERMINAL BLOCK	4
5	020-1167	GROUND MODULAR TERMINAL BLOCK	2
6	020-1168	END COVER	3
7	020-1157	REDUCING BRIDGE	3
8	020-1169	PLUG-IN BRIDGE	3

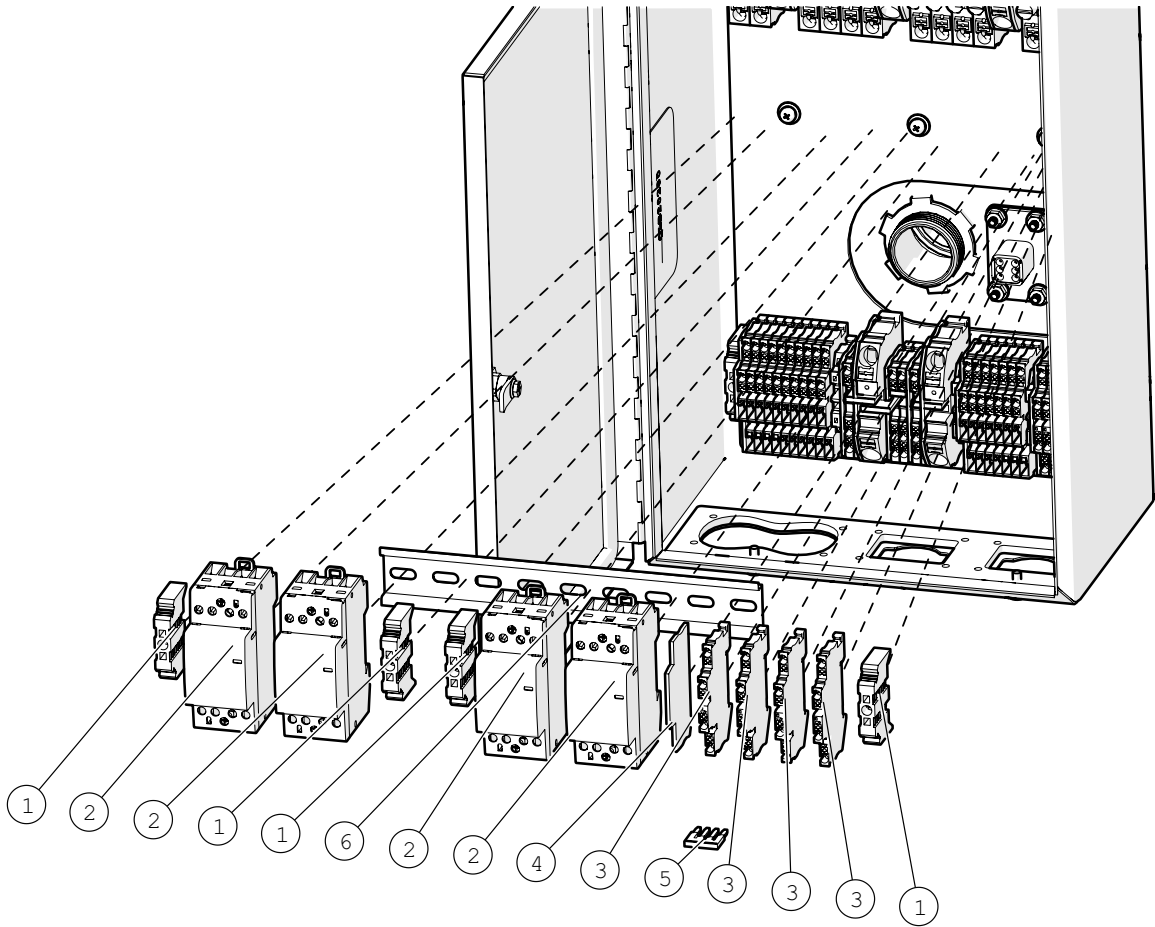
19.4 High Voltage Heat Control Box Cont.



High Voltage Heater Control Box

BOM ID	PART NUMBER	DESCRIPTION	Qty
1	020-1004	END CLAMP DIN RAIL	1
2	020-1159	END CLAMP	2
3	020-1160	DOUBLE LEVEL TERMINAL BLOCK	5
4	020-1161	PROTECTIVE CONDUCTOR DOUBLE-LEVEL TERMINAL BLOCK	1
5	020-1162	DOUBLE LEVEL TERMINAL BLOCK	1
6	020-1163	END COVER	1
7	020-1169	PLUG-IN BRIDGE	1
8	020-1170	DOUBLE-LEVEL TERMINAL BLOCK	3
9	020-1171	END COVER	1
10	020-1206	CODING STAR	3

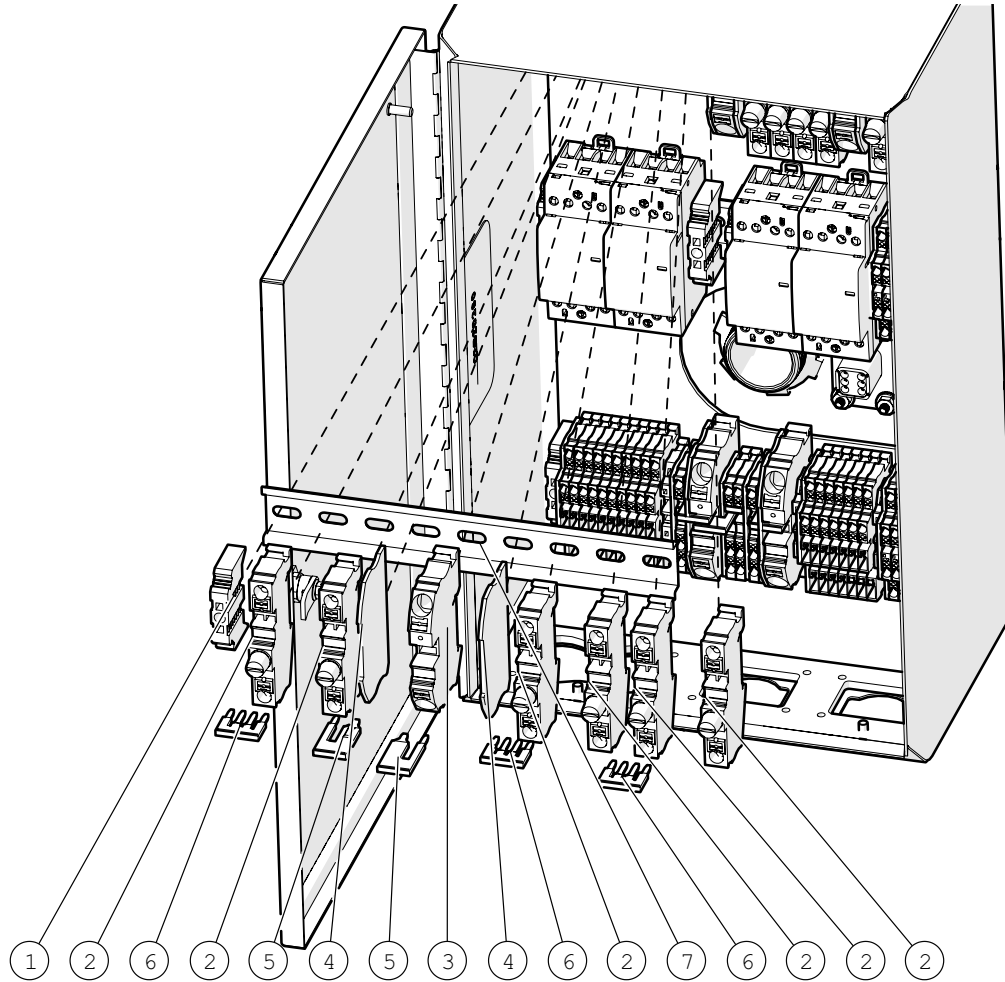
19.5 High Voltage Heat Control Box Cont.



High Voltage Heat Control Box Cont.

BOM ID	PART NUMBER	DESCRIPTION	Qty
1	020-1004	END CLAMP DIN RAIL	4
2	020-1023	CONTACTOR 25 AMP 4-POLE	4
3	020-1170	DOUBLE-LEVEL TERMINAL BLOCK	4
4	020-1171	END COVER	1
5	020-1173	PLUG-IN BRIDGE	1
6	020-421287	DIN RAIL	1

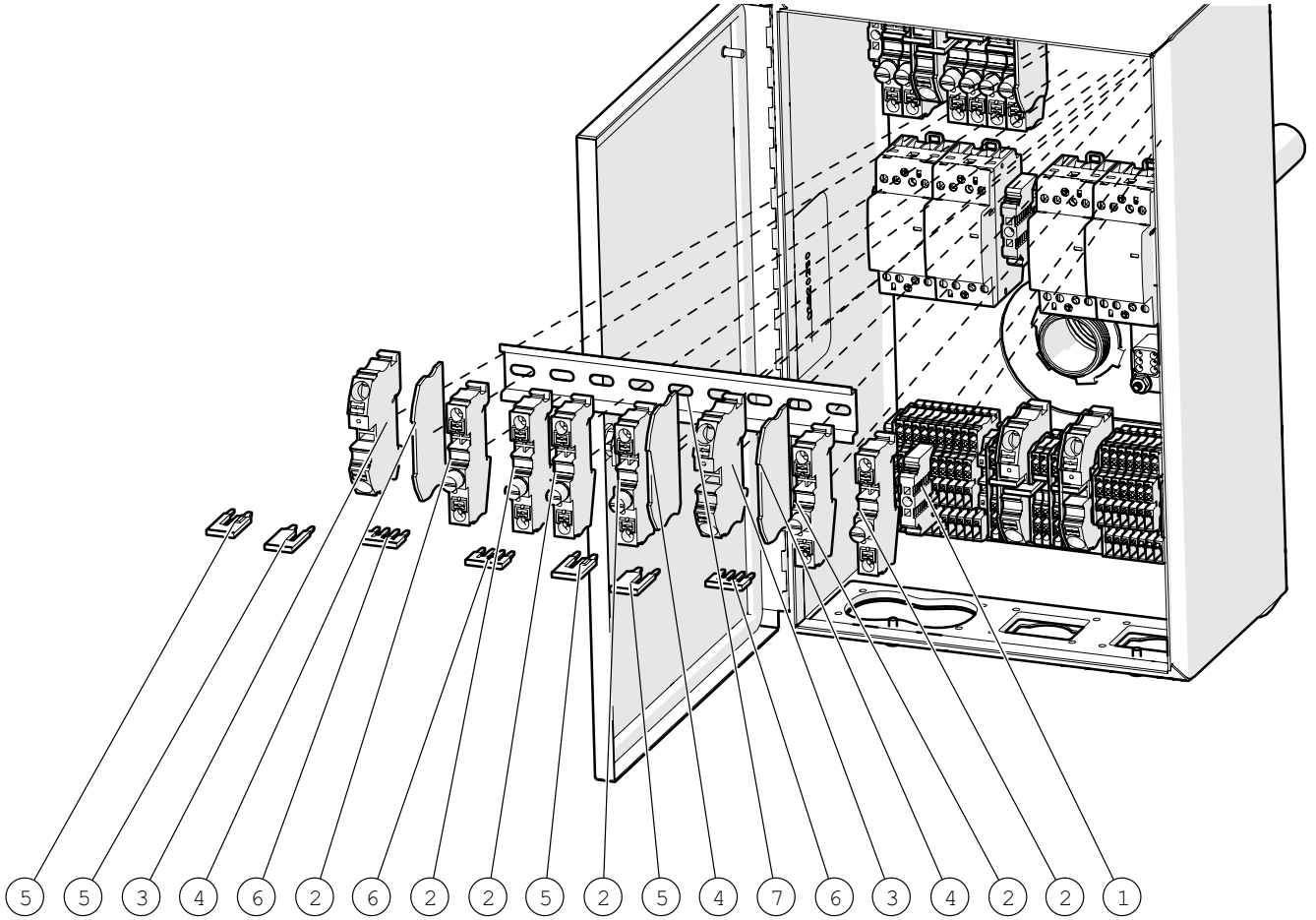
19.6 High Voltage Heat Control Box Cont.



High Voltage Heat Control Box Cont.

BOM ID	PART NUMBER	DESCRIPTION	Qty
1	020-1004	END CLAMP DIN RAIL	1
2	020-1153	FUSE MODULAR TERMINAL BLOCK	6
3	020-1154	FEED-THROUGH TERMINAL BLOCK	1
4	020-1155	END COVER	2
5	020-1157	REDUCING BRIDGE	2
6	020-1158	PLUG-IN BRIDGE	3
7	020-421287	DIN RAIL STEEL	1

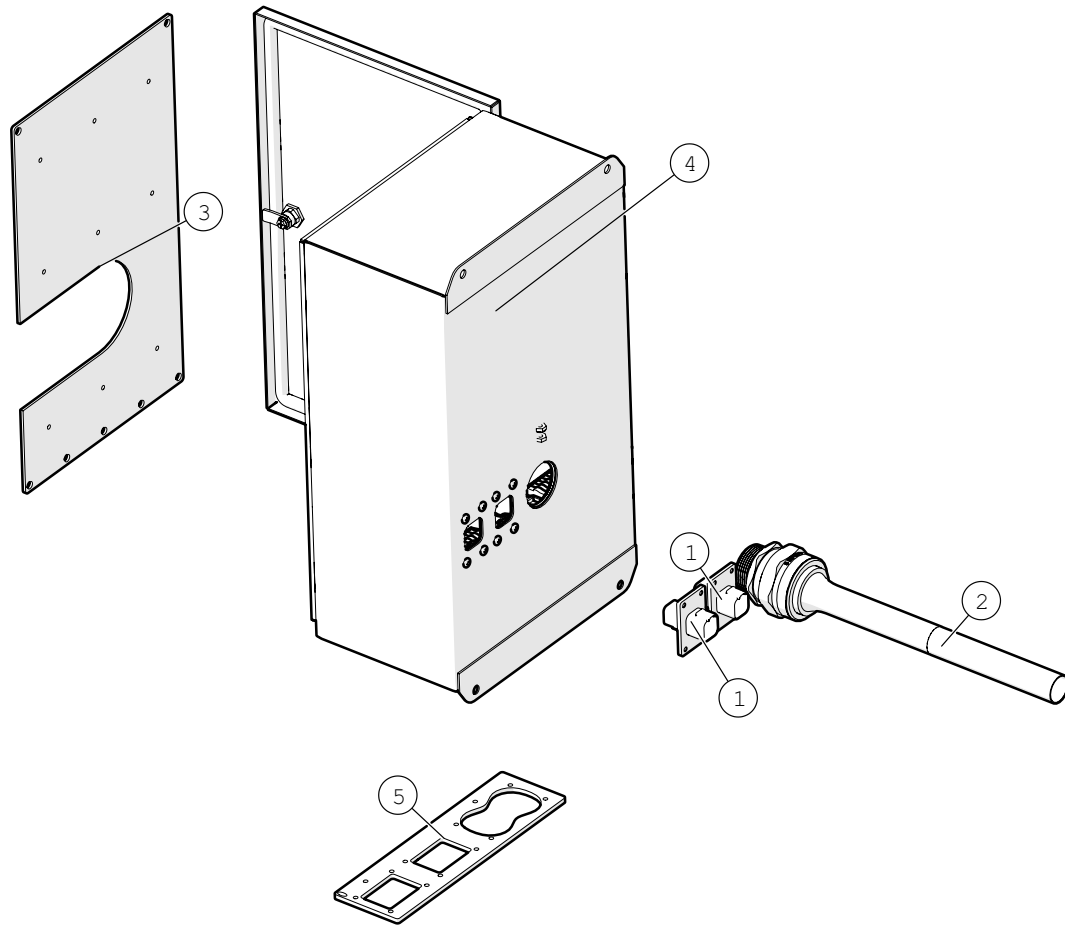
19.7 High Voltage Heat Control Box Cont.



High Voltage Heat Control Box Cont.

BOM ID	PART NUMBER	DESCRIPTION	Qty
1	020-1004	END CLAMP DIN RAIL	1
2	020-1153	FUSE MODULAR TERMINAL BLOCK	6
3	020-1154	FEED-THROUGH TERMINAL BLOCK	2
4	020-1155	END COVER	3
5	020-1157	REDUCING BRIDGE	4
6	020-1158	PLUG-IN BRIDGE	3
7	020-421287	DIN RAIL STEEL	1

19.8 High Voltage Heat Control Box Rear



High Voltage Heat Control Box Rear

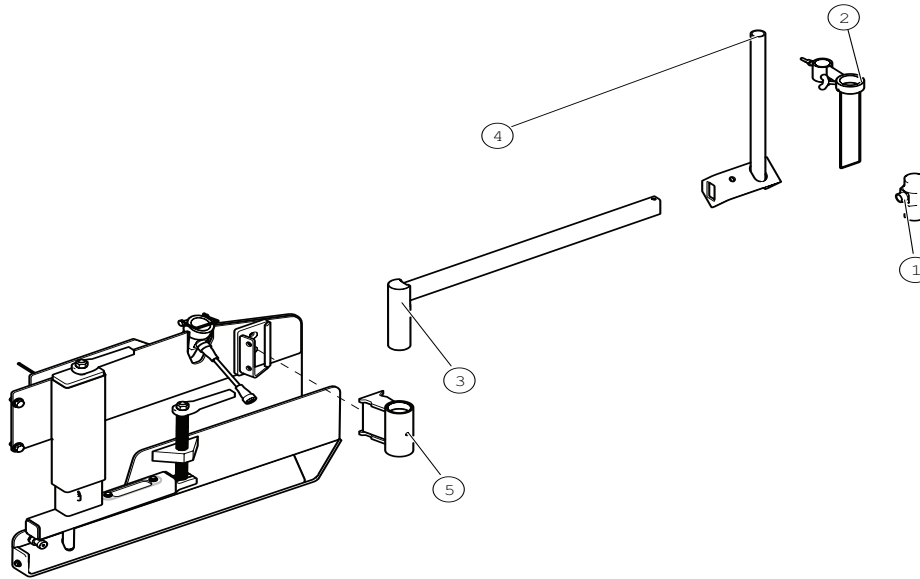
BOM ID	PART NUMBER	DESCRIPTION	Qty
1	020-1038	RECEPTACLE DEUTSCH DT 6-PIN FLANGED	2
2	020-1224	ALUMINUM CORD GRIP WITH MESH	1
3	020-421286	HEAT ENCLOSURE BACKPANEL	1
4	020-421289	HIGH VOLTAGE HEAT ENCLOSURE	1
5	020-421297	HEATER ENCLOSURE RESISTOR HARNESS FLANGE THREAD PLATE	1

20 Optional Equipment

20.1 Screed Automation Package Items

**This Page Left Blank
Intentionally**

Screed Automation Package

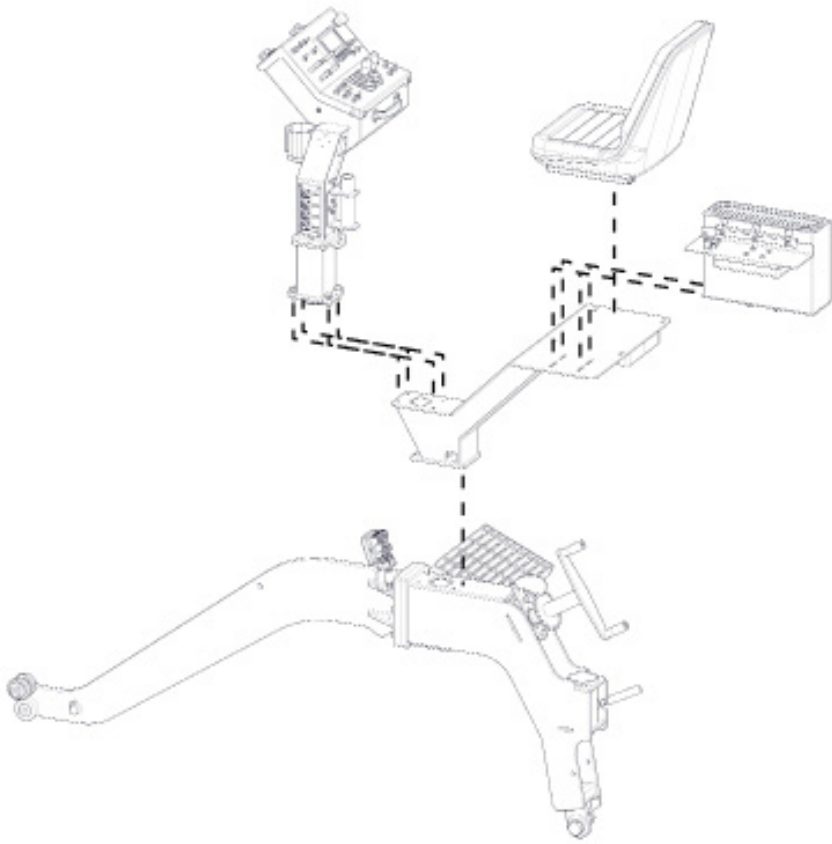


Single Grade			
ID	Number	Description	Qty
	110-202220	Single Grade Kit	
1	020-0506A	Grade Sensor (White)	1
2	112-202260	Grade Sensor Bracket	2
3	112-202230	Grade Pivot Arm	2
4	112-202240	Grade Height Bracket	2
5	112-202220	Mount Grade Base	2
6	050-0393	Carrying Case	1
7	020-0591	Foam Packaging	1
8	020-0358	Controller Handheld	1
9	020-0385-1	Controller Mounts	1
10	050-0604	Cable wiring Handheld	1
11	050-0350	Cable wiring Grade Sensor	1
12	030-0494	Hardware Kit	1

Dual Grade			
ID	Number	Description	Qty
	110-20222-2	Dual Grade Kit	
13	020-0385	Controller Handheld	1
14	020-0506	Grade Sensor (Red)	1
15	020-0604	Cable wiring Handheld	1
16	050-0350	Cable wiring sensor	1

Optional Equipment			
14	050-0667	Cable Topcon	

20.2 Road Crew Kit

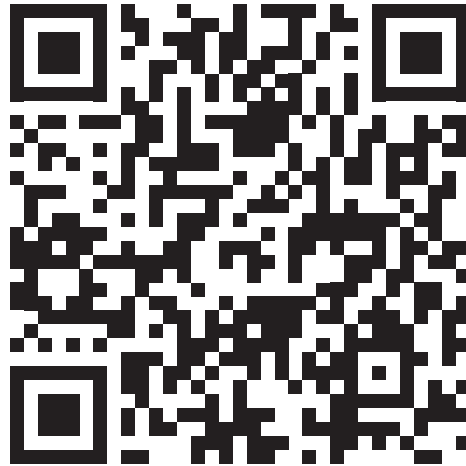


Road Crew Kit

BOM ID	PART NUMBER	DESCRIPTION	Qty
	110-414311	COMPLETE ROAD CREW KIT	1
Individual Components			
1	112-414311	OPTIONAL HIGH DECK WELDMENT, LEFT	1
2	111-414320	TOOL BOX ASSEMBLY	1
3	060-0049	STANDARD OPERATOR SEAT	1
4	020-0503-A	REMOTE 3 FUNCTION SCREED REMOTE	2
5	050-0350	CABLE SCREED REMOTE	2
6	020-0505	MOUNT SCREED REMOTE UNIVERSAL	2

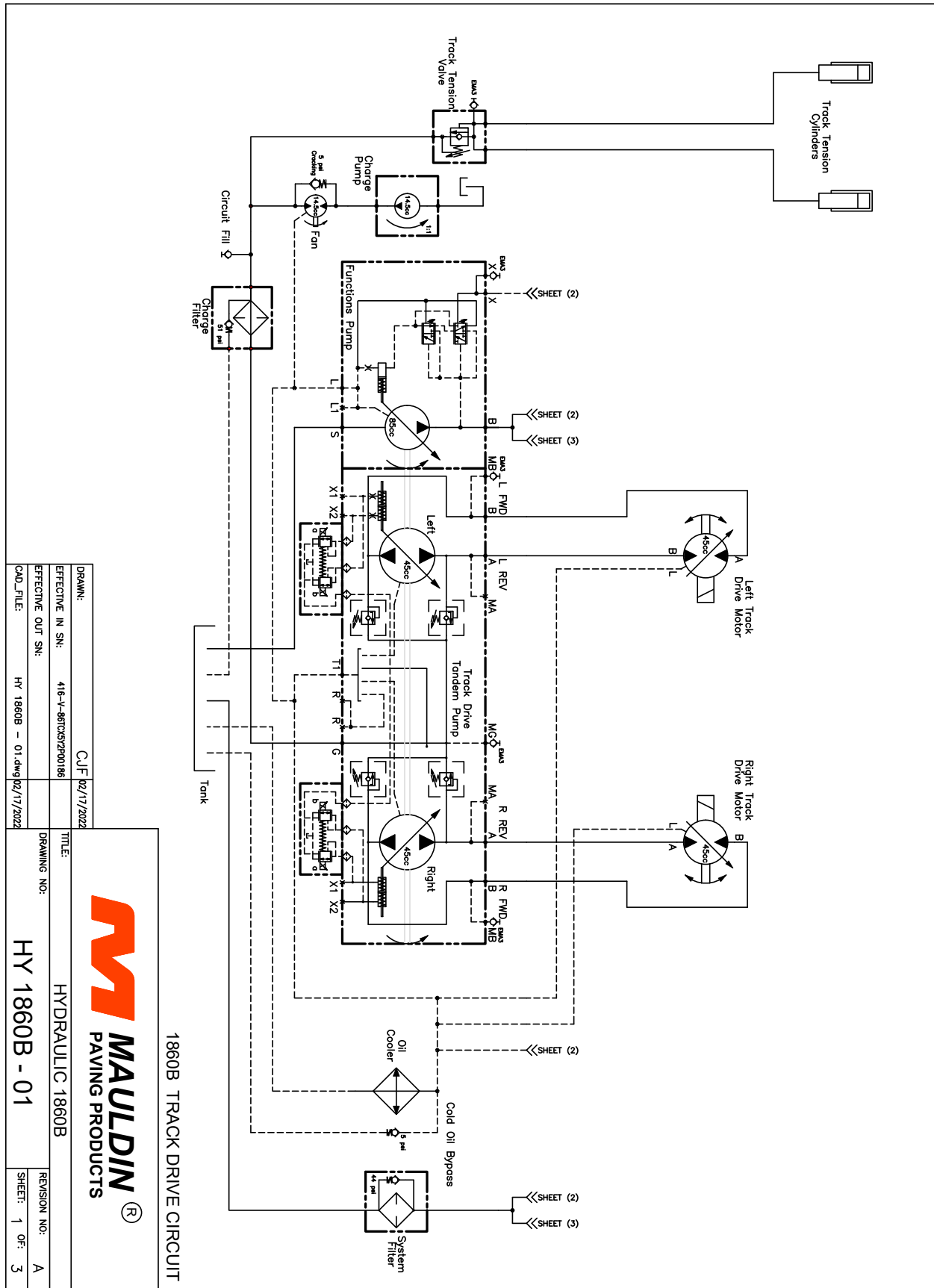
Technical Info

21.1 Electrical Schematics

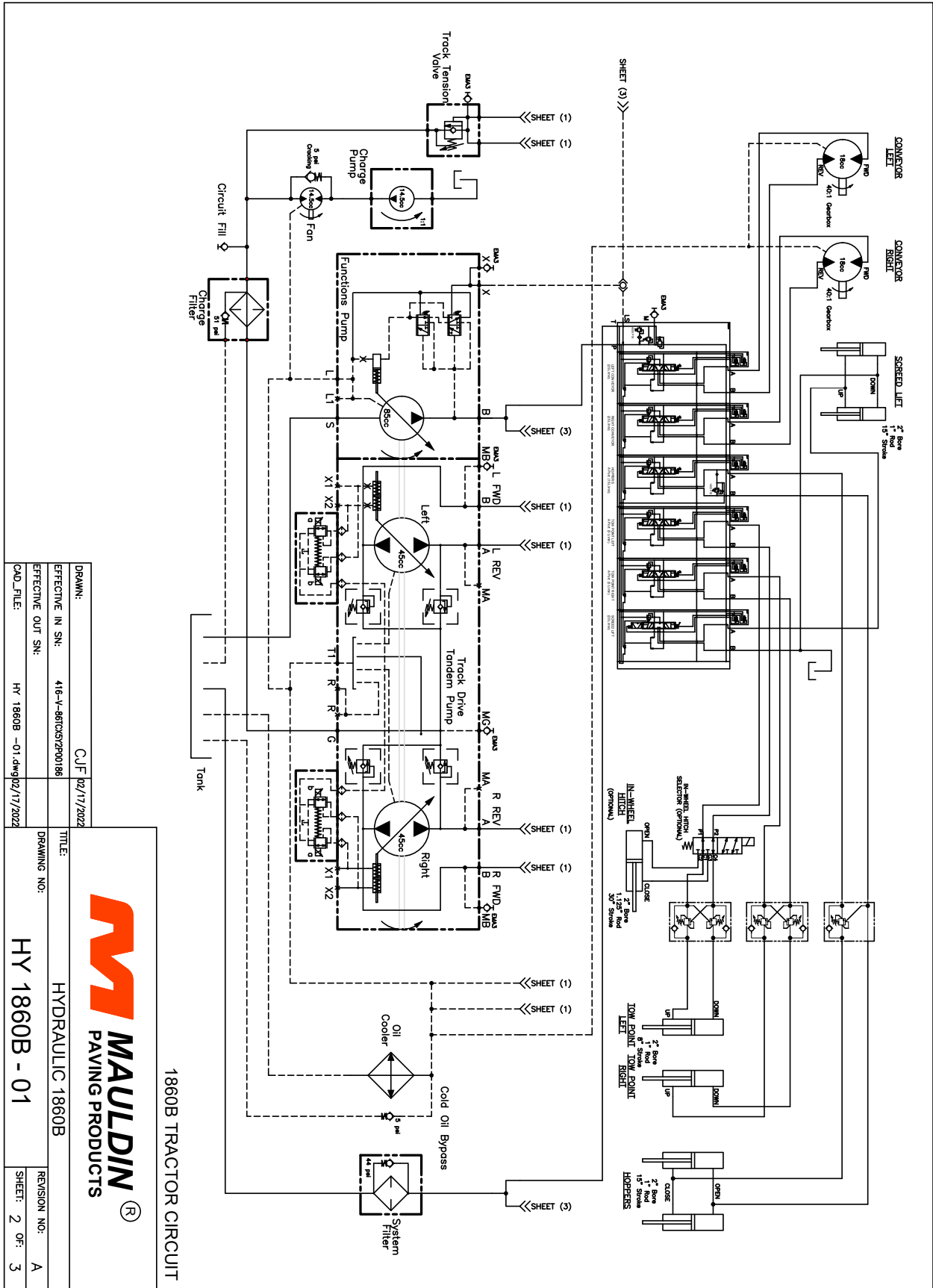


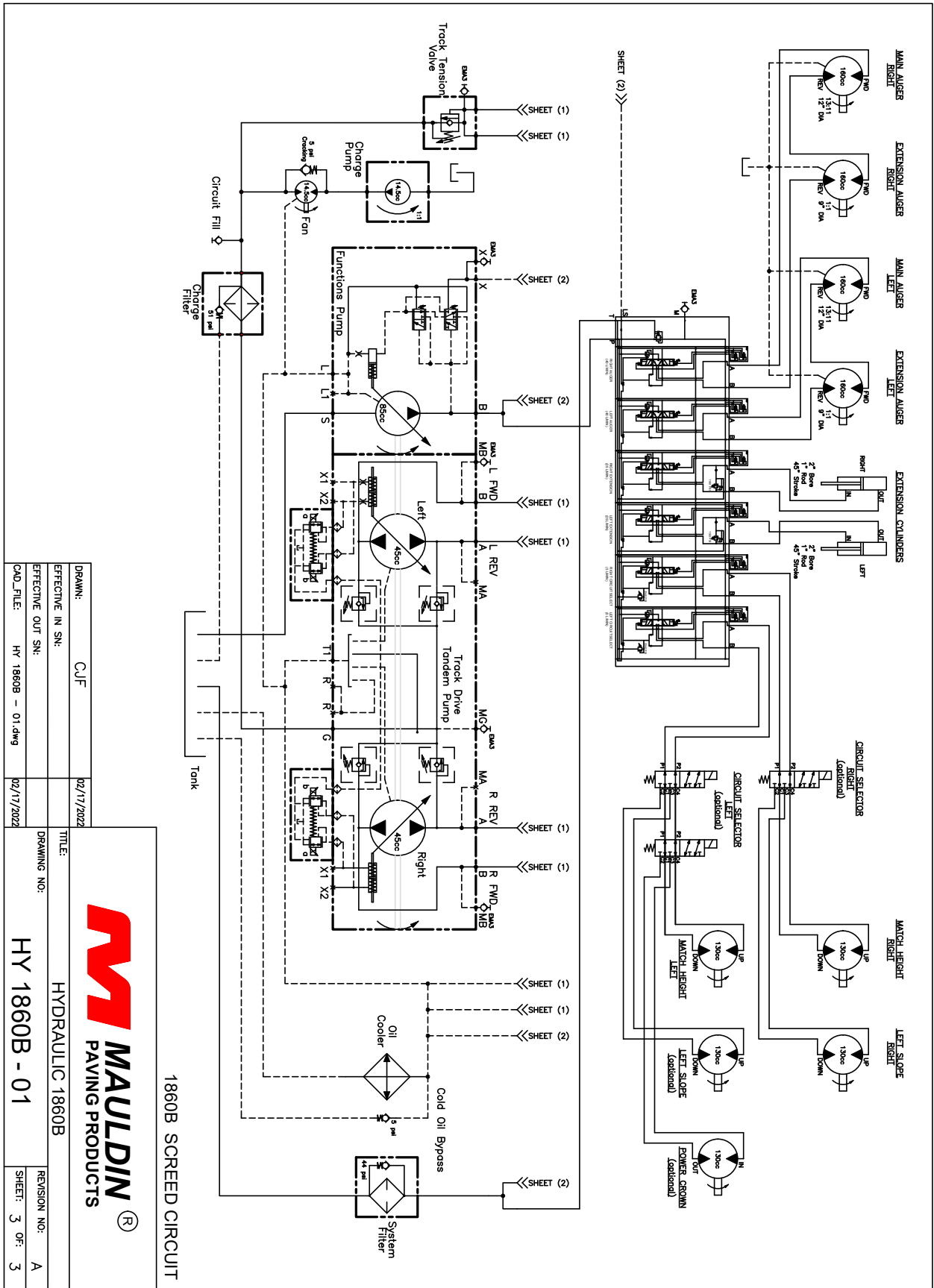
Scan for 1860B Electrical Schematics

21.1 Hydraulic Schematics



DRAWN: C.J.F. 02/17/2022		TITLE: 1860B TRACK DRIVE CIRCUIT	
EFFECTIVE IN SN: 416-V-86TCX5Y2P00186		HYDRAULIC 1860B	
EFFECTIVE OUT SN:		MAULDIN PAVING PRODUCTS	
CAD FILE: HY 1860B - 01.dwg 02/17/2022		DRAWING NO: HY 1860B - 01	
		REVISION NO: A	
		SHEET: 1 OF 3	







CALDER BROTHERS CORPORATION
(LIMITED) PRODUCT WARRANTY

Calder Brothers Corporation warrants that the Paver, Roller, Tank or Grader under this program will be free from defects in material and workmanship for a period of (12) twelve months from the date of installation. Written notice of any claimed defect must be given to Calder Brothers Corporation within the warranty period and within (30) thirty days after such defect is discovered. Liability under this warranty is limited to replacing or repairing at Calder Brothers Corporation election, any part or parts deemed defective after examination by Calder Brothers Corporation or an Authorized Service Representative via prepaid transportation for which is found to be defective, will be repaired or replaced and returned to the customer via prepaid surface transportation within the United States. Should any part be found not defective, inspection and handling may be charged to the customer by Mauldin or an Authorized Service Representative.

EXCLUSIONS:

This warranty does not apply to routine wearable parts of the Mauldin machine such as seals, points, plugs, hoses or similar items. This warranty does not extend to any machine or part replaced or repaired under this warranty. This warranty does not cover any repair or replacement labor or any part of parts found defective after examination by Mauldin or an Authorized Service Representative. This warranty does not apply to defects caused by casualty or unreasonable use, including faulty repairs by others and failure to provide reasonable and necessary maintenance.

THIS WARRANTY SET FORTH HEREIN IS IN LIEU OF AND EXCLUDES ANY AND ALL OTHER WARRANTIES, EXPRESSED OR IMPLIED, ARISING BY OPERATION OF LAW OR OTHERWISE, INCLUDING, BUT NOT LIMITED TO, ANY IMPLIED WARRANTY OF MERCHANTABILITY OR FITNESS FOR A PARTICULAR PURPOSE, AND CUSTOMER WAIVES ANY OBLIGATION OF LIABILITY OF MAULDIN ARISING IN TORT OR STRICT LIABILITY IN TORT, OR FOR LOSS OR USE, REVENUE OR PROFIT WITH RESPECT TO MAULDIN MACHINE AND/OR PARTS FOR ANY LIABILITY OF CUSTOMER TO ANY THIRD PARTY, OR FOR OTHER DIRECT, INCIDENTAL OR CONSEQUENTIAL DAMAGES.

I have read and fully understand the warranty policy above.

Customer
CALDER BROTHERS CORPORATION

Witness