

Calder Brothers Corporation
 450 E Warehouse Ct
 Taylors, SC 29687

Main Fuse Panel

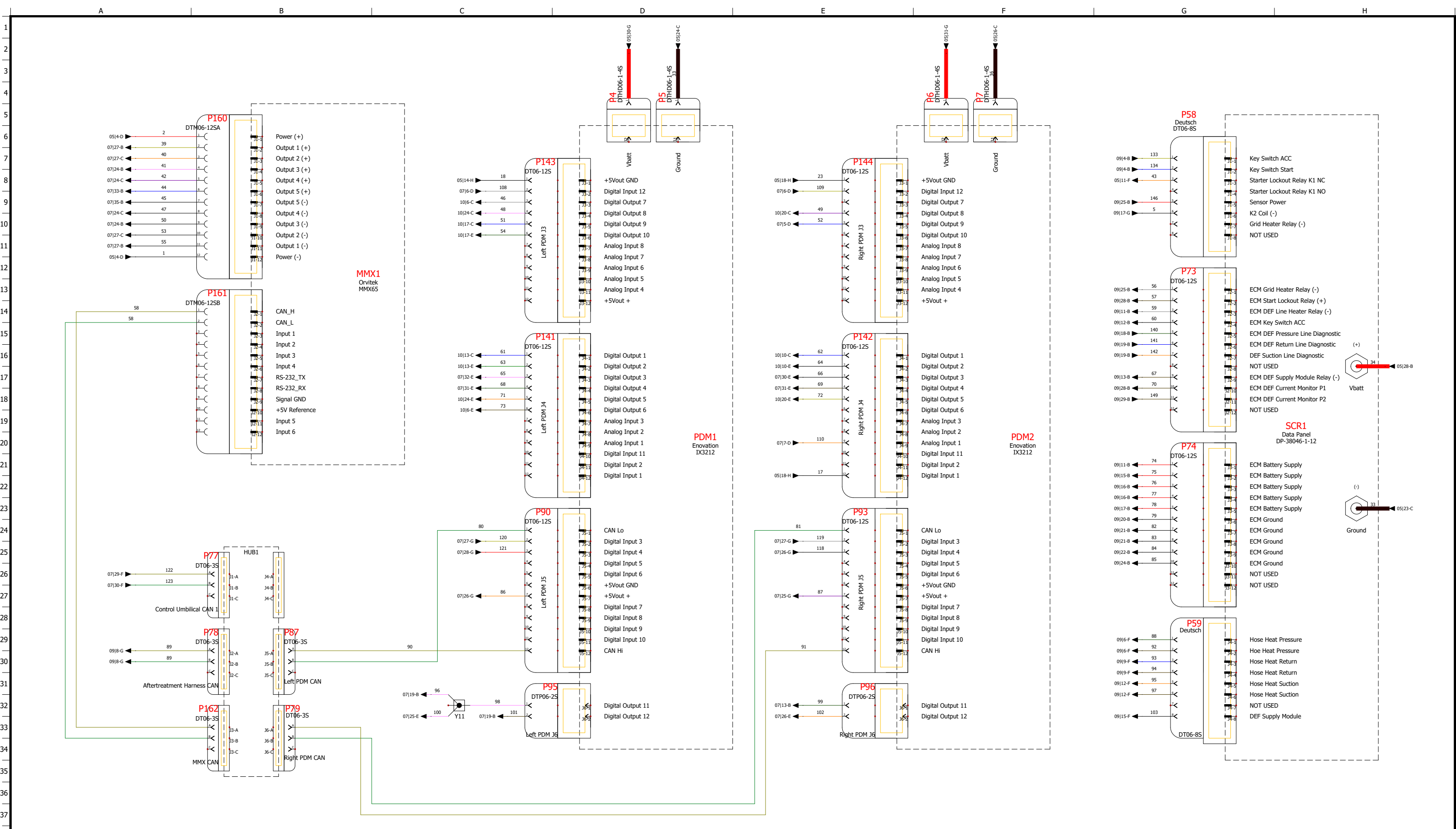
CONTRACT:

LOCATION: P

Paver

REV.	DATE	NAME	CHANGES
0	9/29/2021	lgibson	
User data 1			User data 2

REVISION
 0
 SCHEME
 05



MAULDIN
BY CALDER BROTHERS

Calder Brothers Corporation
450 E Warehouse Ct
Taylors, SC 29687

Tractor PDM Center

CONTRACT: _____

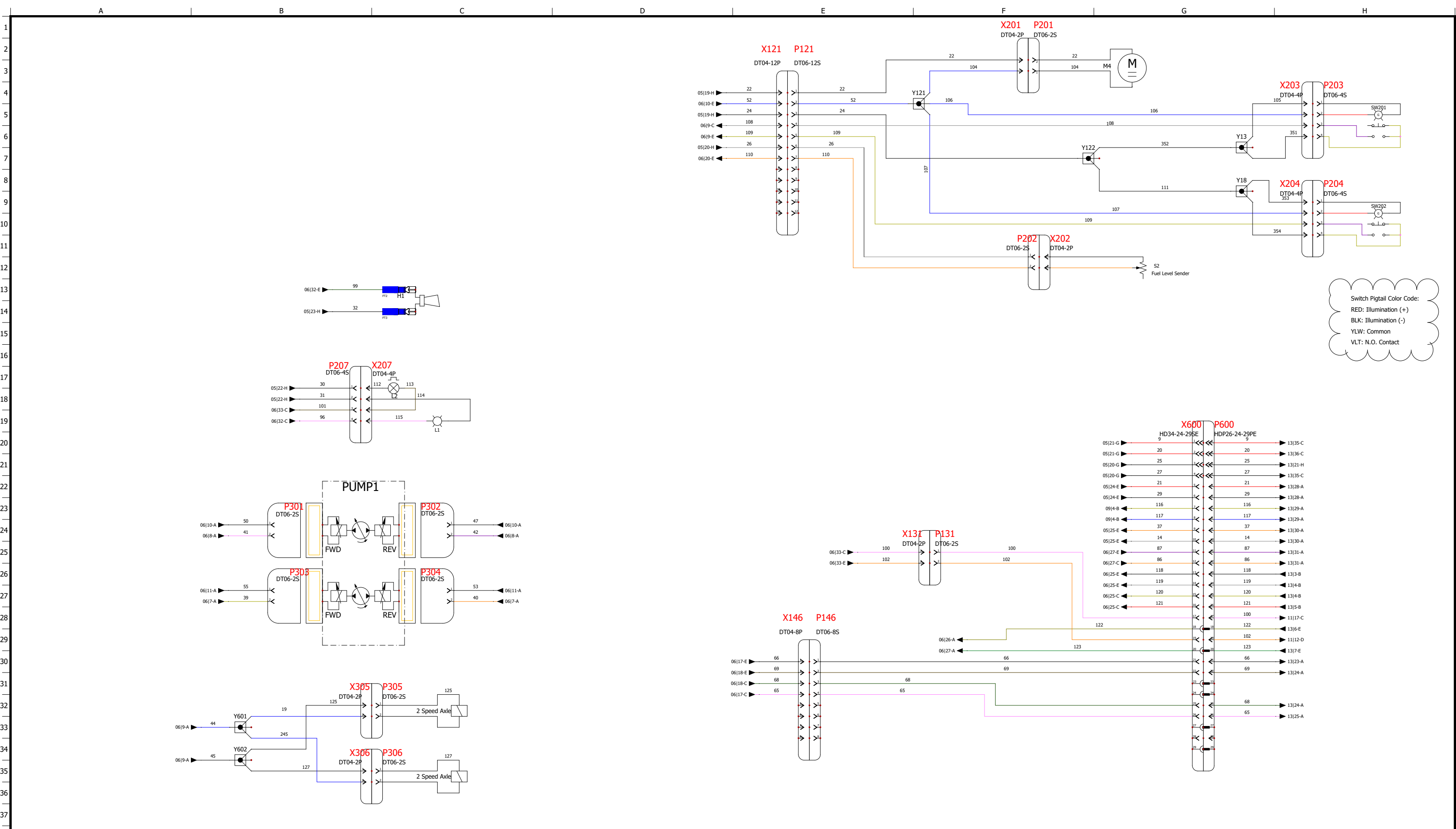
LOCATION: P T EB PC1

PDM Center

REV.	DATE	NAME	CHANGES
0	9/29/2021	lgibson	
User data 1			User data 2

REVISION
0

SCHEME
06



Switch Pigtail Color Code:
 RED: Illumination (+)
 BLK: Illumination (-)
 YLW: Common
 VLT: N.O. Contact

MAULDIN
 BY CALDER BROTHERS

Calder Brothers Corporation
 450 E Warehouse Ct
 Taylors, SC 29687

Tractor Wiring

CONTRACT: _____

LOCATION: **P T EB**

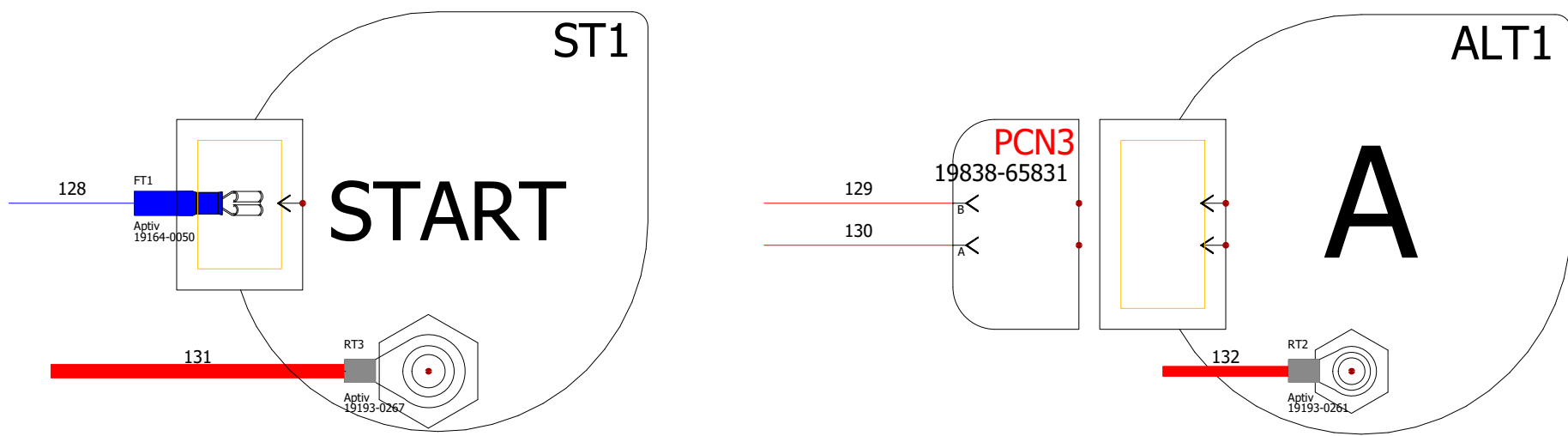
Engine Bay

REV.	DATE	NAME	CHANGES	SCHEME
0	9/29/2021	lgibson		07
			User data 1	
			User data 2	

REVISION
0

SCHEME
07

1
2
3
4
5
6
7
8
9
10
11
12

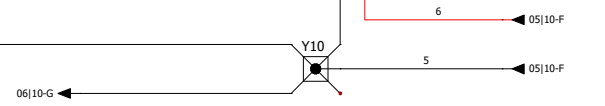
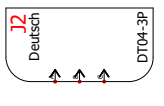
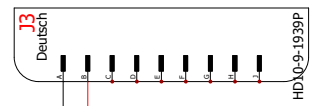
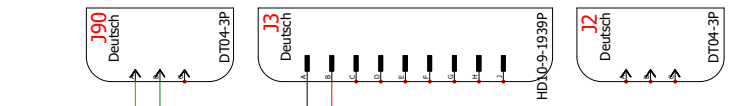
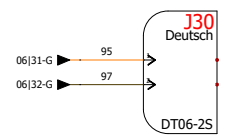
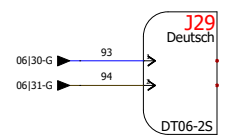
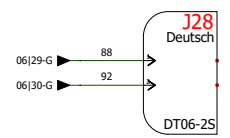
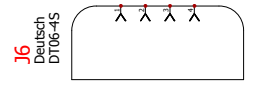
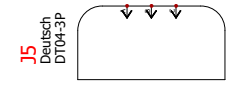
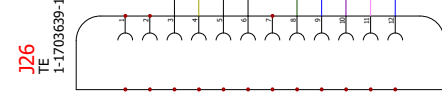
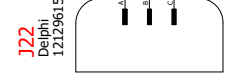
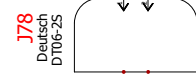
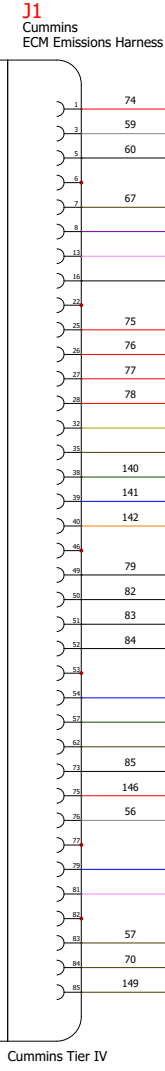
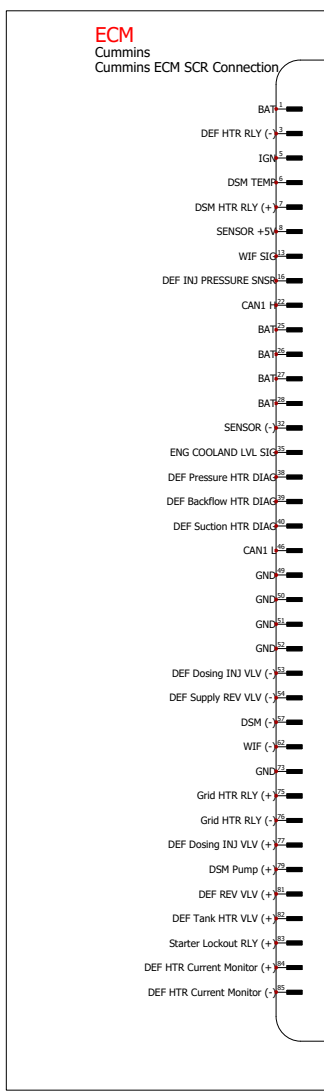
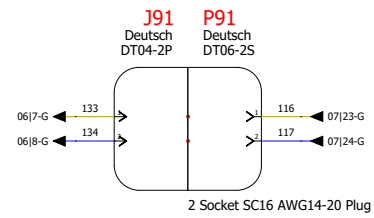


Calder Brothers Corporation
450 E Warehouse Ct
Taylors, SC 29687

Engine
LOCATION: P T EB
Engine Bay

REV.	DATE	NAME	CHANGES
0	9/29/2021	lgibson	
User data 1			User data 2

REVISION
0
SCHEME
08



Calder Brothers Corporation
450 E Warehouse Ct
Taylors, SC 29687

SCR Emissions Control

CONTRACT:

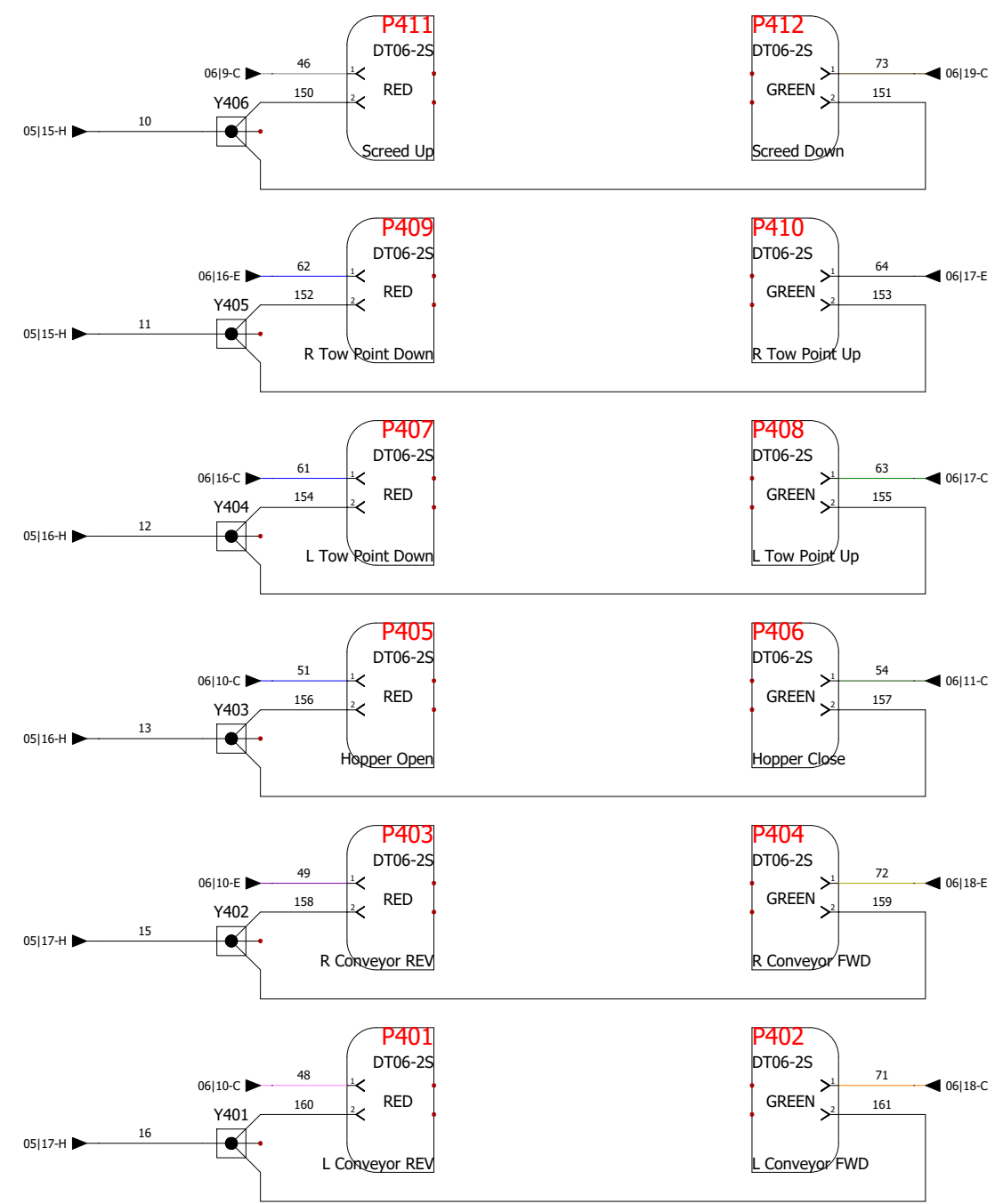
LOCATION: P T EB AFT1

Aftertreatment Control Harness

REV.	DATE	NAME	CHANGES
0	10/6/2021	lgibson	
User data 1			User data 2

REVISION
0
SCHEME
09

1
2
3
4
5
6
7
8
9
10
11
12
13
14
15
16
17
18
19
20
21
22
23
24
25
26
27
28
29



Calder Brothers Corporation
450 E Warehouse Ct
Taylors, SC 29687

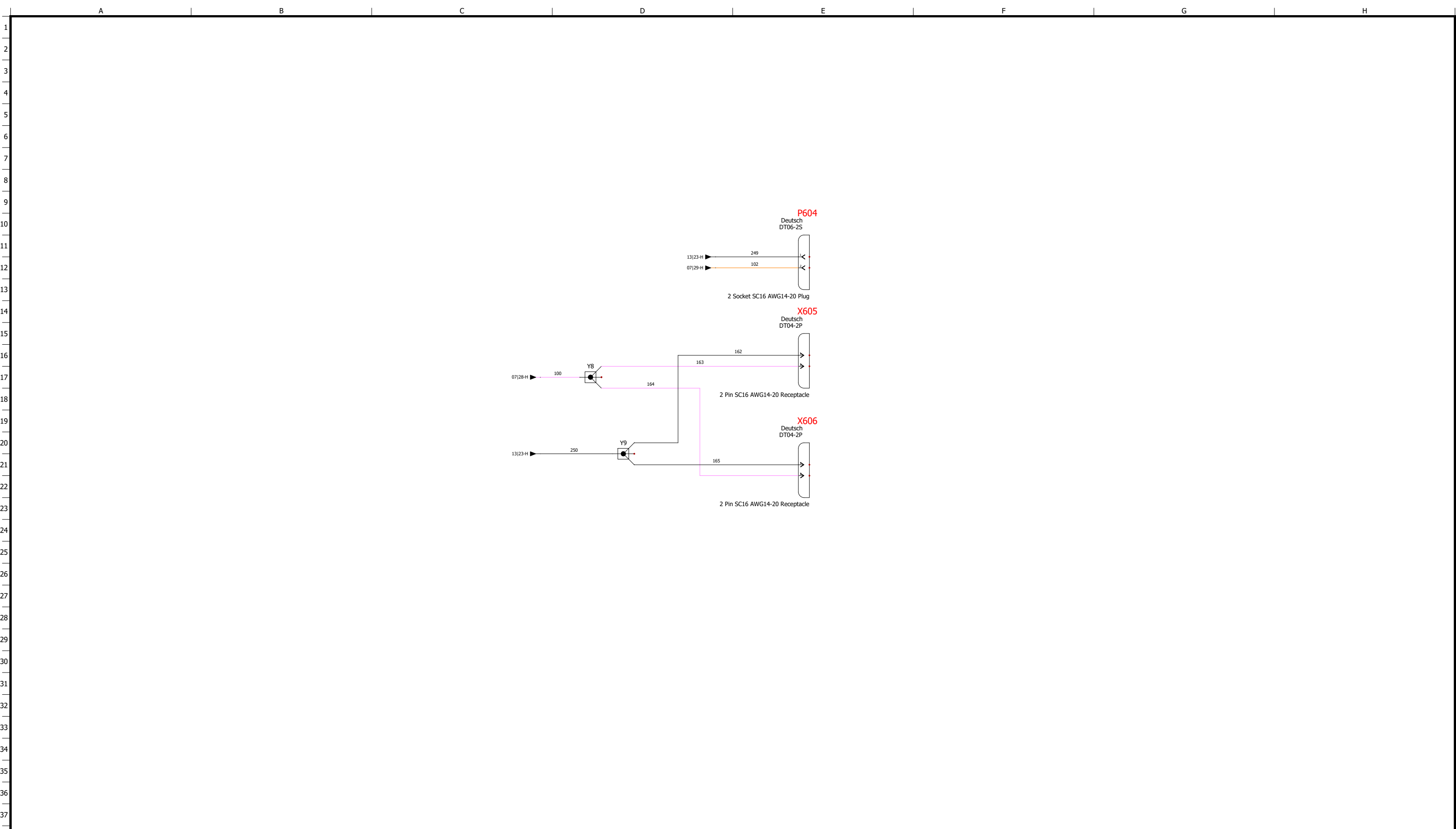
Tractor Valve Stack

CONTRACT:

LOCATION: P T HVS1

Hydraulic Valve Stack

				REVISION
				0
0	9/29/2021	lgibson		
REV.	DATE	NAME	CHANGES	
				SCHEME
User data 1			User data 2	10



Calder Brothers Corporation
 450 E Warehouse Ct
 Taylors, SC 29687

Screed Control Umbilical

0	1/27/2022	lgibson	

REVISION
0

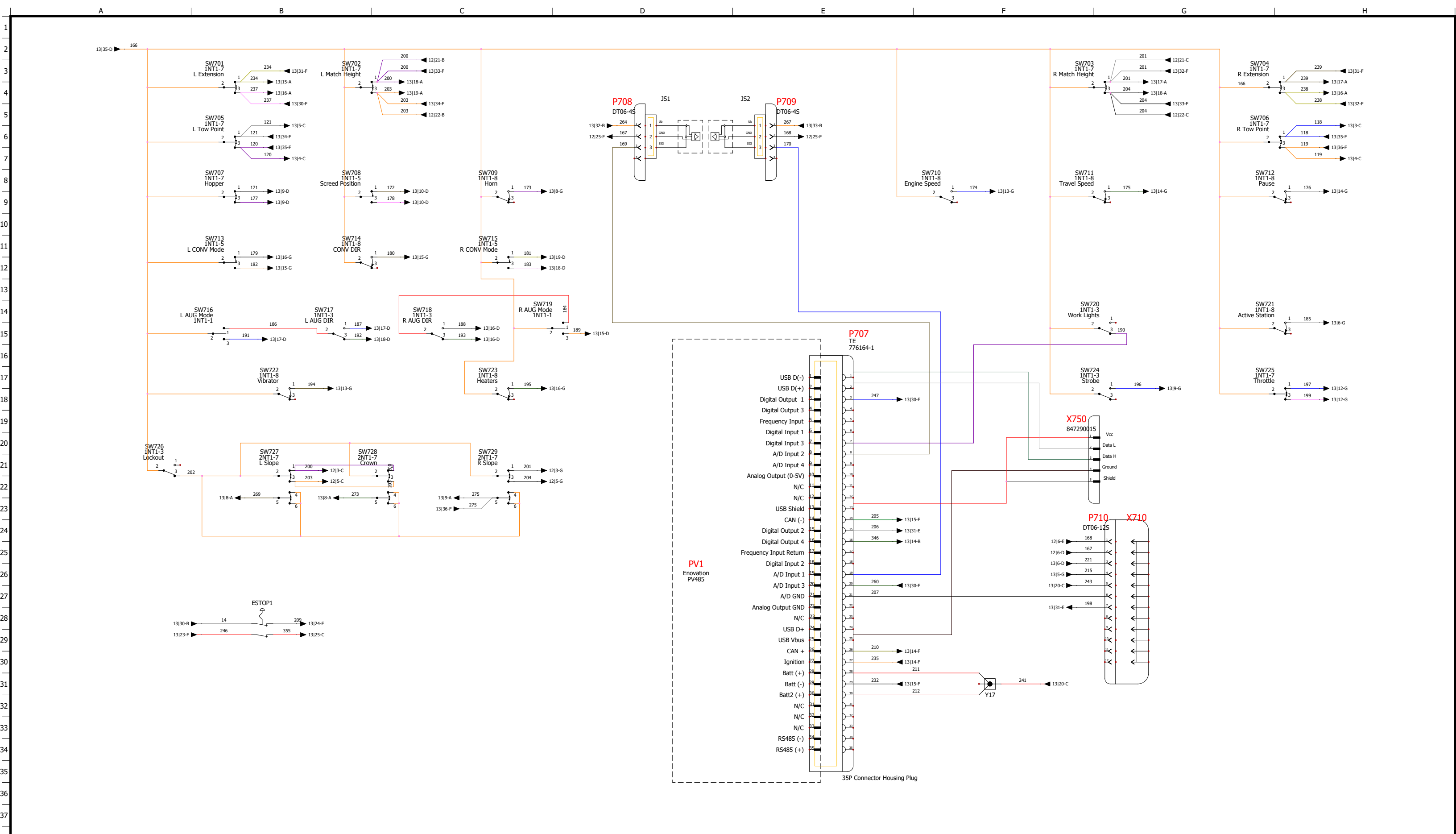
REV.	DATE	NAME	CHANGES

SCHEME
11

CONTRACT:

LOCATION: P Paver

User data 1	User data 2
-------------	-------------



Calder Brothers Corporation
 450 E Warehouse Ct
 Taylors, SC 29687

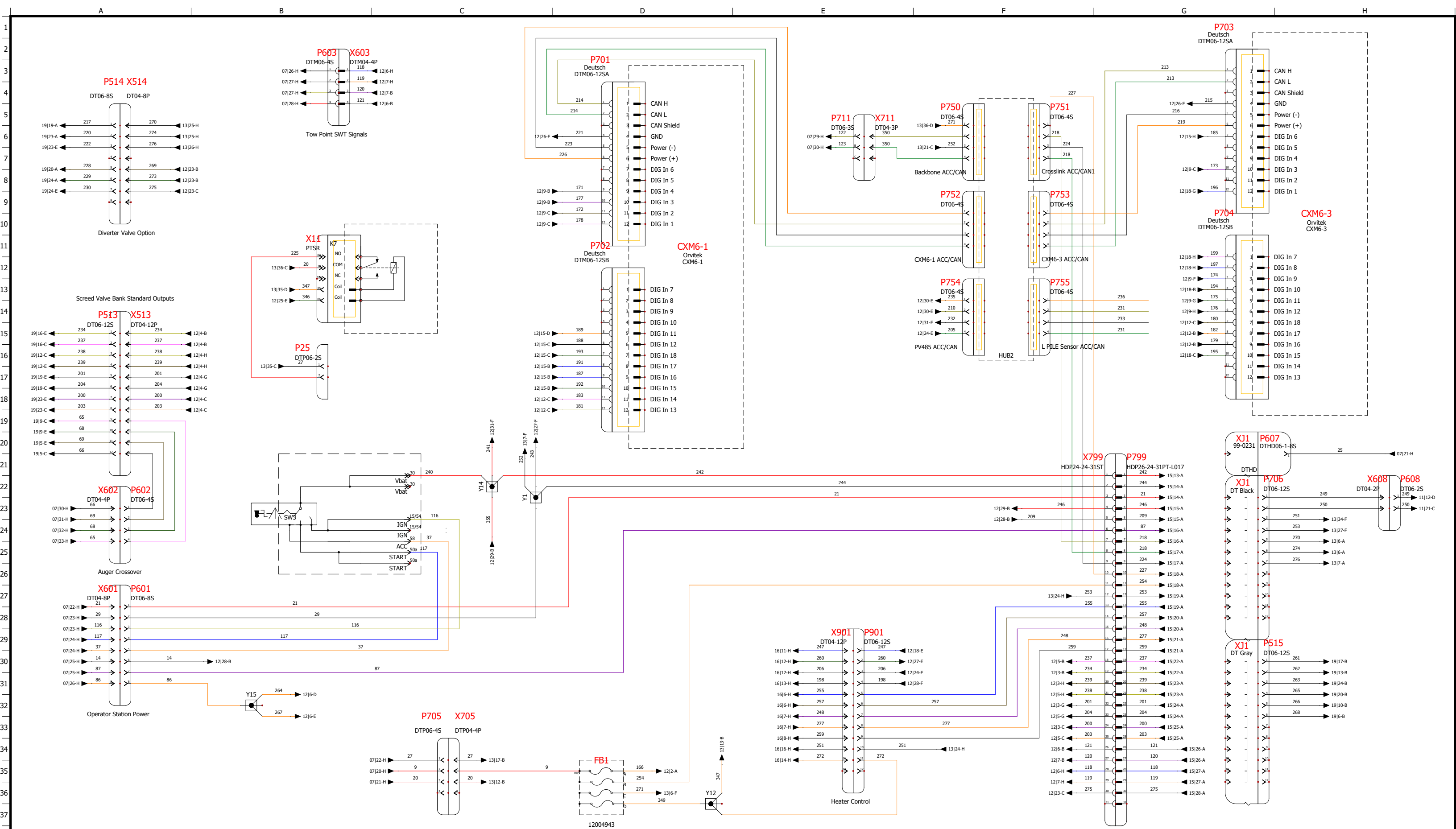
Left Operator Station Panel

CONTRACT: _____

LOCATION: P S SM OPL L Operator Station

REV.	DATE	NAME	CHANGES
0	9/29/2021	lgibson	User data 1
			User data 2

REVISION
 0
 SCHEME
 12



Calder Brothers Corporation
 450 E Warehouse Ct
 Taylors, SC 29687

Left Operator Station Base

CONTRACT: _____

LOCATION: P S SM OPL L Operator Station

REV.	DATE	NAME	CHANGES
0	9/29/2021	lgibson	
User data 1			User data 2

REVISION
 0
 SCHEME
 13

0

0

0

0

0

1
2
2
3
4
5
6
6
7
8
9
10
10
11
12



Calder Brothers Corporation
450 E Warehouse Ct
Taylors, SC 29687

Operator Station Remote Panels

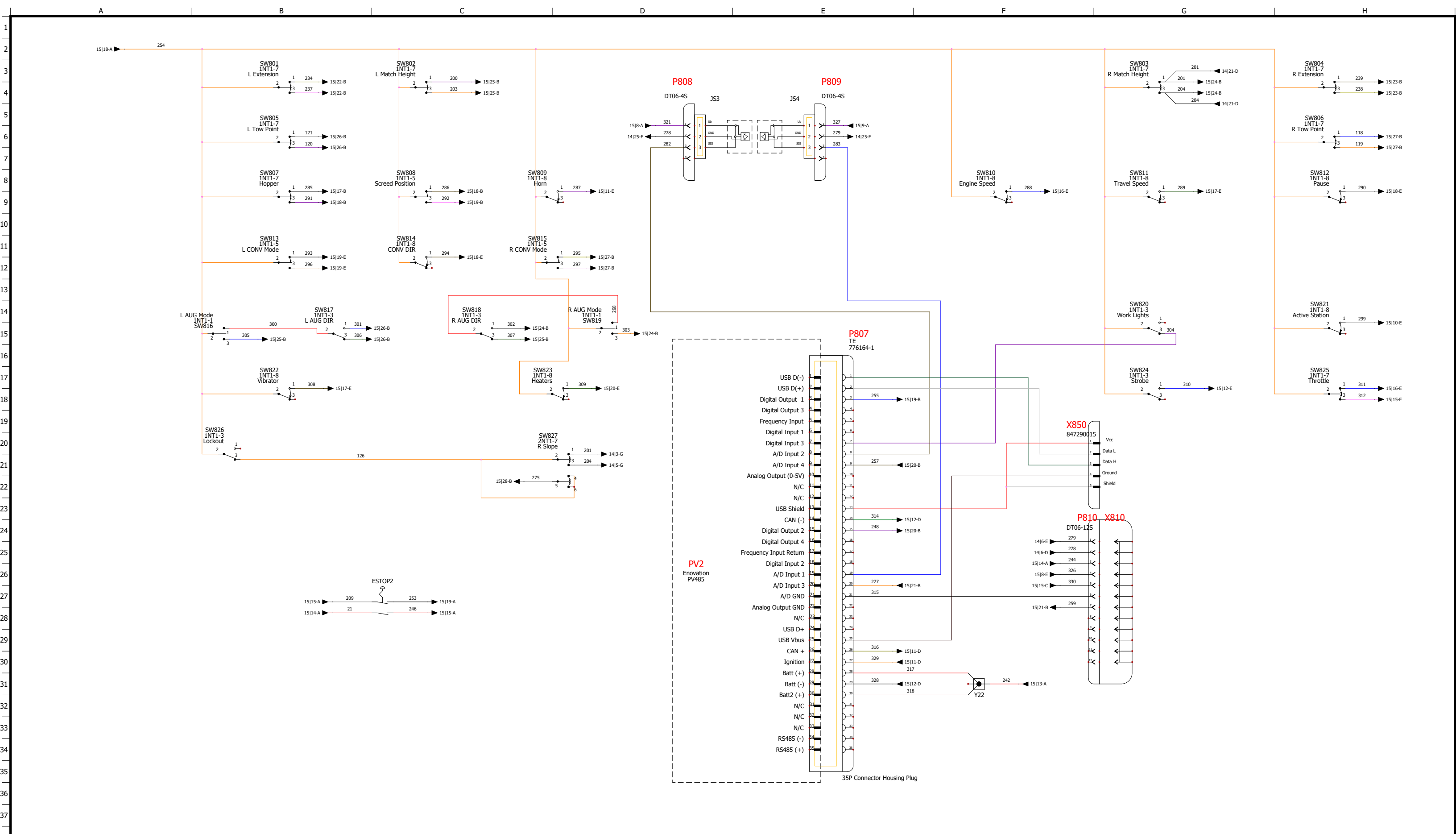
0	3/15/2022	Igibson		
REV.	DATE	NAME	CHANGES	
User data 1			User data 2	

REVISION
0
SCHEME
20

CONTRACT:

LOCATION: P

Paver



Calder Brothers Corporation
 450 E Warehouse Ct
 Taylors, SC 29687

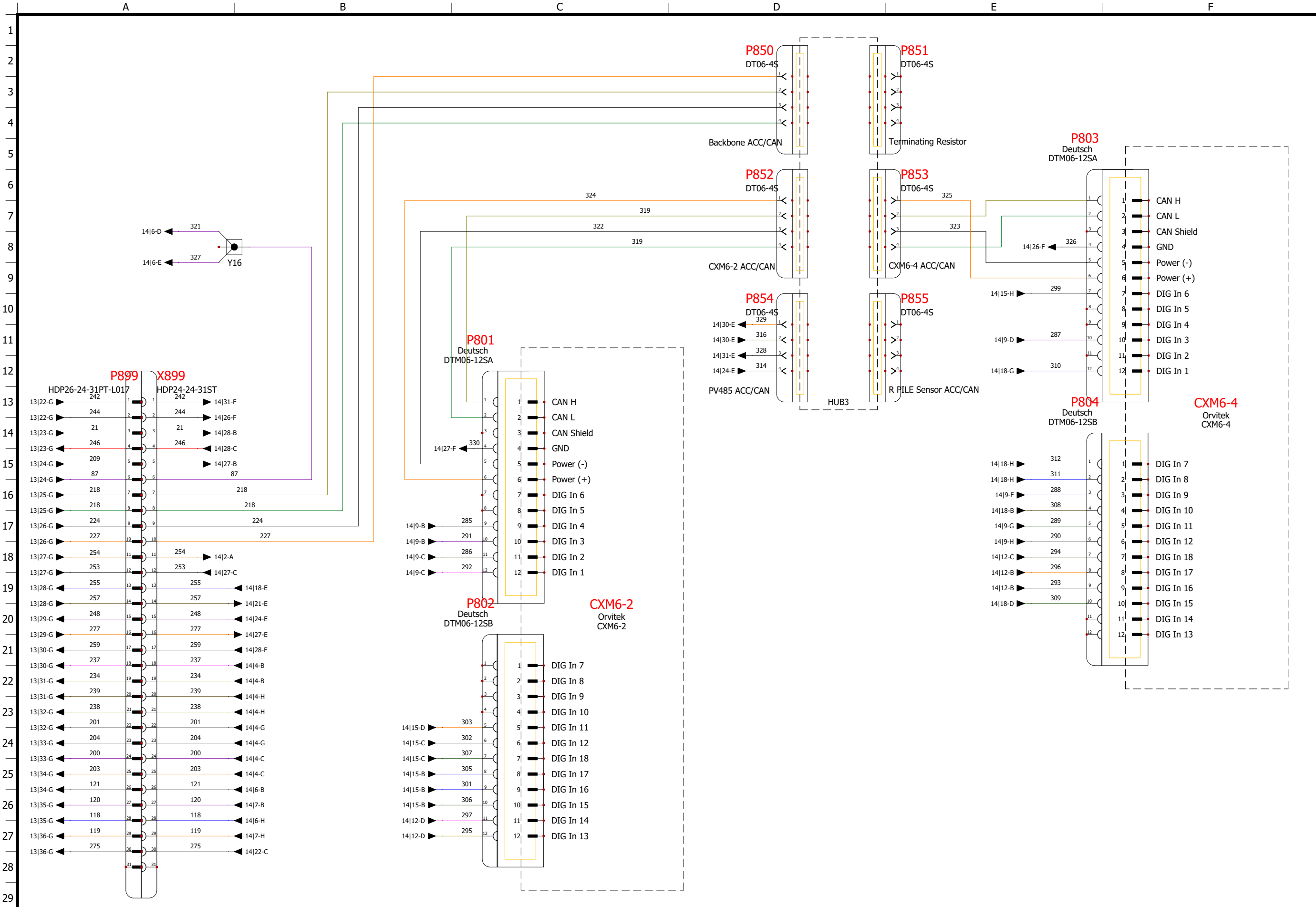
Right Operator Station Panel

CONTRACT:

LOCATION: P S SM OPR R Operator Station

REV.	DATE	NAME	CHANGES
0	1/29/2022	lgibson	
User data 1			User data 2

REVISION
 0
 SCHEME
 14



Calder Brothers Corporation
450 E Warehouse Ct
Taylors, SC 29687

Right Operator Station Base

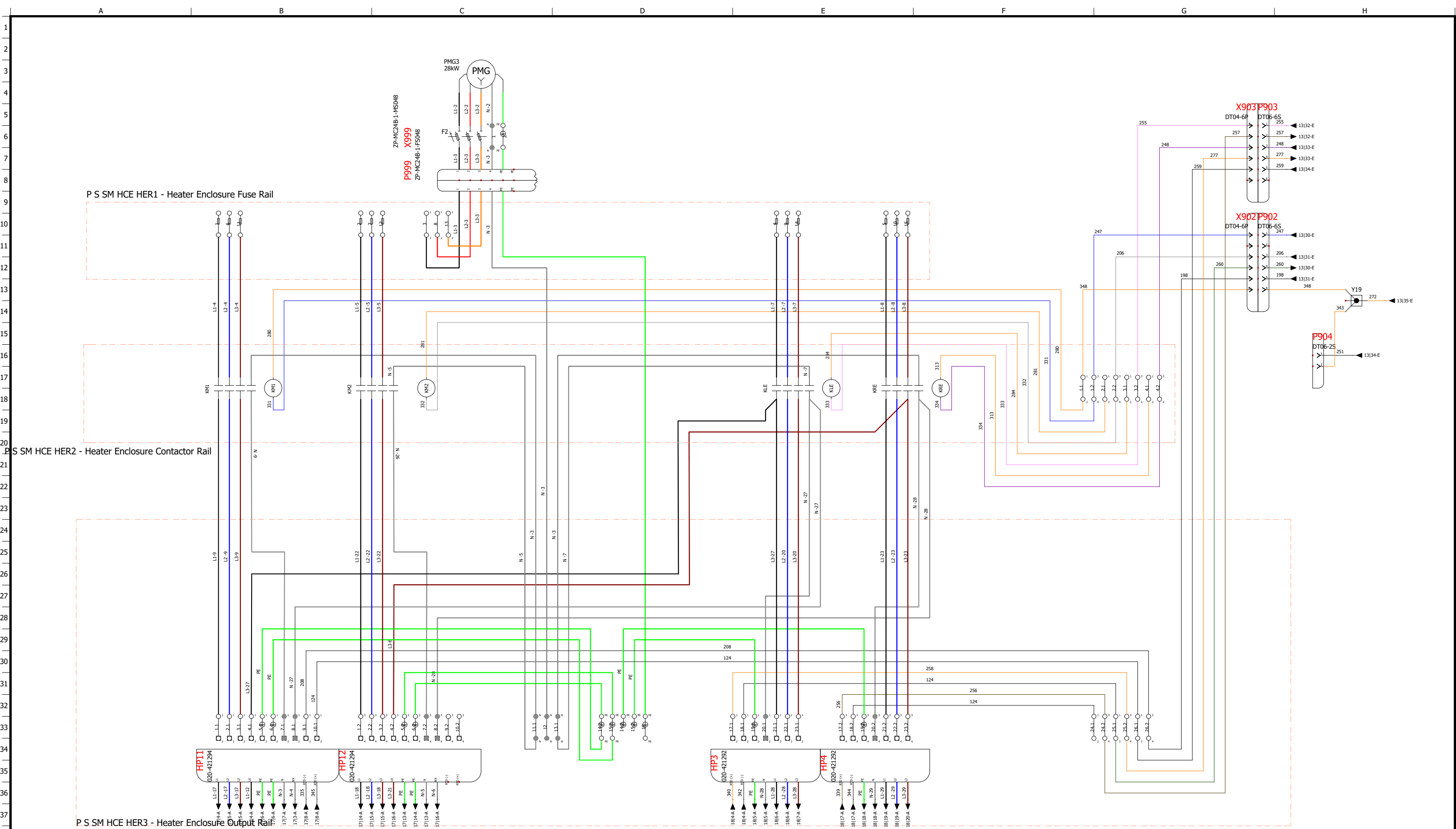
CONTRACT:

LOCATION: P S SM OPR

R Operator Station

REV.	DATE	NAME	CHANGES
0	1/29/2022	lgibson	
User data 1			User data 2

REVISION
0
SCHEME
15



Calder Brothers Corporation
 450 E Warehouse Ct
 Taylors, SC 29687

Four Zone Screed Control

CONTRACT:

LOCATION: P S

Screed

REV.	DATE	NAME	CHANGES
0	9/29/2021	lgibson	
User data 1			User data 2

REVISION
 0
 SCHEME
 16

A

B

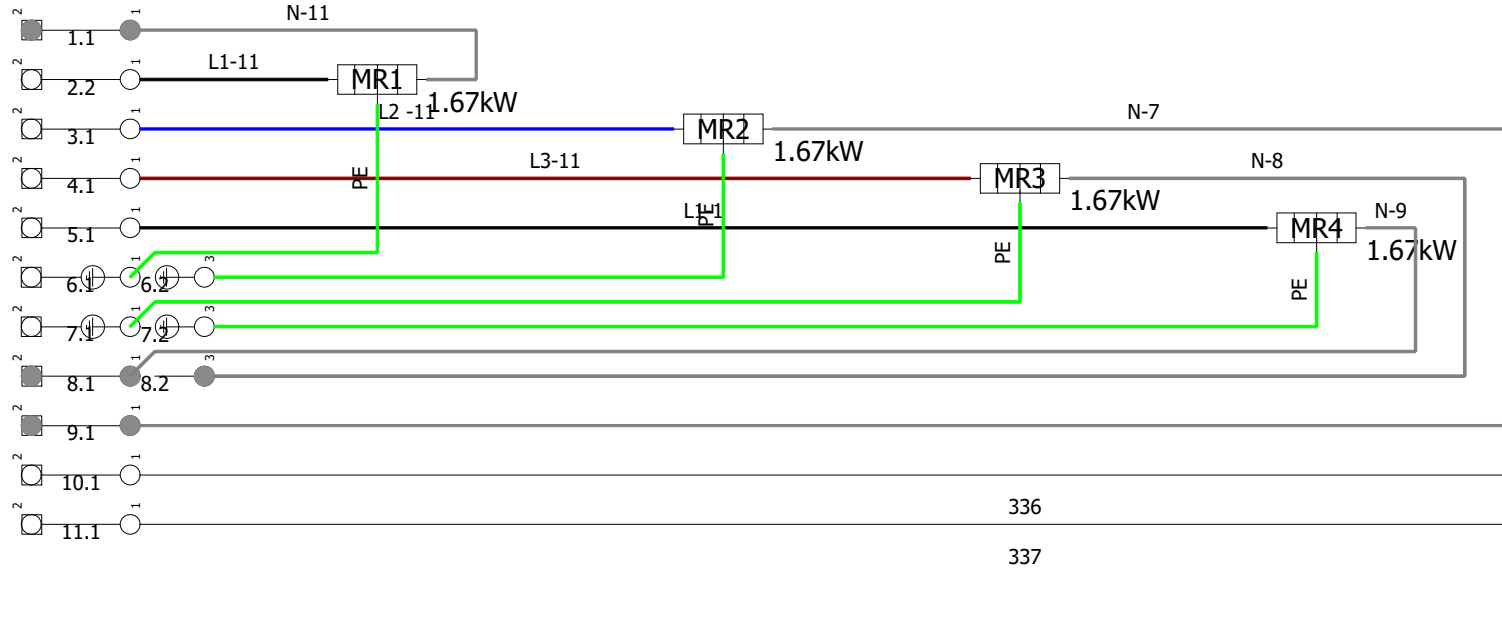
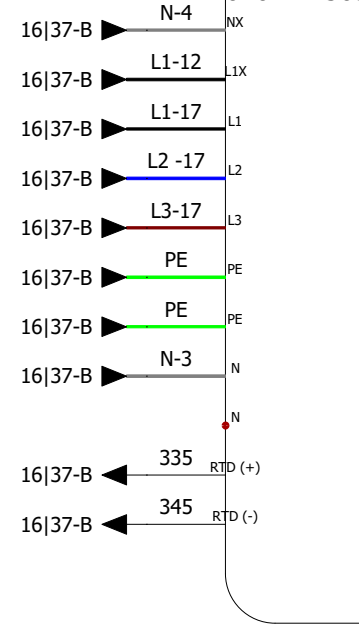
C

D

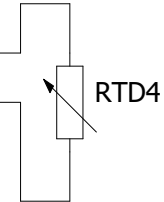
E

HP110

020-421303

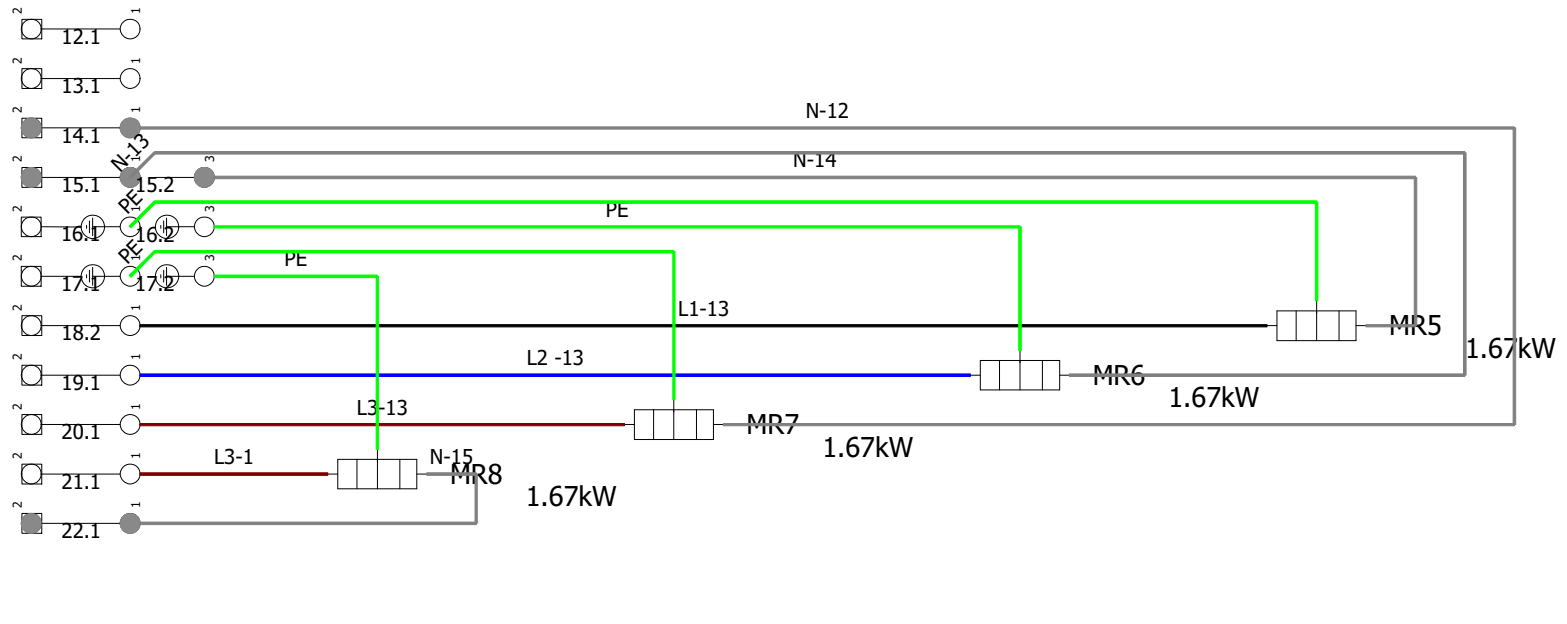
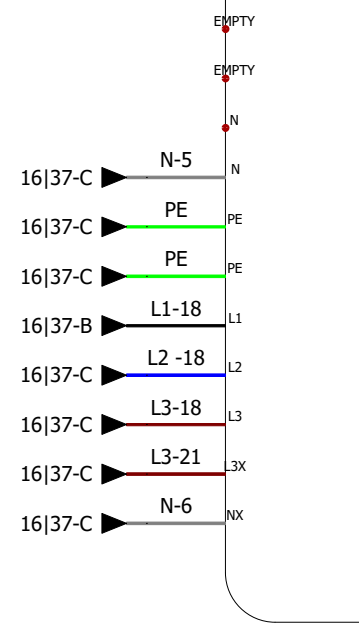


336
337



HP120

020-421299



Calder Brothers Corporation
450 E Warehouse Ct
Taylors, SC 29687

Screed Main

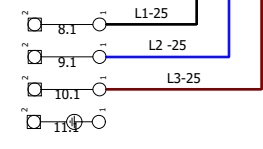
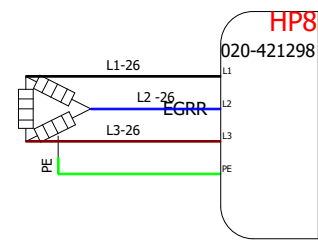
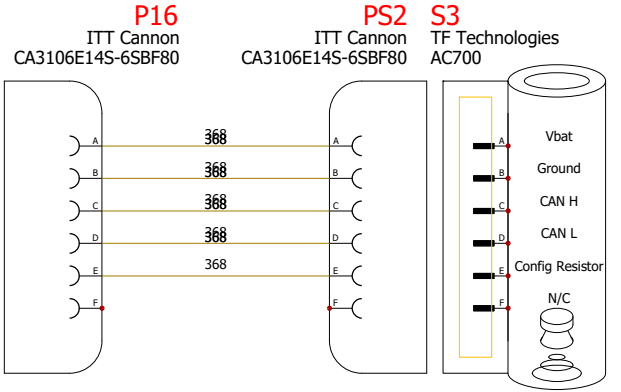
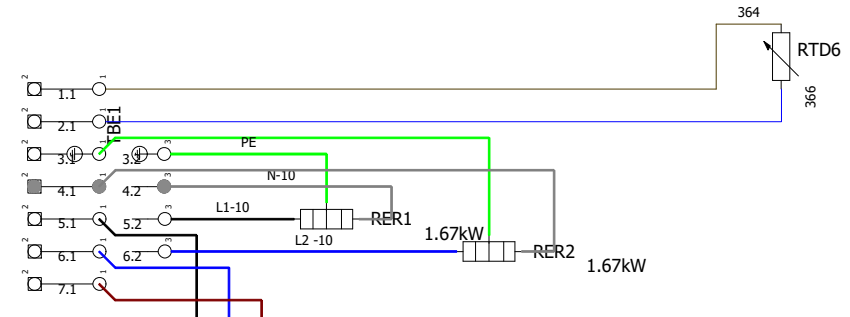
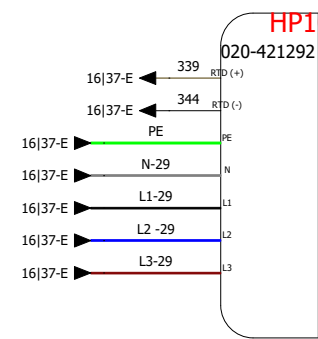
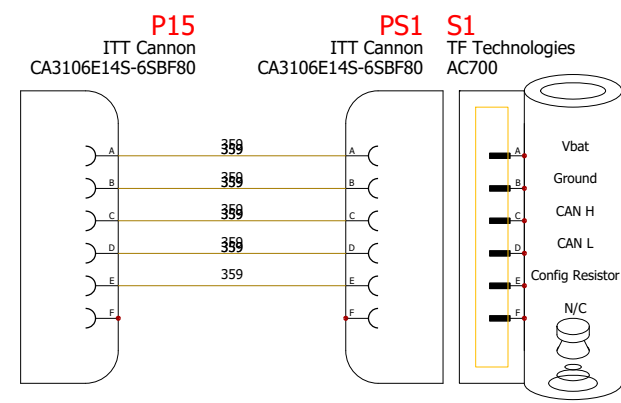
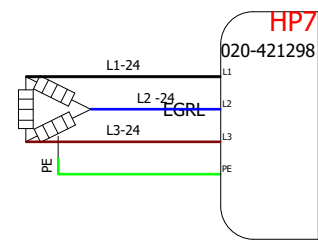
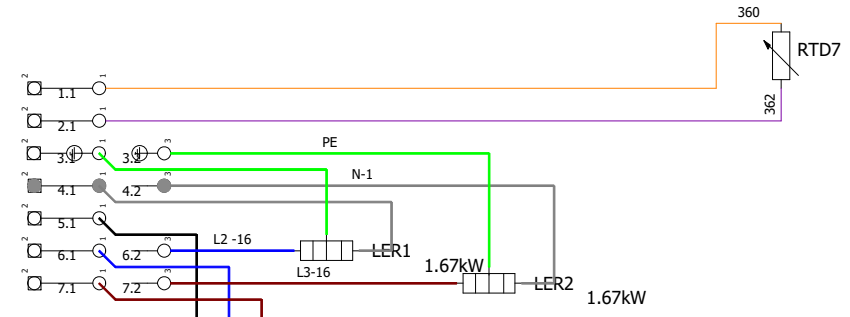
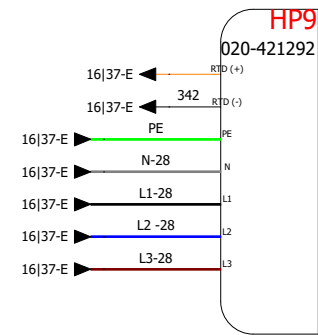
CONTRACT:

LOCATION: **P**

Paver

REV.	DATE	NAME	CHANGES
0	9/29/2021	Igibson	
User data 1			User data 2

REVISION
0
SCHEME
17



Calder Brothers Corporation
450 E Warehouse Ct
Taylors, SC 29687

Screed Extensions

CONTRACT:

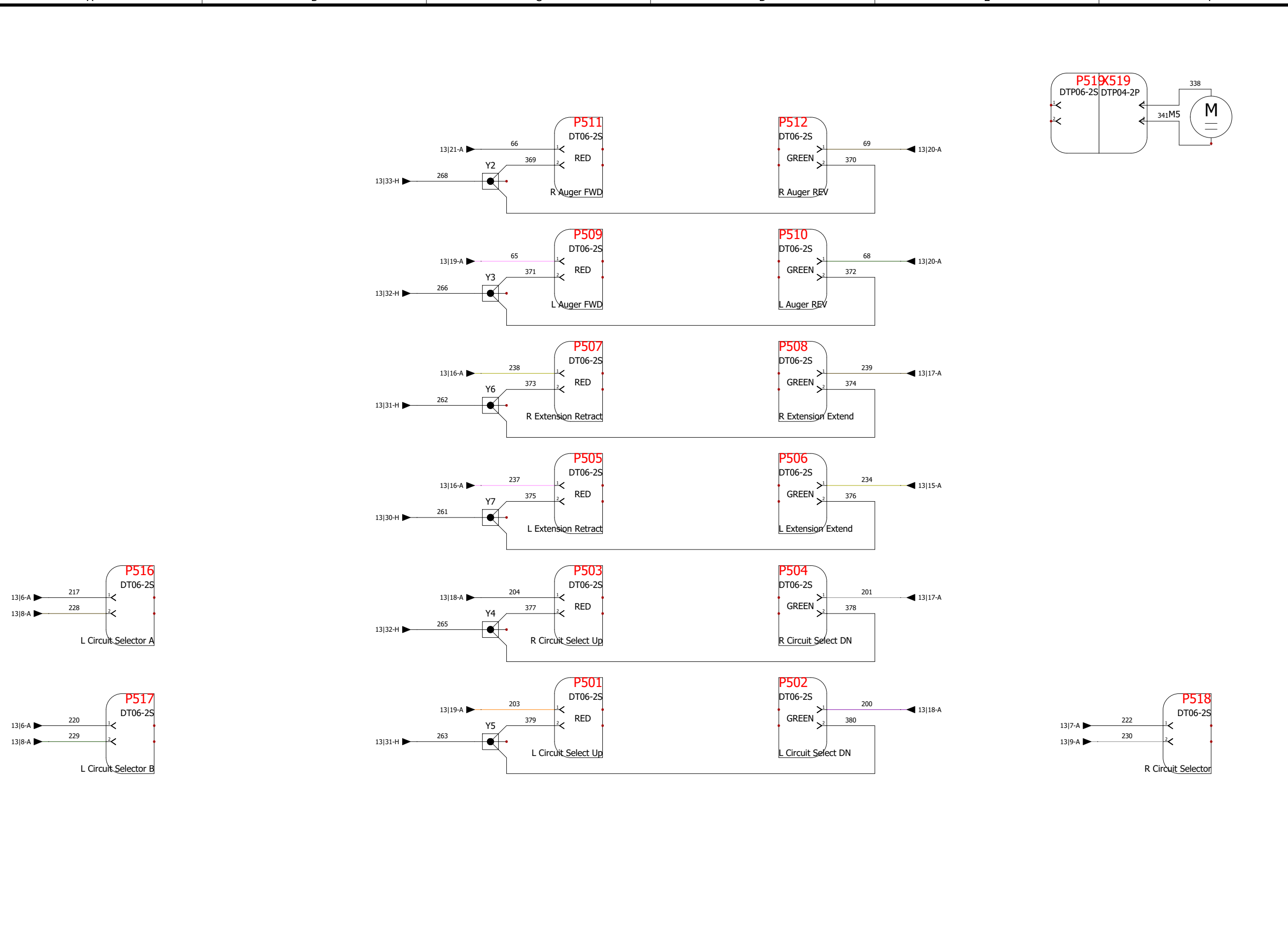
LOCATION: P


Paver

REV.	DATE	NAME	CHANGES
0	9/29/2021	lgibson	
User data 1			User data 2

REVISION
0
SCHEME
18

1
2
3
4
5
6
7
8
9
10
11
12
13
14
15
16
17
18
19
20
21
22
23
24
25
26
27
28
29



	Calder Brothers Corporation 450 E Warehouse Ct Taylors, SC 29687	Screed Valve Stack			REVISION 0										
		CONTRACT:	LOCATION: P S WS HS4	Screed Standard Valve Stack	<table border="1"> <tr> <td>0</td> <td>9/29/2021</td> <td>lgibson</td> <td></td> </tr> <tr> <th>REV.</th> <th>DATE</th> <th>NAME</th> <th>CHANGES</th> </tr> <tr> <td colspan="3">User data 1</td> <td>User data 2</td> </tr> </table>	0	9/29/2021	lgibson		REV.	DATE	NAME	CHANGES	User data 1	
0	9/29/2021	lgibson													
REV.	DATE	NAME	CHANGES												
User data 1			User data 2												
				SCHEME 19											

P160		Deutsch DTM06-12SA					
MMX J1		Wire Info					
Pin	Signal	Dest.	#	Color	AWG	Termination	
1	MMX Power (+)	X307:2	2	RD	16	DT 20 Socket Ni	
2	L Track REV PWM	P303:2	39	YE	16	DT 20 Socket Ni	
3	R Track REV PWM	P304:2	40	OG	16	DT 20 Socket Ni	
4	L Track FWD PWM	P301:2	41	PK	16	DT 20 Socket Ni	
5	R Track FWD PWM	P302:2	42	VT	16	DT 20 Socket Ni	
6	2 Speed PWM	Y601	44	BU	16	DT 20 Socket Ni	
7	Spliced GND	Y602	45	BK	16	DT 20 Socket Ni	
8	Spliced GND	P302:1	47	BK	16	DT 20 Socket Ni	
9	Spliced GND	P301:1	50	BK	16	DT 20 Socket Ni	
10	Spliced GND	P304:1	53	BK	16	DT 20 Socket Ni	
11	Spliced GND	P303:1	55	BK	16	DT 20 Socket Ni	
12	MMX Power (-)	X307:1	1	BK	16	DT 20 Socket Ni	

P302		Deutsch DT06-2S					
Left Track Pump REV Plug		Wire Info					
Pin	Signal	Dest.	#	Color	AWG	Termination	
1	Spliced GND	P160:8	47	BK	16		
2	R Track FWD PWM	P160:5	42	VT	16		

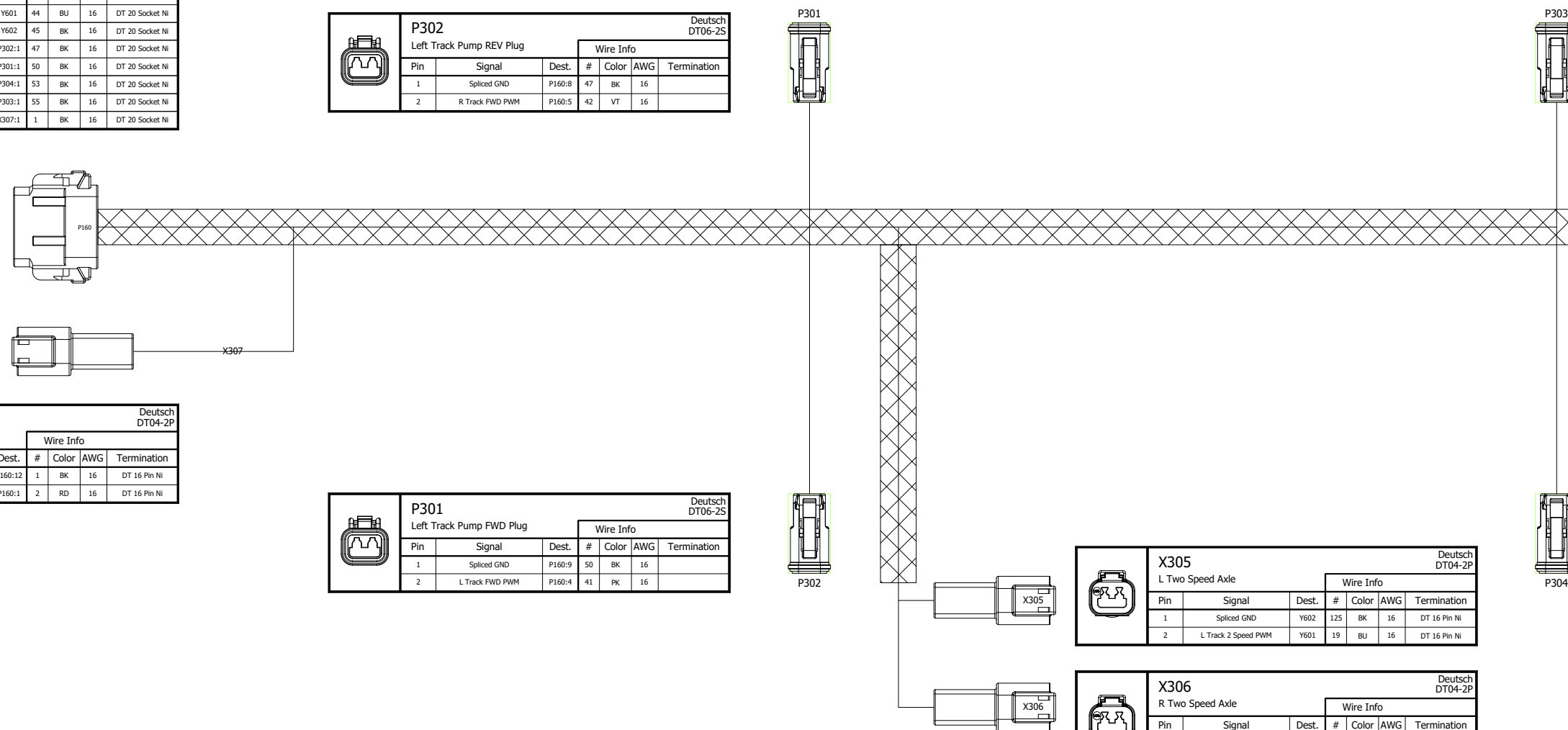
P303		Deutsch DT06-2S					
Right Track Pump REV Plug		Wire Info					
Pin	Signal	Dest.	#	Color	AWG	Termination	
1	Spliced GND	P160:11	55	BK	16		
2	L Track REV PWM	P160:2	39	YE	16		

X307		Deutsch DT04-2P					
Drivetrain Controller Power		Wire Info					
Pin	Signal	Dest.	#	Color	AWG	Termination	
1	MMX Power (-)	P160:12	1	BK	16	DT 16 Pin Ni	
2	MMX Power (+)	P160:1	2	RD	16	DT 16 Pin Ni	

P301		Deutsch DT06-2S					
Left Track Pump FWD Plug		Wire Info					
Pin	Signal	Dest.	#	Color	AWG	Termination	
1	Spliced GND	P160:9	50	BK	16		
2	L Track FWD PWM	P160:4	41	PK	16		

X305		Deutsch DT04-2P					
L Two Speed Axle		Wire Info					
Pin	Signal	Dest.	#	Color	AWG	Termination	
1	Spliced GND	Y602	125	BK	16	DT 16 Pin Ni	
2	L Track 2 Speed PWM	Y601	19	BU	16	DT 16 Pin Ni	

X306		Deutsch DT04-2P					
R Two Speed Axle		Wire Info					
Pin	Signal	Dest.	#	Color	AWG	Termination	
1	Spliced GND	Y602	127	BK	16	DT 16 Pin Ni	
2	R Track 2 Speed PWM	Y601	245	BU	16	DT 16 Pin Ni	



Calder Brothers Corporation
450 E Warehouse Ct
Taylors, SC 29687

Drivetrain Wiring Harness

REV.	DATE	NAME	CHANGES
0	9/29/2021	Igibson	
User data 1			User data 2

SCALE
1/2
REVISION
0
SCHEME
21

CONTRACT: LOCATION: P T WT HT4 Drivetrain Wiring Harness

Calder Brothers Corporation
 450 E Warehouse Ct
 Taylors, SC 29687

Engine Wiring Harness

REV.	DATE	NAME	CHANGES
0	9/29/2021	lgibson	
User data 1			User data 2

SCALE
1/2
 REVISION
0
 SCHEME
23

CONTRACT:

LOCATION: P1 T1 W1 HE1 Engine Wiring Harness

1
2
3
4
5
6
7
8
9
10
11
12
13
14
15
16
17
18
19
20
21
22
23
24
25
26
27
28
29

P141
Left PDM J4

Pin	Signal	Dest.	#	Color	AWG	Termination
1	L Tow Point Down PWM	P407-1	61	BU	16	DT 16 Socket NI
2	L Tow Point Up PWM	P409-1	63	GNBK	16	DT 16 Socket NI
3	L Auger FWD	X146-4	65	PK	16	DT 16 Socket NI
4	L Auger REV	X146-3	68	GN	16	DT 16 Socket NI
5	L Conveyor FWD PWM	P402-1	71	OG	16	DT 16 Socket NI
6	Screen Down PWM	P412-1	73	BN	16	DT 16 Socket NI
7						DT 16 Socket NI
8						DT 16 Socket NI
9						DT 16 Socket NI
10						DT 16 Socket NI
11						DT 16 Socket NI
12						DT 16 Socket NI

P143
Left PDM J3

Pin	Signal	Dest.	#	Color	AWG	Termination
1	L PDM Sensor GND	P1001-1	18	BK	16	DT 16 Socket NI
2	L Washdown SWT Signal	X121-4	108	GYBK	16	DT 16 Socket NI
3	Screened Up PWM	P411-1	46	GY	16	DT 16 Socket NI
4	L Conveyor REV PWM	P401-1	48	PK	16	DT 16 Socket NI
5	Hopper Open PWM	P406-1	51	BU	16	DT 16 Socket NI
6	Hopper Close PWM	P406-2	54	GN	16	DT 16 Socket NI
7						DT 16 Socket NI
8						DT 16 Socket NI
9						DT 16 Socket NI
10						DT 16 Socket NI
11						DT 16 Socket NI
12						DT 16 Socket NI

P1001
Ground Distribution A

Pin	Signal	Dest.	#	Color	AWG	Termination
1	L PDM Sensor GND	P143-1	18	BK	16	DT 16 Socket NI
2	Screened GNDs	Y406	10	BK	16	DT 16 Socket NI
3	R Tow Point GNDs	Y405	11	BK	16	DT 16 Socket NI
4	L Tow Point GNDs	Y404	12	BK	16	DT 16 Socket NI
5	Hopper GNDs	Y403	13	BK	16	DT 16 Socket NI
6	R Conveyor GNDs	Y402	15	BK	16	DT 16 Socket NI
7	L Conveyor GNDs	Y401	16	BK	16	DT 16 Socket NI
8	R PDM Addressing BR 0	P142-12	17	BK	16	DT 16 Socket NI
9	R PDM Sensor GND	P144-1	23	BK	16	DT 16 Socket NI
10	Washdown GND	X121-1	22	BK	16	DT 16 Socket NI
11	Washdown SWT GNDs	X121-3	24	WHBK	16	DT 16 Socket NI
12	Fuel Sender GND	X121-6	26	GY	16	DT 16 Socket NI

P142
Right PDM J4

Pin	Signal	Dest.	#	Color	AWG	Termination
1	R Tow Point PWM	P409-2	62	BLWH	16	DT 16 Socket NI
2	R Tow Point Up PWM	P410-1	64	WH	16	DT 16 Socket NI
3	R Auger FWD	X146-5	66	WH	16	DT 16 Socket NI
4	R Auger REV	X146-2	69	BN	16	DT 16 Socket NI
5	R Conveyor FWD PWM	P401-2	72	YE	16	DT 16 Socket NI
6						DT 16 Socket NI
7						DT 16 Socket NI
8						DT 16 Socket NI
9						DT 16 Socket NI
10						DT 16 Socket NI
11		X121-7	110	OG	16	DT 16 Socket NI
12	R PDM Addressing BR 0	P1001-8	17	BK	16	DT 16 Socket NI

P144
Right PDM J3

Pin	Signal	Dest.	#	Color	AWG	Termination
1	R PDM Sensor GND	P1001-9	23	BK	16	DT 16 Socket NI
2	R Washdown SWT Signal	X121-5	109	YBK	16	DT 16 Socket NI
3						DT 16 Socket NI
4	R Conveyor REV PWM	P403-1	49	VT	16	DT 16 Socket NI
5	Washdown PWMs	X121-2	52	BLWH	16	DT 16 Socket NI
6						DT 16 Socket NI
7						DT 16 Socket NI
8						DT 16 Socket NI
9						DT 16 Socket NI
10						DT 16 Socket NI
11						DT 16 Socket NI
12						DT 16 Socket NI

P411
Screened Up

Pin	Signal	Dest.	#	Color	AWG	Termination
1	Screened Up PWM	P413-2	46	GY	16	
2	Spliced Ground	Y406	10	BK	16	

P409
R Tow Point Down

Pin	Signal	Dest.	#	Color	AWG	Termination
1	R Tow Point PWM	P410-2	62	BLWH	16	
2	Spliced Ground	Y405	152	BK	16	

P407
L Tow Point Down

Pin	Signal	Dest.	#	Color	AWG	Termination
1	L Tow Point Down PWM	P141-1	61	BU	16	
2	Spliced Ground	Y404	154	BK	16	

P405
Hopper Open

Pin	Signal	Dest.	#	Color	AWG	Termination
1	Hopper Open PWM	P413-5	51	BU	16	
2	Spliced Ground	Y403	153	BK	16	

P403
R Conveyor REV

Pin	Signal	Dest.	#	Color	AWG	Termination
1	R Conveyor REV PWM	P144-1	49	VT	16	
2	Spliced Ground	Y402	155	BK	16	

P401
L Conveyor REV

Pin	Signal	Dest.	#	Color	AWG	Termination
1	L Conveyor REV PWM	P143-1	48	PK	16	
2	Spliced Ground	Y401	150	BK	16	

P412
Screened Down

Pin	Signal	Dest.	#	Color	AWG	Termination
1	Screened Down PWM	P413-1	71	BN	16	
2	Spliced Ground	Y406	151	BK	16	

P410
R Tow Point Up

Pin	Signal	Dest.	#	Color	AWG	Termination
1	R Tow Point Up PWM	P412-2	64	WH	16	
2	Spliced Ground	Y405	151	BK	16	

P408
L Tow Point Up

Pin	Signal	Dest.	#	Color	AWG	Termination
1	L Tow Point Up PWM	P142-2	63	GNBK	16	
2	Spliced Ground	Y404	152	BK	16	

P406
Hopper Close

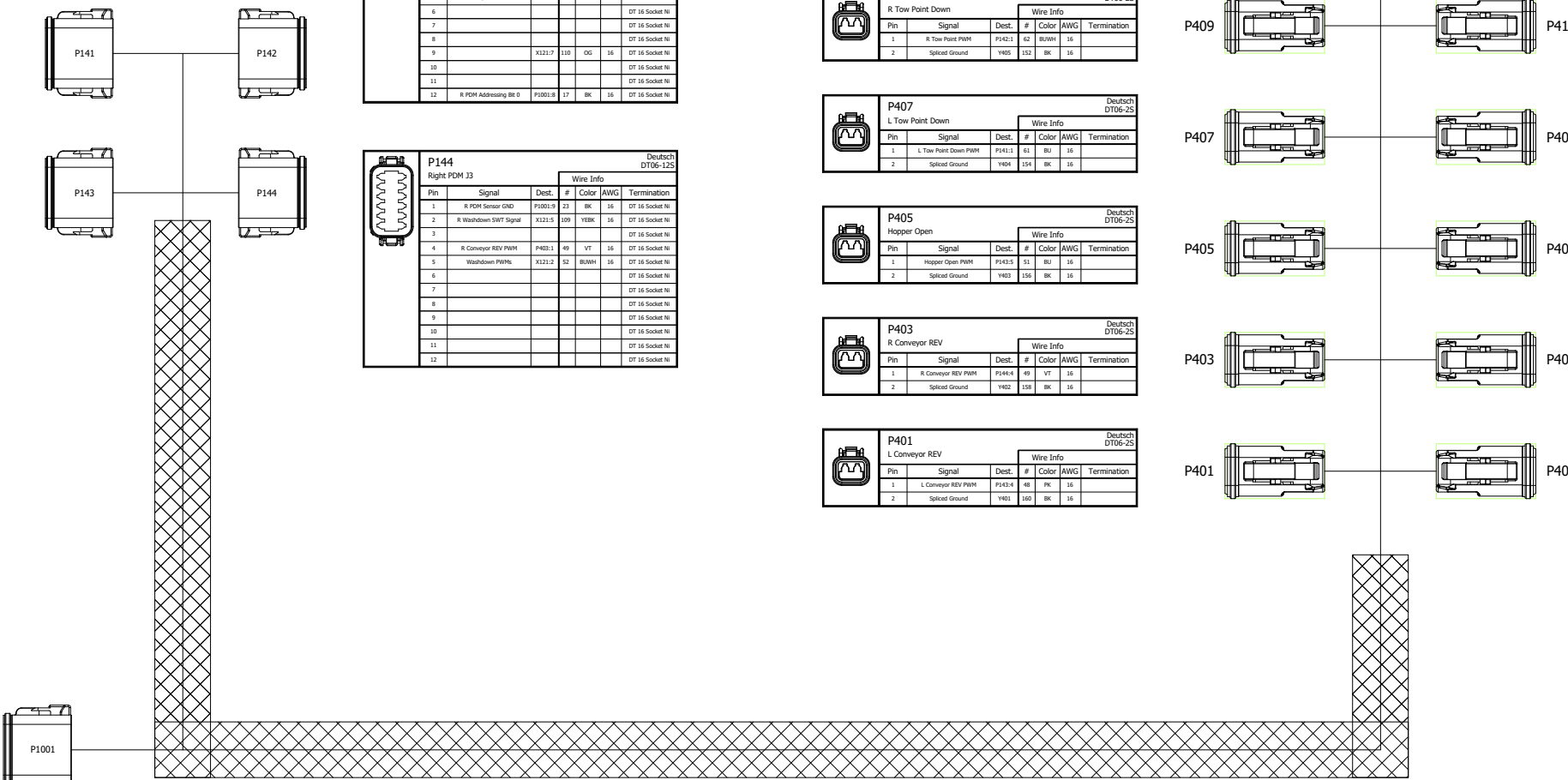
Pin	Signal	Dest.	#	Color	AWG	Termination
1	Hopper Close PWM	P413-6	54	GN	16	
2	Spliced Ground	Y403	157	BK	16	

P404
R Conveyor FWD

Pin	Signal	Dest.	#	Color	AWG	Termination
1	R Conveyor FWD PWM	P412-3	71	YE	16	
2	Spliced Ground	Y402	159	BK	16	

P402
L Conveyor FWD

Pin	Signal	Dest.	#	Color	AWG	Termination
1	L Conveyor FWD PWM	P141-2	71	OG	16	
2	Spliced Ground	Y401	151	BK	16	



Calder Brothers Corporation
450 E Warehouse Ct
Taylors, SC 29687

Hydraulic Valve Stack Harness

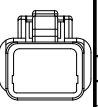
CONTRACT:

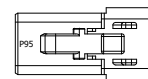
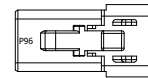
LOCATION: P T WT HT2

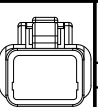
Hydraulic Valve Stack Harness

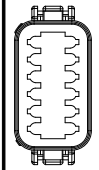
REV.	DATE	NAME	CHANGES
0	9/29/2021	lgibson	
			User data 1
			User data 2


REVISION
0
SCHEME
23

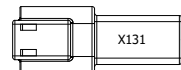
		P95 Left PDM J6					Deutsch DTP06-25	
		Wire Info						
Pin	Signal	Dest.	#	Color	AWG	Termination		
1	Work Light PWM	Y11	98	PK	16			
2	Strobe PWM	P207:3	101	BN	16			

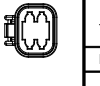


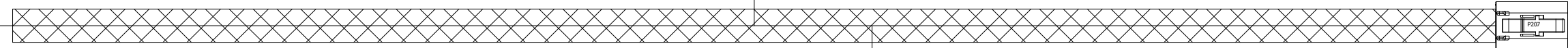
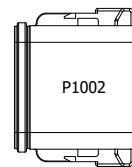
		P96 Right PDM J6					Deutsch DTP06-25	
		Wire Info						
Pin	Signal	Dest.	#	Color	AWG	Termination		
1	Horn PWM	FT2	99	GNWH	16			
2	Backup Alarm PWM	X131:2	102	OG	16			

		P1002 Ground Distribution B					Deutsch DT06-12S	
		Wire Info						
Pin	Signal	Dest.	#	Color	AWG	Termination		
1	Strobe GND	P207:1	30	BK	16	DT 16 Socket Ni		
2		P207:2	31	BK	16	DT 16 Socket Ni		
3	Horn GND	FT3	32	BK	16	DT 16 Socket Ni		
4						DT 16 Socket Ni		
5						DT 16 Socket Ni		
6						DT 16 Socket Ni		
7						DT 16 Socket Ni		
8						DT 16 Socket Ni		
9						DT 16 Socket Ni		
10						DT 16 Socket Ni		
11						DT 16 Socket Ni		
12						DT 16 Socket Ni		

		X131 Screed Lighting & Backup Crossover					Deutsch DT04-2P	
		Wire Info						
Pin	Signal	Dest.	#	Color	AWG	Termination		
1	Screed Worklights PWM	Y11	100	PK	16	DT 16 Pin Ni		
2	Backup Alarm PWM	P96:2	102	OG	16	DT 16 Pin Ni		



		P207 Tractor Lighting					Deutsch DT06-4S	
		Wire Info						
Pin	Signal	Dest.	#	Color	AWG	Termination		
1	Strobe GND	P1002:1	30	BK	16	DT 16 Socket Ni		
2		P1002:2	31	BK	16	DT 16 Socket Ni		
3	Strobe PWM	P95:2	101	BN	16	DT 16 Socket Ni		
4	Tractor Work Lights PWM	Y11	96	PK	16	DT 16 Socket Ni		



Calder Brothers Corporation
450 E Warehouse Ct
Taylors, SC 29687

Lighting and Signaling Harness

REV.	DATE	NAME	CHANGES
0	9/29/2021	lgibson	

SCALE
1/2
REVISION
0
SCHEME
24

CONTRACT: LOCATION: P T WT HT6 Tractor Lighting and Signaling Harness

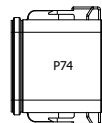
User data 1 User data 2

SOLIDWORKS Electrical

J22		Delphi	
Engine Coolant Level		12129615	
Pin	Signal	Dest.	Wire Info
#			# Color AWG Termination
A		J1-35	139 BN 18
B		J26-4	138 YE 18
C			



J26		TE	
DEF Supply Module		1-1703639-1	
Pin	Signal	Dest.	Wire Info
#			# Color AWG Termination
1			
2			
3	DEF INJ Pressure Sensor	J1-16	137 WH 18
4	Sensor Return Bus;	J1-32; J22-8; J38	YE 18; 18; 18
5		P59-8	103 BK 16
6		Y30	5 BK 16
7			
8	DSM Control Return	J1-57	144 GN 18
9	DSM Pump Signal	J1-79	147 BU 18
10	Sensor +SW Bus	J1-8	135 VT 18
11	DEF REV VLV Signal	J1-81	148 PK 18
12	DEF REV VLV Return	J1-54	143 BU 18



J28		Deutsch	
DEF Hose Pressure		DT06-25	
Pin	Signal	Dest.	Wire Info
#			# Color AWG Termination
1		P59-1	58 GN 18
2		P59-2	92 BN 18

J29		Deutsch	
DEF Hose Return		DT06-25	
Pin	Signal	Dest.	Wire Info
#			# Color AWG Termination
1		P59-3	93 BU 18
2		P59-4	94 BN 18

J30		Deutsch	
DEF Hose Suction		DT06-25	
Pin	Signal	Dest.	Wire Info
#			# Color AWG Termination
1		P59-5	95 OG 18
2		P59-6	97 BN 18

J78		Deutsch	
Water In Fuel		DT06-25	
Pin	Signal	Dest.	Wire Info
#			# Color AWG Termination
1		J1-13	136 PK 18
2		J1-62	145 BN 18

P73		Deutsch	
Aftertreatment Relay Box J2		DT06-125	
Pin	Signal	Dest.	Wire Info
#			# Color AWG Termination
1		J1-76	56 GY 18 DT 16 Socket Ni
2		J1-83	57 BN 18 DT 16 Socket Ni
3		J1-3	59 GY 18 DT 16 Socket Ni
4		J1-5	60 WH 18 DT 16 Socket Ni
5		J1-38	140 GN 18 DT 16 Socket Ni
6		J1-39	141 BU 18 DT 16 Socket Ni
7		J1-40	142 OG 18 DT 16 Socket Ni
8			
9		J1-7	67 BN 18 DT 16 Socket Ni
10		J1-84	70 BN 18 DT 16 Socket Ni
11		J1-85	149 BN 18 DT 16 Socket Ni
12			

P74		Deutsch	
Aftertreatment Relay Box J3		DT06-125	
Pin	Signal	Dest.	Wire Info
#			# Color AWG Termination
1		J1-1	74 RD 16 DT 16 Socket Ni
2		J1-25	75 RD 16 DT 16 Socket Ni
3		J1-26	76 RD 16 DT 16 Socket Ni
4		J1-27	77 RD 16 DT 16 Socket Ni
5		J1-28	78 RD 16 DT 16 Socket Ni
6		J1-49	79 BK 16 DT 16 Socket Ni
7		J1-50	82 BK 16 DT 16 Socket Ni
8		J1-51	83 BK 16 DT 16 Socket Ni
9		J1-52	84 BK 16 DT 16 Socket Ni
10		J1-73	85 BK 16 DT 16 Socket Ni
11			
12			

Calder Brothers Corporation
450 E Warehouse Ct
Taylors, SC 29687

Aftertreatment Control Harness

CONTRACT:

LOCATION: P T EB AFT1

Aftertreatment Control Harness

REV.	DATE	NAME	CHANGES
0	10/7/2021	lgibson	
User data 1		User data 2	

SCALE
1/2
REVISION
0
SCHEME
25

A

B

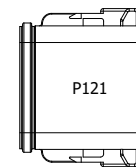
C

D

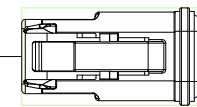
E

1
2
3
4
5
6
7
8
9
10
11
12
13
14
15
16
17
18

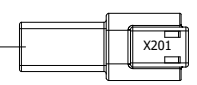
X203							Deutsch DT04-4P
L Washdown							Wire Info
Pin	Signal	Dest.	#	Color	AWG	Termination	
1	Spliced GND	Y13	105	WHBK	16	DT 16 Pin Ni	
2	L Washdown SWT Light PWM	Y121	106	BUWH	16	DT 16 Pin Ni	
3	L Washdown SWT	P121:4	108	GYBK	16	DT 16 Pin Ni	
4	Spliced GND	Y13	351	WHBK	16	DT 16 Pin Ni	



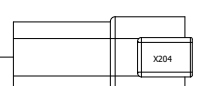
P121							Deutsch DT06-12S
Washdown Crossover							Wire Info
Pin	Signal	Dest.	#	Color	AWG	Termination	
1	Washdown GND	X201:2	22	BK	16	DT 16 Socket Ni	
2	Washdown PWM	Y121	52	BUWH	16	DT 16 Socket Ni	
3	Washdown SWT GNDs	Y122	24	WHBK	16	DT 16 Socket Ni	
4	L Washdown SWT	X203:3	108	GYBK	16	DT 16 Socket Ni	
5	R Washdown SWT Signal	X204:3	109	YEBK	16	DT 16 Socket Ni	
6	Fuel Sender GND	P202:1	26	GY	16	DT 16 Socket Ni	
7	Fuel Sender	P202:2	110	OG	16	DT 16 Socket Ni	
8						DT 16 Socket Ni	
9						DT 16 Socket Ni	
10						DT 16 Socket Ni	
11						DT 16 Socket Ni	
12						DT 16 Socket Ni	



P202							Deutsch DT06-2S
Fuel Sender							Wire Info
Pin	Signal	Dest.	#	Color	AWG	Termination	
1	Fuel Sender GND	P121:6	26	GY	16		
2	Fuel Sender	P121:7	110	OG	16		



X201							Deutsch DT04-2P
Washdown Pump							Wire Info
Pin	Signal	Dest.	#	Color	AWG	Termination	
1	Washdown PWM	Y121	104	BUWH	16	DT 16 Pin Ni	
2	Washdown GND	P121:1	22	BK	16	DT 16 Pin Ni	



X204							Deutsch DT04-4P
R Washdown							Wire Info
Pin	Signal	Dest.	#	Color	AWG	Termination	
1	Spliced GND	Y18	353	WHBK	16	DT 16 Pin Ni	
2	R Washdown SWT Light PWM	Y121	107	BUWH	16	DT 16 Pin Ni	
3	R Washdown SWT Signal	P121:5	109	YEBK	16	DT 16 Pin Ni	
4		Y18	354	WHBK	16	DT 16 Pin Ni	



Calder Brothers Corporation
450 E Warehouse Ct
Taylors, SC 29687

Washdown and Fuel Harness

CONTRACT:

LOCATION: P T WT HT5

Washdown and Fuel Harness

REV.	DATE	NAME	CHANGES
0	1/27/2022	lgibson	
User data 1			User data 2

REVISION
0
SCHEME
31

A

B

C

D

E

1
2
3
4
5
6
7
8
9
10
11
12
13
14
15
16
17
18

P146 Augers Crossover							Deutsch DT06-8S		
Pin	Signal	Dest.	#	Color	AWG	Termination	Wire Info		
1	R Auger FWD	X600:21	66	WH	16	DT 16 Socket NI			
2	R Auger REV	X600:22	69	BN	16	DT 16 Socket NI			
3	L Auger REV	X600:25	68	GN	16	DT 16 Socket NI			
4	L Auger FWD	X600:26	65	PK	16	DT 16 Socket NI			
5						DT 16 Socket NI			
6						DT 16 Socket NI			
7						DT 16 Socket NI			
8						DT 16 Socket NI			

X1 Aftertreatment Power Crossover							Deutsch DT04-6P		
Pin	Signal	Dest.	#	Color	AWG	Termination	Wire Info		
1	Dedicated Controller Ground	X600:6	29	BK	16	DT 16 Pin NI			
2	Control Umbilical Controller +12V	X600:5	21	RD	16	DT 16 Pin NI			
3	Keyswitch Accessory	X600:9	37	OG	16	DT 16 Pin NI			
4	E-STOP Ground Interrupt	X600:10	14	GYBK	16	DT 16 Pin NI			
5						DT 16 Pin NI			
6						DT 16 Pin NI			

P131 Scedd Lighting & Backup Crossover							Deutsch DT06-2S		
Pin	Signal	Dest.	#	Color	AWG	Termination	Wire Info		
1	Scedd Worklights PWM	X600:17	100	PK	16				
2	Backup Alarm PWM	X600:19	102	OG	16				

P87 Left PDM CAN							Deutsch DT06-3S		
Pin	Signal	Dest.	#	Color	AWG	Termination	Wire Info		
A	L PDM CAN HI	P90:12	90	YE	20				
C									

P90 Left PDM J5							Deutsch DT06-12S		
Pin	Signal	Dest.	#	Color	AWG	Termination	Wire Info		
1	L PDM CAN LO	P87:8	80	GN	20	DT 16 Socket NI			
2	L Tow Point Up SWT Signal	X600:15	120	YEBK	16	DT 16 Socket NI			
3	L Tow Point Down SWT Signal	X600:16	121	RDBK	16	DT 16 Socket NI			
4						DT 16 Socket NI			
5						DT 16 Socket NI			
6						DT 16 Socket NI			
7	L PDM +5V REF	X600:12	86	OGRD	16	DT 16 Socket NI			
8						DT 16 Socket NI			
9						DT 16 Socket NI			
10						DT 16 Socket NI			
11						DT 16 Socket NI			
12	L PDM CAN HI	P87:A	90	YE	20	DT 16 Socket NI			

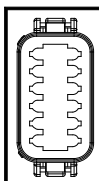
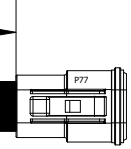
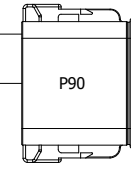
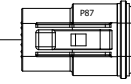
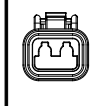
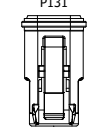
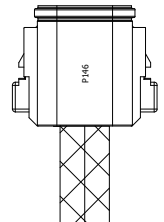
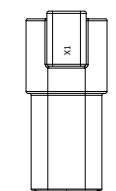
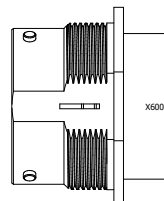
P77 Control Umbilical CAN 1							Deutsch DT06-3S		
Pin	Signal	Dest.	#	Color	AWG	Termination	Wire Info		
A	Tractor CAN H	X600:18	122	YE	20				
C									

P91 Control Umbilical Starter Switch Signals							Deutsch DT06-2S		
Pin	Signal	Dest.	#	Color	AWG	Termination	Wire Info		
1	Keyswitch Ignition	X600:7	116	YE	16				
2	Keyswitch Start	X600:8	117	BU	16				

X600 Umbilical Control													Deutsch HD34-24-29SE			
Pin	Signal	Dest.	#	Color	AWG	Termination	Pin	Signal	Dest.	#	Color	AWG	Termination	Wire Info		
1	High Current ACC	P3:3	9	RD	12	DT 12 Socket NI	19	Backup Alarm PWM	P131:2	102	OG	16	DT 16 Socket NI			
2	Vibrator Supply	P3:4	25	RD	12	DT 12 Socket NI	20	Tractor CAN L	P77:B	123	GN	20	DT 20 Socket NI			
3	Control Umbilical High Current GND	P3:1	20	BK	12	DT 12 Socket NI	21	R Auger FWD	P146:1	66	WH	16	DT 16 Socket NI			
4	Scedd Vibrator GND	P3:2	27	BK	12	DT 12 Socket NI	22	R Auger REV	P146:2	69	BN	16	DT 16 Socket NI			
5	Control Umbilical Controller +12V	X1:2	21	RD	16	DT 16 Socket NI	23						DT 20 Socket NI			
6	Dedicated Controller Ground	X1:1	29	BK	16	DT 16 Socket NI	24						DT 20 Socket NI			
7	Keyswitch Ignition	P91:1	116	YE	16	DT 16 Socket NI	25	L Auger REV	P146:3	68	GN	16	DT 16 Socket NI			
8	Keyswitch Start	P91:2	117	BU	16	DT 16 Socket NI	26	L Auger FWD	P146:4	65	PK	16	DT 16 Socket NI			
9	Keyswitch Accessory	X1:3	37	OG	16	DT 16 Socket NI	27						DT 20 Socket NI			
10	E-STOP Ground Interrupt	X1:4	14	GYBK	16	DT 16 Socket NI	28						DT 16 Socket NI			
11	R PDM +5V REF	P93:7	87	VTRD	16	DT 16 Socket NI	29						DT 20 Socket NI			
12	L PDM +5V REF	P90:7	86	OGRD	16	DT 16 Socket NI										
13	R Tow Point Down SWT Signal	P93:3	118	WHBK	16	DT 16 Socket NI										
14	R Tow Point Up SWT Signal	P93:2	119	GYBK	16	DT 16 Socket NI										
15	L Tow Point Up SWT Signal	P90:2	120	YEBK	16	DT 16 Socket NI										
16	L Tow Point Down SWT Signal	P90:3	121	RDBK	16	DT 16 Socket NI										
17	Scedd Worklights PWM	P131:1	100	PK	16	DT 16 Socket NI										
18	Tractor CAN H	P77:A	122	YE	20	DT 20 Socket NI										

P93 Right PDM J5							Deutsch DT06-12S		
Pin	Signal	Dest.	#	Color	AWG	Termination	Wire Info		
1	R PDM CAN LO	P79:8	81	GN	20	DT 16 Socket NI			
2	R Tow Point Up SWT Signal	X600:14	119	GYBK	16	DT 16 Socket NI			
3	R Tow Point Down SWT Signal	X600:13	118	WHBK	16	DT 16 Socket NI			
4						DT 16 Socket NI			
5						DT 16 Socket NI			
6						DT 16 Socket NI			
7	R PDM +5V REF	X600:11	87	VTRD	16	DT 16 Socket NI			
8						DT 16 Socket NI			
9						DT 16 Socket NI			
10						DT 16 Socket NI			
11						DT 16 Socket NI			
12	R PDM CAN HI	P79:A	91	YE	20	DT 16 Socket NI			

P79 Right PDM CAN							Deutsch DT06-3S		
Pin	Signal	Dest.	#	Color	AWG	Termination	Wire Info		
A	R PDM CAN HI	P93:12	91	YE	20				
C									



TBD

TBD

TBD

TBD

TBD

TBD



Calder Brothers Corporation
450 E Warehouse Ct
Taylors, SC 29687

Tractor Control Umbilical

CONTRACT:

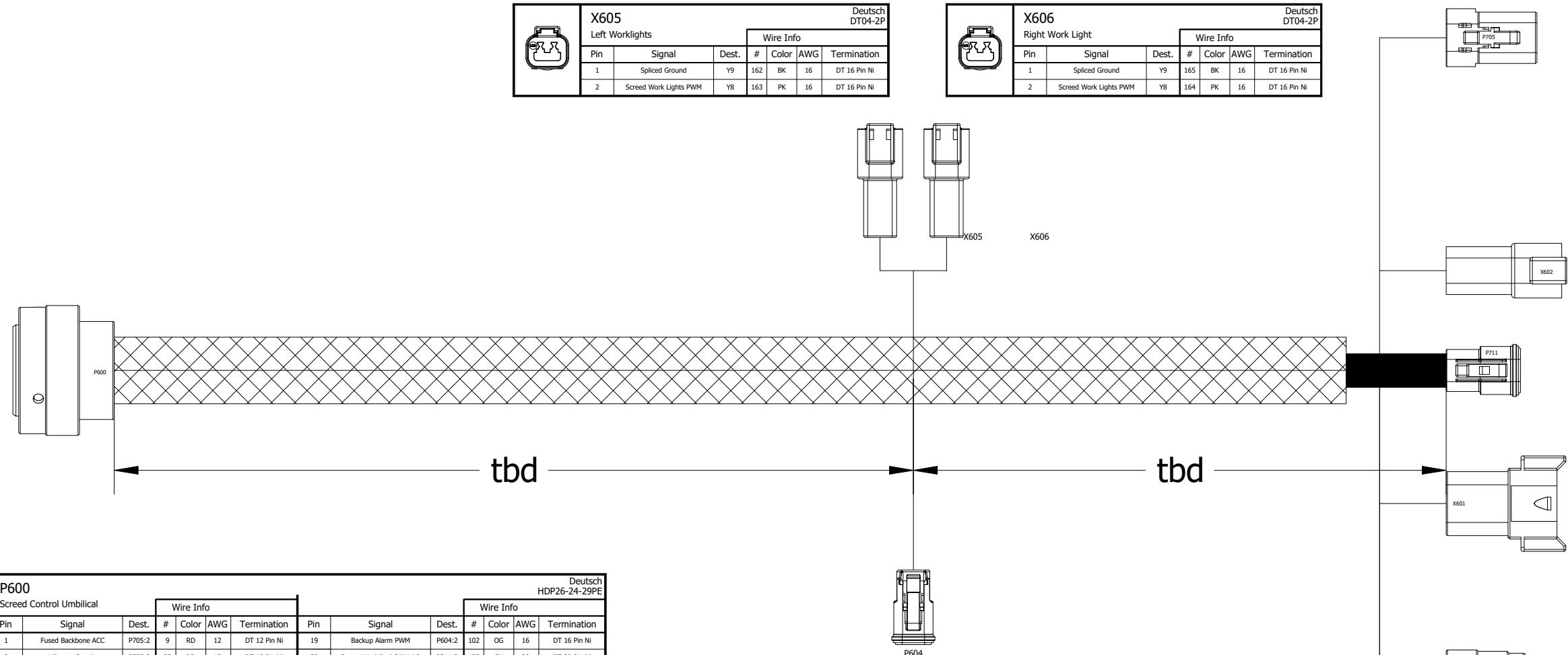
LOCATION: P T WT HT3

Tractor Control Umbilical

REV.	DATE	NAME	CHANGES
0	1/27/2022	Igibson	
User data 1			User data 2

REVISION
0
SCHEME
32

NOTE LENGTHS NOT TO SCALE



X605		Deutsch DT04-2P				
Left Worklights		Wire Info				
Pin	Signal	Dest.	#	Color	AWG	Termination
1	Spliced Ground	Y9	162	BK	16	DT 16 Pin Ni
2	Screed Work Lights PWM	Y8	163	PK	16	DT 16 Pin Ni

X606		Deutsch DT04-2P				
Right Work Light		Wire Info				
Pin	Signal	Dest.	#	Color	AWG	Termination
1	Spliced Ground	Y9	165	BK	16	DT 16 Pin Ni
2	Screed Work Lights PWM	Y8	164	PK	16	DT 16 Pin Ni

X705		Deutsch DTP04-4P				
Screed Power		Wire Info				
Pin	Signal	Dest.	#	Color	AWG	Termination
1	Screed Vibrator GND	P25:1	27	BK	12	
2	Fused Backbone ACC	FB1:BUS	9	RD	12	
3	Vibrator Supply	X11:30	20	RD	12	
4						

X602		Deutsch DT04-4P				
Auger Crossover		Wire Info				
Pin	Signal	Dest.	#	Color	AWG	Termination
1	R Auger FWD PWM	P600:21	66	WH	16	DT 16 Pin Ni
2	R Auger REV PWM	P600:22	69	BN	16	DT 16 Pin Ni
3	L Auger REV PWM	P600:25	68	GN	16	DT 16 Pin Ni
4	L Auger FWD PWM	P600:26	65	PK	16	DT 16 Pin Ni

P711		Deutsch DT06-3S				
Tractor Can Crossover		Wire Info				
Pin	Signal	Dest.	#	Color	AWG	Termination
A	Umbilical CAN1 HI	P600:18	122	YE	20	
B	Control Umbilical CAN1 LO	P600:20	123	GN	20	
C						

X601		Deutsch DT04-8P				
Operator Station Power		Wire Info				
Pin	Signal	Dest.	#	Color	AWG	Termination
1	Control Umbilical Controller +12V	P600:5	21	RD	16	DT 16 Pin Ni
2	Dedicated Controller Ground	P600:6	29	BK	16	DT 16 Pin Ni
3	Keyswitch Ignition	P600:7	116	YE	16	DT 16 Pin Ni
4	Keyswitch Start	P600:8	117	BU	16	DT 16 Pin Ni
5	Keyswitch Accessory	P600:9	37	OG	16	DT 16 Pin Ni
6	E-STOP Ground Interrupt	P600:10	14	GYBK	16	DT 16 Pin Ni
7	R PDM +5V REF	P600:11	87	VTRD	16	DT 16 Pin Ni
8	L PDM +5V REF	P600:12	86	OGRD	16	DT 16 Pin Ni

P600		Deutsch HDP26-24-29PE											
Screed Control Umbilical		Wire Info					Wire Info						
Pin	Signal	Dest.	#	Color	AWG	Termination	Pin	Signal	Dest.	#	Color	AWG	Termination
1	Fused Backbone ACC	P705:2	9	RD	12	DT 12 Pin Ni	19	Backup Alarm PWM	P604:2	102	OG	16	DT 16 Pin Ni
2	Vibrator Supply	P705:3	25	RD	12	DT 12 Pin Ni	20	Control Umbilical CAN1 LO	P711:8	123	GN	20	DT 20 Pin Ni
3	Control Umbilical High Current GND	P607:1	20	BK	12	DT 12 Pin Ni	21	R Auger FWD PWM	X602:1	66	WH	16	DT 16 Pin Ni
4	Screed Vibrator GND	P705:1	27	BK	12	DT 12 Pin Ni	22	R Auger REV PWM	X602:2	69	BN	16	DT 16 Pin Ni
5	Control Umbilical Controller +12V	X601:1	21	RD	16	DT 16 Pin Ni	23					DT 20 Pin Ni	
6	Dedicated Controller Ground	X601:2	29	BK	16	DT 16 Pin Ni	24					DT 20 Pin Ni	
7	Keyswitch Ignition	X601:3	116	YE	16	DT 16 Pin Ni	25	L Auger REV PWM	X602:3	68	GN	16	DT 16 Pin Ni
8	Keyswitch Start	X601:4	117	BU	16	DT 16 Pin Ni	26	L Auger FWD PWM	X602:4	65	PK	16	DT 16 Pin Ni
9	Keyswitch Accessory	X601:5	37	OG	16	DT 16 Pin Ni	27					DT 20 Pin Ni	
10	E-STOP Ground Interrupt	X601:6	14	GYBK	16	DT 16 Pin Ni	28					DT 16 Pin Ni	
11	R PDM +5V REF	X601:7	87	VTRD	16	DT 16 Pin Ni	29					DT 20 Pin Ni	
12	L PDM +5V REF	X601:8	86	OGRD	16	DT 16 Pin Ni							
13	R Tow Point DN SWT	P603:1	118	WHBK	16	DT 16 Pin Ni							
14	R Tow Point Up SWT	P603:2	119	GYBK	16	DT 16 Pin Ni							
15	L Tow Point Up SWT	P603:3	120	YEBK	16	DT 16 Pin Ni							
16	L Tow Point DN SWT	P603:4	121	RDBK	16	DT 16 Pin Ni							
17	Screed Worklights PWM	Y8	100	PK	16	DT 16 Pin Ni							
18	Umbilical CAN1 HI	P711:A	122	YE	20	DT 20 Pin Ni							

P604		Deutsch DT06-2S				
Backup Alarm		Wire Info				
Pin	Signal	Dest.	#	Color	AWG	Termination
1	Backup Alarm GND	P608:1	249	BK	16	
2	Backup Alarm PWM	P600:19	102	OG	16	

P603		Deutsch DTM06-4S				
Tow Point SWT Signals		Wire Info				
Pin	Signal	Dest.	#	Color	AWG	Termination
1	R Tow Point DN SWT	P600:13	118	WHBK	16	DT 20 Socket Ni
2	R Tow Point Up SWT	P600:14	119	GYBK	16	DT 20 Socket Ni
3	L Tow Point Up SWT	P600:15	120	YEBK	16	DT 20 Socket Ni
4	L Tow Point DN SWT	P600:16	121	RDBK	16	DT 20 Socket Ni

P607		Deutsch DTHD06-1-8S				
Ground Power Distribution Block		Wire Info				
Pin	Signal	Dest.	#	Color	AWG	Termination
1	Control Umbilical High Current GND	P600:3	25	BK	12	



Calder Brothers Corporation
450 E Warehouse Ct
Taylors, SC 29687

Screed Control Umbilical

CONTRACT:

LOCATION: P S WS HS1

Screed Control Umbilical

REV.	DATE	NAME	CHANGES	REVISION
0	1/28/2022	Igibson		0
			User data 1	SCHEME
			User data 2	33

A

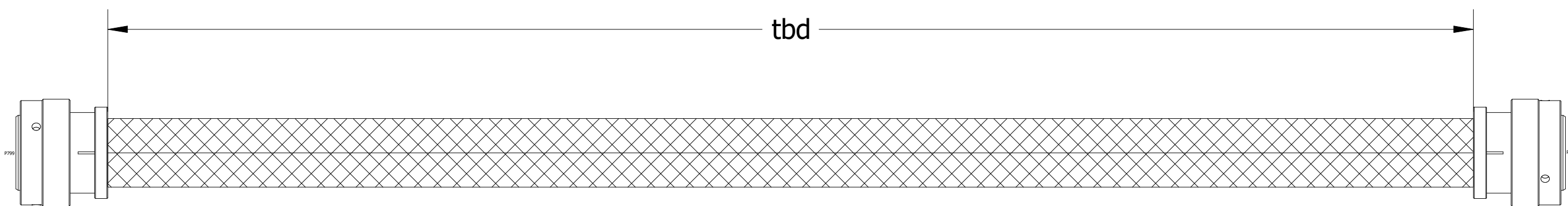
B

C

D

E

1
2
3
4
5
6
7
8
9
10
11
12
13
14
15
16
17
18



P799										Deutsch HDP26-24-31PT-L017			
Left Operator Station Backbone				Wire Info				Wire Info					
Pin	Signal	Dest.	#	Color	AWG	Termination	Pin	Signal	Dest.	#	Color	AWG	Termination
1	Control Umbilical Controller +12V	P899:1	242	RD	16	DT 16 Pin Ni	19	L EXT Retract SWT	P899:19	234	YE	16	DT 16 Pin Ni
2	Dedicated Controller Ground	P899:2	21	BK	16	DT 16 Pin Ni	20	R EXT Retract SWT	P899:20	239	BN	16	DT 16 Pin Ni
3	Control +12V	P899:3	244	RD	16	DT 16 Pin Ni	21	R EXT Extend SWT	P899:21	238	YE	16	DT 16 Pin Ni
4	E-STOP'd +12V	P899:4	246	RD	16	DT 16 Pin Ni	22	R Match Height DN SWT	P899:22	201	GY	16	DT 16 Pin Ni
5	E-STOP Ground Interrupt	P899:5	209	GYBK	16	DT 16 Pin Ni	23	R Match Height Up SWT	P899:23	204	WH	16	DT 16 Pin Ni
6	R PDM +5V REF	P899:6	87	VTRD	16	DT 16 Pin Ni	24	L Match Height DN SWT	P899:24	200	VT	16	DT 16 Pin Ni
7	Splitter CAN1 Hi	P899:7	218	YE	20	DT 16 Pin Ni	25	L Match Height Up SWT	P899:25	203	OG	16	DT 16 Pin Ni
8	Splitter CAN Lo	P899:8	218	GN	20	DT 16 Pin Ni	26	L Tow Point DN SWT	P899:26	121	GY	18	DT 16 Pin Ni
9	Splitter GND	P899:9	224	BK	16	DT 16 Pin Ni	27	L Tow Point Up SWT	P899:27	120	VT	18	DT 16 Pin Ni
10	Splitter ACC	P899:10	227	OG	16	DT 16 Pin Ni	28	R Tow Point DN SWT	P899:28	118	BU	18	DT 16 Pin Ni
11	SWT Bank Fused ACC	P899:11	254	OG	16	DT 16 Pin Ni	29	R Tow Point Up SWT	P899:29	119	OG	18	DT 16 Pin Ni
12	GROUND	P899:12	253	BK	16	DT 16 Pin Ni	30	R Slope Diverter SWT	P899:30	275	GY	16	DT 16 Pin Ni
13	L EXT Heater Zone Signal	P899:13	255	PK	16	DT 16 Pin Ni	31					DT 16 Pin Ni	
14	R EXT RTD Signal	P899:14	257	BN	16	DT 16 Pin Ni							
15	R EXT Heater Zone Signal	P899:15	248	VT	16	DT 16 Pin Ni							
16	L EXT RTD Signal	P899:16	277	OG	16	DT 16 Pin Ni							
17	R Operator Station Sensor GND	P899:17	259	WH	16	DT 16 Pin Ni							
18	L EXT Extend SWT	P899:18	237	PK	16	DT 16 Pin Ni							

P899										Deutsch HDP26-24-31PT-L017			
Left Operator Station Backbone				Wire Info				Wire Info					
Pin	Signal	Dest.	#	Color	AWG	Termination	Pin	Signal	Dest.	#	Color	AWG	Termination
1	Control Umbilical Controller +12V	P799:1	242	RD	16	DT 16 Pin Ni	19	L EXT Retract SWT	P799:19	234	YE	16	DT 16 Pin Ni
2	Dedicated Controller Ground	P799:2	21	BK	16	DT 16 Pin Ni	20	R EXT Retract SWT	P799:20	239	BN	16	DT 16 Pin Ni
3	Control +12V	P799:3	244	RD	16	DT 16 Pin Ni	21	R EXT Extend SWT	P799:21	238	YE	16	DT 16 Pin Ni
4	E-STOP'd +12V	P799:4	246	RD	16	DT 16 Pin Ni	22	R Match Height DN SWT	P799:22	201	GY	16	DT 16 Pin Ni
5	E-STOP Ground Interrupt	P799:5	209	GYBK	16	DT 16 Pin Ni	23	R Match Height Up SWT	P799:23	204	WH	16	DT 16 Pin Ni
6	R PDM +5V REF	P799:6	87	VTRD	16	DT 16 Pin Ni	24	L Match Height DN SWT	P799:24	200	VT	16	DT 16 Pin Ni
7	Splitter CAN1 Hi	P799:7	218	YE	20	DT 16 Pin Ni	25	L Match Height Up SWT	P799:25	203	OG	16	DT 16 Pin Ni
8	Splitter CAN Lo	P799:8	218	GN	20	DT 16 Pin Ni	26	L Tow Point DN SWT	P799:26	121	GY	18	DT 16 Pin Ni
9	Splitter GND	P799:9	224	BK	16	DT 16 Pin Ni	27	L Tow Point Up SWT	P799:27	120	VT	18	DT 16 Pin Ni
10	Splitter ACC	P799:10	227	OG	16	DT 16 Pin Ni	28	R Tow Point DN SWT	P799:28	118	BU	18	DT 16 Pin Ni
11	SWT Bank Fused ACC	P799:11	254	OG	16	DT 16 Pin Ni	29	R Tow Point Up SWT	P799:29	119	OG	18	DT 16 Pin Ni
12	GROUND	P799:12	253	BK	16	DT 16 Pin Ni	30	R Slope Diverter SWT	P799:30	275	GY	16	DT 16 Pin Ni
13	L EXT Heater Zone Signal	P799:13	255	PK	16	DT 16 Pin Ni	31					DT 16 Pin Ni	
14	R EXT RTD Signal	P799:14	257	BN	16	DT 16 Pin Ni							
15	R EXT Heater Zone Signal	P799:15	248	VT	16	DT 16 Pin Ni							
16	L EXT RTD Signal	P799:16	277	OG	16	DT 16 Pin Ni							
17	R Operator Station Sensor GND	P799:17	259	WH	16	DT 16 Pin Ni							
18	L EXT Extend SWT	P799:18	237	PK	16	DT 16 Pin Ni							



Calder Brothers Corporation
450 E Warehouse Ct
Taylors, SC 29687

Operator Station Crosslink

CONTRACT:

LOCATION: P S WS HS3

Operator Station Crosslink

REV.	DATE	NAME	CHANGES
0	1/29/2022	Igibson	
User data 1			User data 2

REVISION
0
SCHEME
36

A

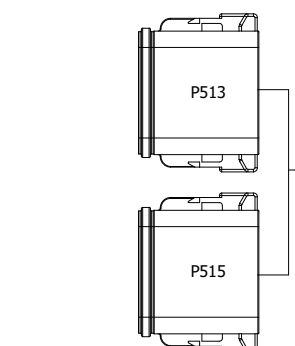
B

C

D

E

P513							Deutsch DT06-12S	
Screed Valve Bank Standard Outputs							Wire Info	
Pin	Signal	Dest.	#	Color	AWG	Termination		
1		P506:1	234	YE	16	DT 16 Socket Ni		
2		P505:1	237	PK	16	DT 16 Socket Ni		
3		P507:1	238	YE	16	DT 16 Socket Ni		
4		P508:1	239	BN	16	DT 16 Socket Ni		
5	R Match Height DN SWT	P504:1	201	GY	16	DT 16 Socket Ni		
6	R Match Height Up SWT	P503:1	204	WH	16	DT 16 Socket Ni		
7	L Match Height DN SWT	P502:1	200	VT	16	DT 16 Socket Ni		
8	L Match Height Up SWT	P501:1	203	OG	16	DT 16 Socket Ni		
9	L Auger FWD PWM	P509:1	65	PK	16	DT 16 Socket Ni		
10	L Auger REV PWM	P510:1	68	GN	16	DT 16 Socket Ni		
11	R Auger REV PWM	P512:1	69	BN	16	DT 16 Socket Ni		
12	R Auger REV PWM	P511:1	66	WH	16	DT 16 Socket Ni		



P515							Deutsch DT06-12S	
Ground Distribution B							Wire Info	
Pin	Signal	Dest.	#	Color	AWG	Termination		
1	L EXT GNDs	Y7	261	BK	16	DT 16 Socket Ni		
2	R EXT GNDs	Y6	262	BK	16	DT 16 Socket Ni		
3	L Circuit Select GNDs	Y5	263	BK	16	DT 16 Socket Ni		
4	R Circuit Select GNDs	Y4	265	BK	16	DT 16 Socket Ni		
5	L Auger GNDs	Y3	266	BK	16	DT 16 Socket Ni		
6	R Auger GNDs	Y2	268	BK	16	DT 16 Socket Ni		
7						DT 16 Socket Ni		
8						DT 16 Socket Ni		
9						DT 16 Socket Ni		
10						DT 16 Socket Ni		
11						DT 16 Socket Ni		
12						DT 16 Socket Ni		

P511							Deutsch DT06-2S	
R Auger FWD							Wire Info	
Pin	Signal	Dest.	#	Color	AWG	Termination		
1	R Auger REV PWM	P513:12	66	WH	16			
2	Spliced Ground	Y2	369	BK	16			

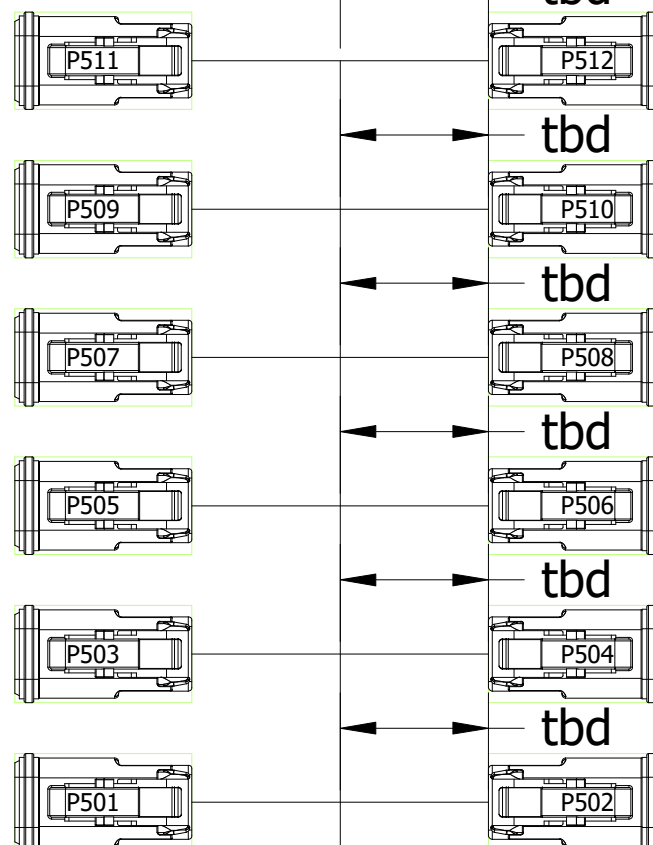
P509							Deutsch DT06-2S	
L Auger FWD							Wire Info	
Pin	Signal	Dest.	#	Color	AWG	Termination		
1	L Auger FWD PWM	P513:9	65	PK	16			
2	Spliced Ground	Y3	371	BK	16			

P507							Deutsch DT06-2S	
R Extension Retract							Wire Info	
Pin	Signal	Dest.	#	Color	AWG	Termination		
1		P513:3	238	YE	16			
2	Spliced Ground	Y6	373	BK	16			

P505							Deutsch DT06-2S	
L Extension Retract							Wire Info	
Pin	Signal	Dest.	#	Color	AWG	Termination		
1		P513:2	237	PK	16			
2	Spliced Ground	Y7	375	BK	16			

P503							Deutsch DT06-2S	
R Circuit Select Up							Wire Info	
Pin	Signal	Dest.	#	Color	AWG	Termination		
1	R Match Height Up SWT	P513:6	204	WH	16			
2	Spliced Ground	Y4	377	BK	16			

P501							Deutsch DT06-2S	
L Circuit Select Up							Wire Info	
Pin	Signal	Dest.	#	Color	AWG	Termination		
1	L Match Height Up SWT	P513:8	203	OG	16			
2	Spliced Ground	Y5	379	BK	16			



P512							Deutsch DT06-2S	
R Auger REV							Wire Info	
Pin	Signal	Dest.	#	Color	AWG	Termination		
1	R Auger REV PWM	P513:11	69	BN	16			
2	Spliced Ground	Y2	370	BK	16			

P510							Deutsch DT06-2S	
L Auger REV							Wire Info	
Pin	Signal	Dest.	#	Color	AWG	Termination		
1	L Auger REV PWM	P513:10	68	GN	16			
2	Spliced Ground	Y3	372	BK	16			

P508							Deutsch DT06-2S	
R Extension Extend							Wire Info	
Pin	Signal	Dest.	#	Color	AWG	Termination		
1		P513:4	239	BN	16			
2	Spliced Ground	Y6	374	BK	16			

P506							Deutsch DT06-2S	
L Extension Extend							Wire Info	
Pin	Signal	Dest.	#	Color	AWG	Termination		
1		P513:1	234	YE	16			
2	Spliced Ground	Y7	376	BK	16			

P504							Deutsch DT06-2S	
R Circuit Select DN							Wire Info	
Pin	Signal	Dest.	#	Color	AWG	Termination		
1	R Match Height DN SWT	P513:5	201	GY	16			
2	Spliced Ground	Y4	378	BK	16			

P502							Deutsch DT06-2S	
L Circuit Select DN							Wire Info	
Pin	Signal	Dest.	#	Color	AWG	Termination		
1	L Match Height DN SWT	P513:7	200	VT	16			
2	Spliced Ground	Y5	380	BK	16			



Calder Brothers Corporation
 450 E Warehouse Ct
 Taylors, SC 29687

Screed Standard Valve Stack

CONTRACT:

LOCATION: P S WS HS4

Screed Standard Valve Stack

REV.	DATE	NAME	CHANGES	REVISION
0	1/28/2022	Igibson		0
			User data 1	SCHEME
			User data 2	37

A

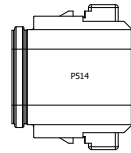
B

C

D

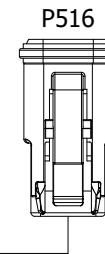
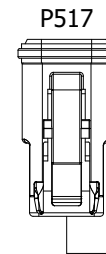
E

1
2
3
4
5
6
7
8
9
10
11
12
13
14
15
16
17
18



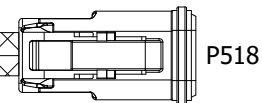
P514							Deutsch DT06-8S
Diverter Valve Option							Wire Info
Pin	Signal	Dest.	#	Color	AWG	Termination	
1	Ground	P516:1	217	BK	16	DT 16 Socket NI	
2	Ground	P517:1	220	BK	16	DT 16 Socket NI	
3	Ground	P518:1	222	BK	16	DT 16 Socket NI	
4						DT 16 Socket NI	
5	L Diverter A SWT	P516:2	228	BN	16	DT 16 Socket NI	
6	L Diverter B SWT	P517:2	229	GN	16	DT 16 Socket NI	
7	R Diverter SWT	P518:2	230	GY	16	DT 16 Socket NI	
8						DT 16 Socket NI	

P516							Deutsch DT06-2S
L Circuit Selector A							Wire Info
Pin	Signal	Dest.	#	Color	AWG	Termination	
1	Ground	P514:1	217	BK	16		
2	L Diverter A SWT	P514:5	228	BN	16		



P517							Deutsch DT06-2S
L Circuit Selector B							Wire Info
Pin	Signal	Dest.	#	Color	AWG	Termination	
1	Ground	P514:2	220	BK	16		
2	L Diverter B SWT	P514:6	229	GN	16		

P518							Deutsch DT06-2S
R Circuit Selector							Wire Info
Pin	Signal	Dest.	#	Color	AWG	Termination	
1	Ground	P514:3	222	BK	16		
2	R Diverter SWT	P514:7	230	GY	16		



Calder Brothers Corporation
450 E Warehouse Ct
Taylors, SC 29687

Diverter Valve Option

CONTRACT:

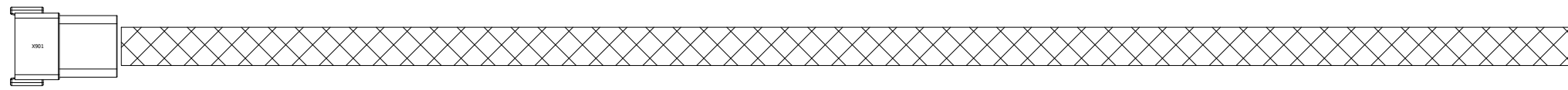
LOCATION: P S WS HS5

Diverter Valve Option

REV.	DATE	NAME	CHANGES
0	1/30/2022	lgibson	
User data 1			User data 2

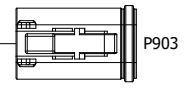
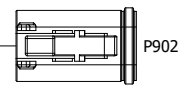
REVISION
0
SCHEME
38

NOTE LENGTHS NOT TO SCALE

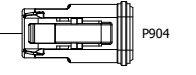


X901		Deutsch DT04-12P				
Heater Control		Wire Info				
Pin	Signal	Dest.	#	Color	AWG	Termination
1	Main Heater Zone A Signal	P902:1	247	BU	16	DT 16 Pin Ni
2	Main Heater RTD Signal	P902:4	260	GN	16	DT 16 Pin Ni
3	Main Heater Zone B Signal	P902:3	206	GY	16	DT 16 Pin Ni
4	Heater Main Sensor GND	P902:5	198	WH	16	DT 16 Pin Ni
5	L EXT Heater Zone Signal	P903:1	255	PK	16	DT 16 Pin Ni
6	R EXT RTD Signal	P903:2	257	BN	16	DT 16 Pin Ni
7	R EXT Heater Zone Signal	P903:3	248	VT	16	DT 16 Pin Ni
8	L EXT RTD Signal	P903:4	277	OG	16	DT 16 Pin Ni
9	R Operator Station Sensor GND	P903:5	259	WH	16	DT 16 Pin Ni
10	Power Ground	P904:1	251	BK	16	DT 16 Pin Ni
11	Fused ACC	Y19	272	OG	16	DT 16 Pin Ni
12						DT 16 Pin Ni

P902		Deutsch DT06-6S				
Left Operator Station Heat Control		Wire Info				
Pin	Signal	Dest.	#	Color	AWG	Termination
1	Main Heater Zone A Signal	X901:1	247	BU	16	DT 16 Socket Ni
2						DT 16 Socket Ni
3	Main Heater Zone B Signal	X901:3	206	GY	16	DT 16 Socket Ni
4	Main Heater RTD Signal	X901:2	260	GN	16	DT 16 Socket Ni
5	Heater Main Sensor GND	X901:4	198	WH	16	DT 16 Socket Ni
6	Spliced Fused ACC	Y19	348	OG	16	DT 16 Socket Ni



P903		Deutsch DT06-6S				
Right Operator Station Heat Control		Wire Info				
Pin	Signal	Dest.	#	Color	AWG	Termination
1	L EXT Heater Zone Signal	X901:5	255	PK	16	DT 16 Socket Ni
2	R EXT RTD Signal	X901:6	257	BN	16	DT 16 Socket Ni
3	R EXT Heater Zone Signal	X901:7	248	VT	16	DT 16 Socket Ni
4	L EXT RTD Signal	X901:8	277	OG	16	DT 16 Socket Ni
5	R Operator Station Sensor GND	X901:9	259	WH	16	DT 16 Socket Ni
6						DT 16 Socket Ni



P904		Deutsch DT06-2S				
USB Charger		Wire Info				
Pin	Signal	Dest.	#	Color	AWG	Termination
1	Power Ground	X901:10	251	BK	16	DT 16 Socket Ni
2	Fused ACC	Y19	343	OG	16	DT 16 Socket Ni



Calder Brothers Corporation
450 E Warehouse Ct
Taylors, SC 29687

Heater Control

CONTRACT:

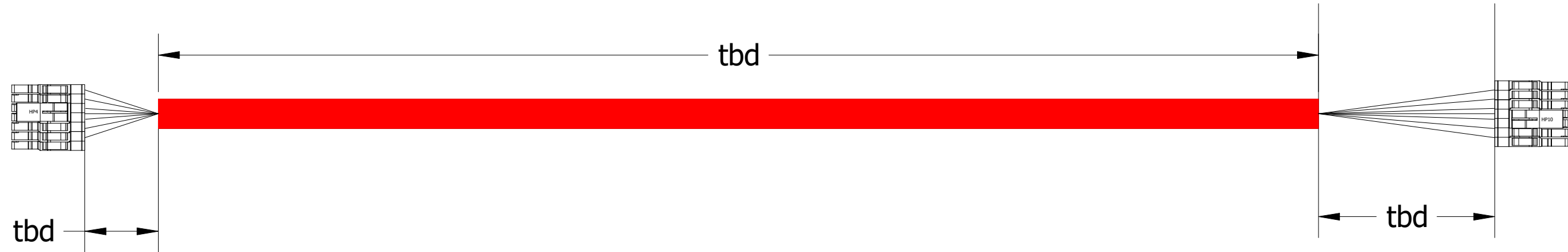
LOCATION: P S WS HS6

Heater Control

REV.	DATE	NAME	CHANGES
0	1/30/2022	Igibson	
User data 1			User data 2

REVISION
0
SCHEME
39

NOTE LENGTHS NOT TO SCALE



HP10 Right Extension Harness Plug, Resistor End Wire Info						
Pin	Signal	Dest.	#	Color	AWG	Termination
RTD (+)	Right Extension RTD (+)	HP4:RTD (+)	339	BN	16	Black Ferrule
RTD (-)	Right Extension RTD (-)	HP4:RTD (-)	344	WH	16	Black Ferrule
PE	Protective Ground	HP4:PE	PE	GNYE	16	Black Ferrule
N	R Extension Neutral	HP4:N	N-29	GY	16	Black Ferrule
L1	R Extension L1	HP4:L1	1-29	BK	16	Black Ferrule
L2	R Extension L2	HP4:L2	2-29	BU	16	Black Ferrule
L3	R Extension L3	HP4:L3	3-29	BN	16	Black Ferrule

HP4 Right Extension Harness Plug, Resistor End Wire Info						
Pin	Signal	Dest.	#	Color	AWG	Termination
RTD (+)	Right Extension RTD (+)	HP10:RTD (+)	339	BN	16	Black Ferrule
RTD (-)	Right Extension RTD (-)	HP10:RTD (-)	344	WH	16	Black Ferrule
PE	Protective Ground	HP10:PE	PE	GNYE	16	Black Ferrule
N	R Extension Neutral	HP10:N	N-29	GY	16	Black Ferrule
L1	R Extension L1	HP10:L1	1-29	BK	16	Black Ferrule
L2	R Extension L2	HP10:L2	2-29	BU	16	Black Ferrule
L3	R Extension L3	HP10:L3	3-29	BN	16	Black Ferrule

HP8 Right End Gate Resistor Plug						
Pin	Signal	Dest.	#	Color	AWG	Termination
L1	R End Gate L1	EGRR	1-26	BK	16	Black Ferrule
L2	R End Gate L2	EGRR	2-26	BU	16	Black Ferrule
L3	R End Gate L3	EGRR	3-26	BN	16	Black Ferrule
PE	Protective Ground	EGRR	PE	GNYE	16	Black Ferrule



Calder Brothers Corporation
450 E Warehouse Ct
Taylors, SC 29687

Right Extension Resistor

CONTRACT: LOCATION: P S WS HS8 Right Extension Resistor

REV.	DATE	NAME	CHANGES
0	3/4/2022	Igibson	User data 1
			User data 2

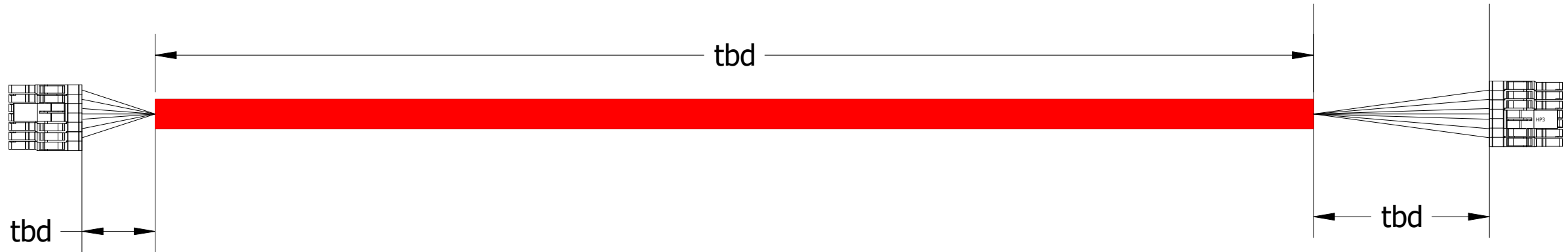
REVISION
0
SCHEME
40

NOTE LENGTHS NOT TO SCALE

HP3 Left Extension Harness Plug, Resistor Wire Info						
Pin	Signal	Dest.	#	Color	AWG	Termination
RTD (+)	L Extension RTD (+)	HP9:RTD (+)340	OG	16		Black Ferrule
RTD (-)	L Extension RTD (-)	HP9:RTD (-)342	WH	16		Black Ferrule
PE	Protective Ground	HP9:PE	PE	GNYE	16	Black Ferrule
N	L Extension Neutral	HP9:N	N-28	GY	16	Black Ferrule
L1	L Extension L1	HP9:L1	L1-28	BK	16	Black Ferrule
L2	L Extension L2	HP9:L2	L2-28	BU	16	Black Ferrule
L3	L Extension L3	HP9:L3	L3-28	BN	16	Black Ferrule

HP9 Left Extension Harness Plug, Resistor Wire Info						
Pin	Signal	Dest.	#	Color	AWG	Termination
RTD (+)	L Extension RTD (+)	HP3:RTD (+)340	OG	16		Black Ferrule
RTD (-)	L Extension RTD (-)	HP3:RTD (-)342	WH	16		Black Ferrule
PE	Protective Ground	HP3:PE	PE	GNYE	16	Black Ferrule
N	L Extension Neutral	HP3:N	N-28	GY	16	Black Ferrule
L1	L Extension L1	HP3:L1	L1-28	BK	16	Black Ferrule
L2	L Extension L2	HP3:L2	L2-28	BU	16	Black Ferrule
L3	L Extension L3	HP3:L3	L3-28	BN	16	Black Ferrule

HP7 Left End Gate Resistor Plug						
Pin	Signal	Dest.	#	Color	AWG	Termination
L1	L End Gate L1	EGR1	L1-24	BK	16	Black Ferrule
L2	L End Gate L2	EGR2	L2-24	BU	16	Black Ferrule
L3	L End Gate L3	EGR3	L3-24	BN	16	Black Ferrule
PE	Protective Ground	EGR4	PE	GNYE	16	Black Ferrule



Calder Brothers Corporation
450 E Warehouse Ct
Taylors, SC 29687

Left Extension Resistor

CONTRACT:

LOCATION: P S WS HS9

Left Extension Resistor

REV.	DATE	NAME	CHANGES	REVISION
0	3/4/2022	lgibson		0
User data 1			User data 2	SCHEME
				41

NOTE LENGTHS NOT TO SCALE

HP11		Calder Brothers 020-421294				
Pin	Signal	Dest.	#	Color	AWG	Termination
L1	Main Screed Bank A L1	HP110:L1	1-17	BK	16	Black Ferrule
L2	Main Screed Bank A L2	HP110:L2	2-17	BU	16	Black Ferrule
L3	Main Screed Bank A L3	HP110:L3	3-17	BN	16	Black Ferrule
LX	Left Extension Crossover L1	HP110:L1X	1-12	BK	16	Black Ferrule
PE	Protective Ground	HP110:PE	PE	GNYE	16	Black Ferrule
PE	Protective Ground	HP110:PE	PE	GNYE	16	Black Ferrule
N	Main Bank A Neutral	HP110:N	N-3	GY	16	Black Ferrule
NX	L Extension Crossover Neutral	HP110:NX	N-4	GY	16	Black Ferrule
RTD (-)	Main Screed RTD (-)	HP110:RTD	335	WH	16	Black Ferrule
RTD (+)	Main Screed RTD (+)	HP110:RTD	345	BKWH	16	Black Ferrule

HP120		Calder Brothers 020-421299				
Pin	Signal	Dest.	#	Color	AWG	Termination
EMPTY						Black Ferrule
EMPTY						Black Ferrule
N						Black Ferrule
N	Main Bank B Neutral	HP12:N	N-5	GY	16	Black Ferrule
PE	Protective Ground	HP12:PE	PE	GNYE	16	Black Ferrule
PE	Protective Ground	HP12:PE	PE	GNYE	16	Black Ferrule
L1	Main Screed Bank B L1	HP12:L1	1-18	BK	16	Black Ferrule
L2	Main Screed Bank B L2	HP12:L2	2-18	BU	16	Black Ferrule
L3	Main Screed Bank B L3	HP12:L3	3-18	BN	16	Black Ferrule
L3X	R Extension Crossover L3	HP12:L3X	3-21	BN	16	Black Ferrule
NX	R Extension Crossover Neutral	HP12:NX	N-6	GY	16	Black Ferrule



HP12		Calder Brothers 020-421294				
Pin	Signal	Dest.	#	Color	AWG	Termination
L1	Main Screed Bank B L1	HP120:L1	1-18	BK	16	Black Ferrule
L2	Main Screed Bank B L2	HP120:L2	2-18	BU	16	Black Ferrule
L3	Main Screed Bank B L3	HP120:L3	3-18	BN	16	Black Ferrule
LX	R Extension Crossover L3	HP120:L3X	3-21	BN	16	Black Ferrule
PE	Protective Ground	HP120:PE	PE	GNYE	16	Black Ferrule
PE	Protective Ground	HP120:PE	PE	GNYE	16	Black Ferrule
N	Main Bank B Neutral	HP120:N	N-5	GY	16	Black Ferrule
NX	R Extension Crossover Neutral	HP120:NX	N-6	GY	16	Black Ferrule
RTD (-)						Black Ferrule
RTD (+)						Black Ferrule

HP110		Calder Brothers 020-421303				
Pin	Signal	Dest.	#	Color	AWG	Termination
NX	L Extension Crossover Neutral	HP11:NX	N-4	GY	16	Black Ferrule
L1X	Left Extension Crossover L1	HP11:L1X	1-12	BK	16	Black Ferrule
L1	Main Screed Bank A L1	HP11:L1	1-17	BK	16	Black Ferrule
L2	Main Screed Bank A L2	HP11:L2	2-17	BU	16	Black Ferrule
L3	Main Screed Bank A L3	HP11:L3	3-17	BN	16	Black Ferrule
PE	Protective Ground	HP11:PE	PE	GNYE	16	Black Ferrule
PE	Protective Ground	HP11:PE	PE	GNYE	16	Black Ferrule
N	Main Bank A Neutral	HP11:N	N-3	GY	16	Black Ferrule
N						Black Ferrule
RTD (+)	Main Screed RTD (-)	HP11:RTD	335	WH	16	Black Ferrule
RTD (-)	Main Screed RTD (+)	HP11:RTD	345	BKWH	16	Black Ferrule



Calder Brothers Corporation
450 E Warehouse Ct
Taylors, SC 29687

Main Screed Resistor

CONTRACT:

LOCATION: P S WS HS10

Main Screed Resistor

0 3/4/2022 lgibson

User data 1

CHANGES

User data 2

REVISION

0

SCHEME

42