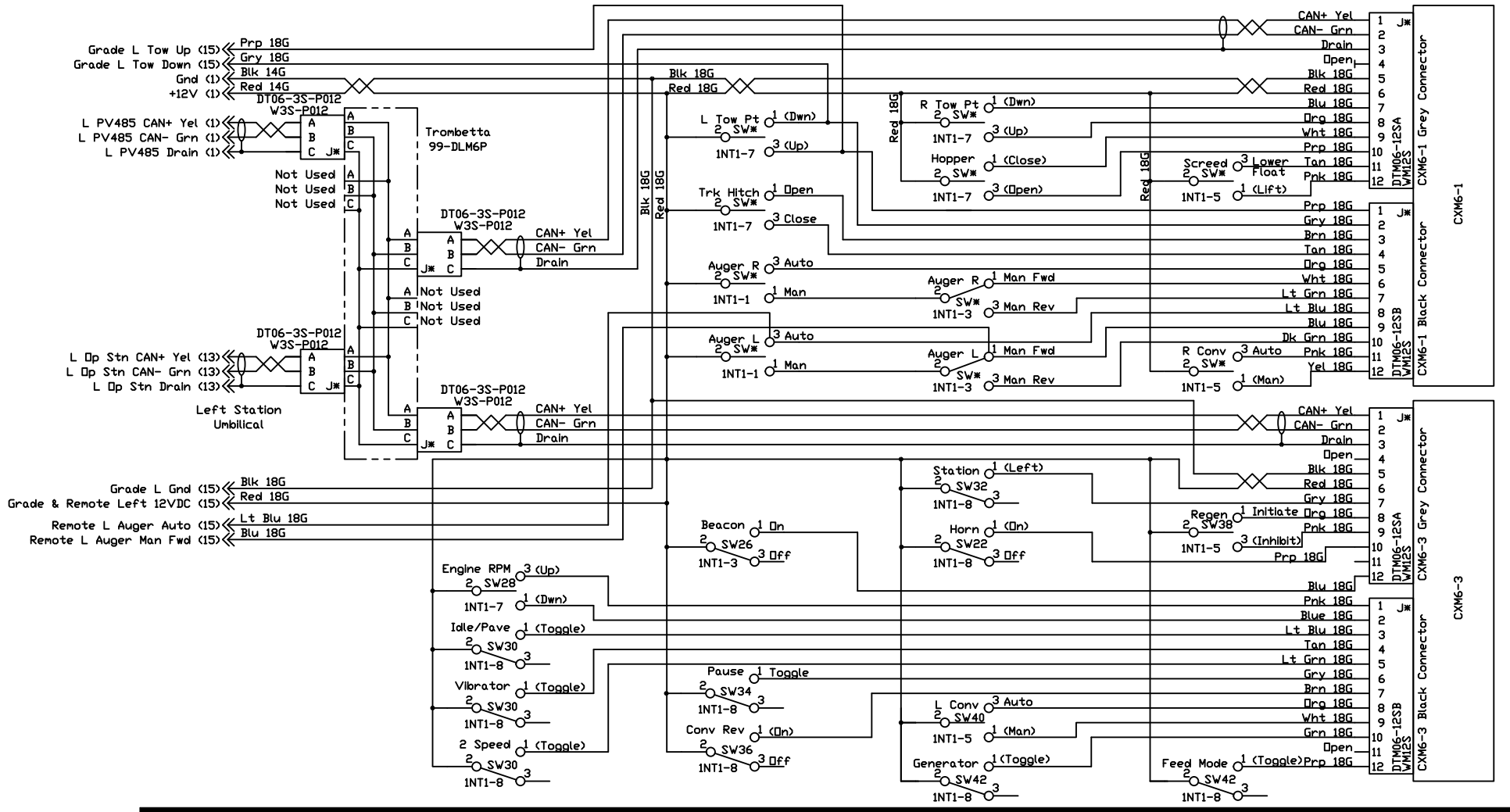


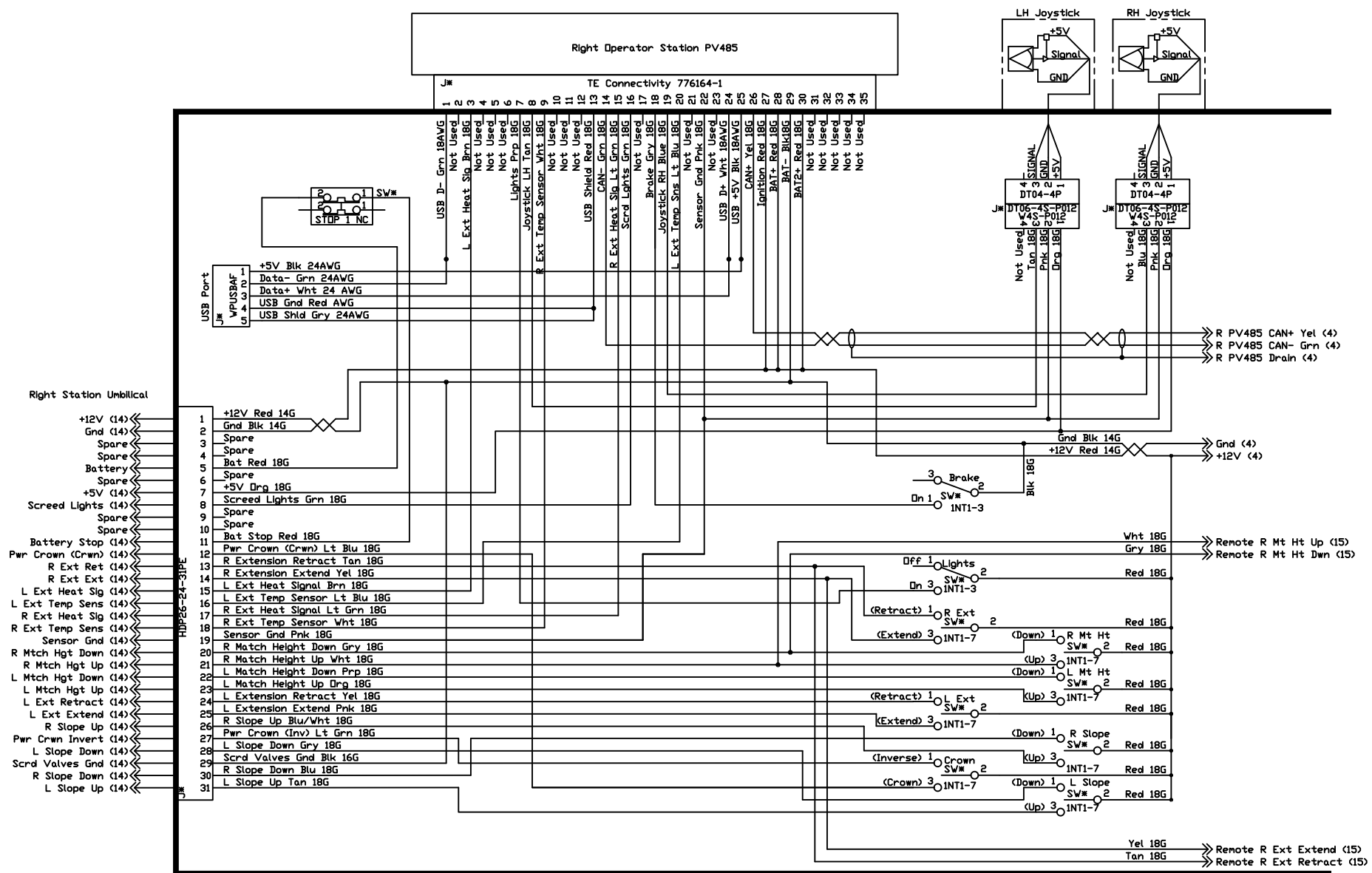
DRAWN: CJF	10/9/20	TITLE: Tier IV Cummins QSB 3.8 Paver	REVISION NO: R2
EFFECTIVE IN SN:	10/9/20	DRAWING NO: EL 1860 - 01	SHEET: 1 OF 16
EFFECTIVE OUT SN:			
CAD_FILE: EL 1860-01.dwg	10/9/20		

Left Operator Station



MAULDIN®
Paving Products

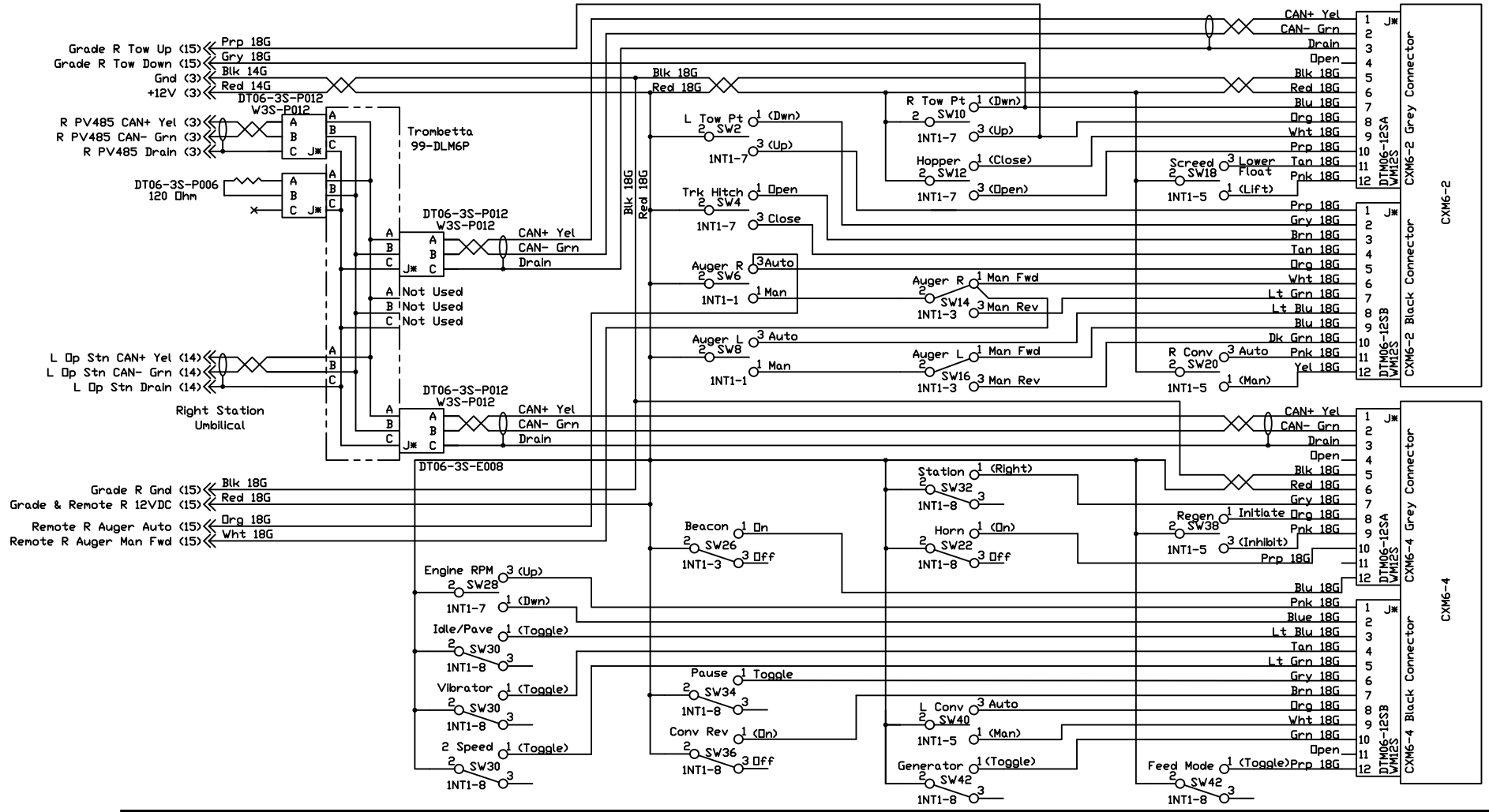
DRAWN: CJF	10/9/20	TITLE: Tier IV Cummins QSB 3.8 Paver	REVISION NO: R2
EFFECTIVE IN SN:	10/9/20	DRAWING NO: EL 1860 - 01	SHEET: 2 OF: 16
EFFECTIVE OUT SN:			
CAD_FILE: EL 1860-01.dwg	10/9/20		



MAULDIN®
Paving Products

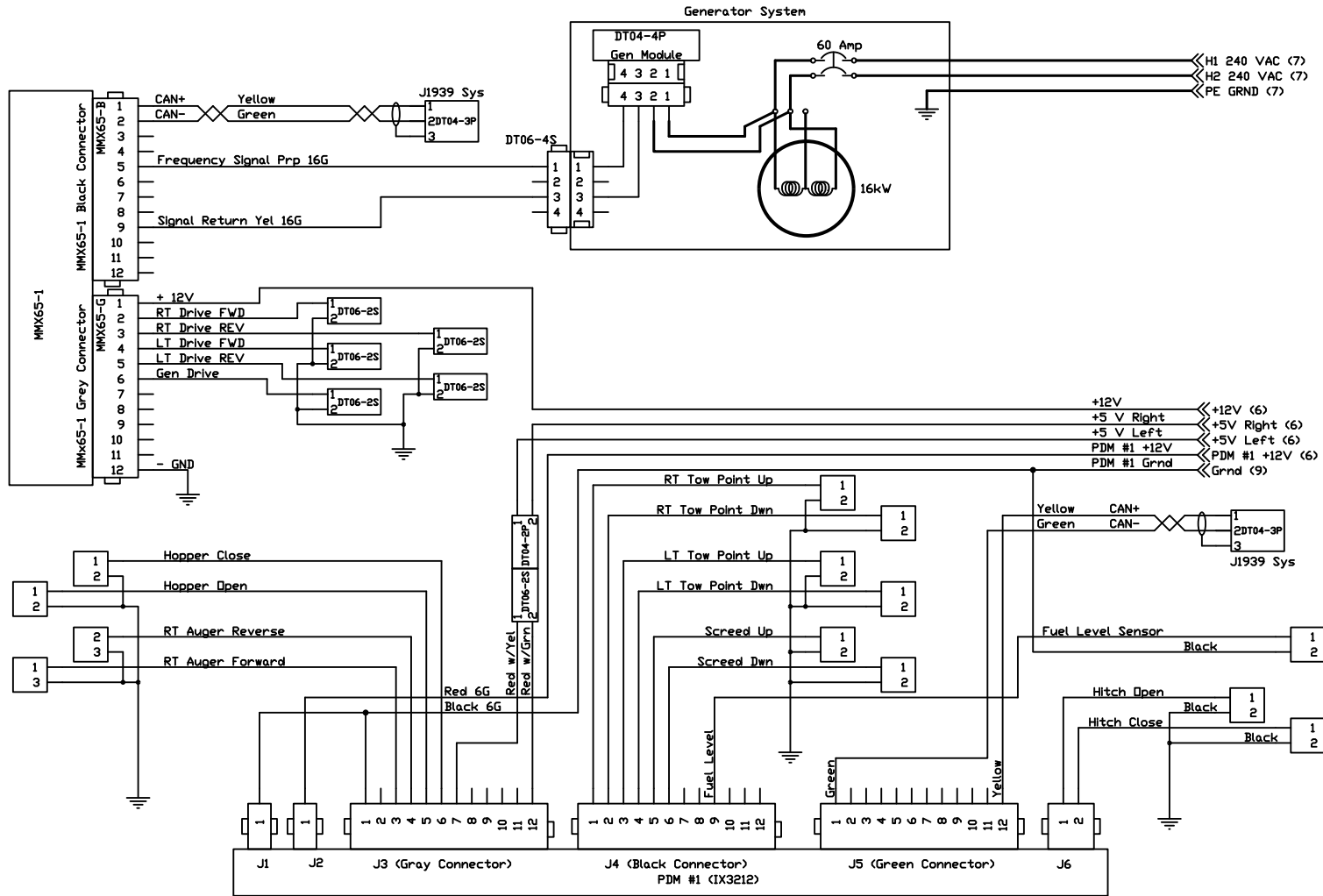
DRAWN: CJF	10/9/20	TITLE: Tier IV Cummins QSB 3.8 Paver	REVISION NO: R2
EFFECTIVE IN SN:	10/9/20		SHEET: 3 OF: 16
EFFECTIVE OUT SN:		DRAWING NO: EL 1860 - 01	
CAD_FILE: EL 1860-01.dwg	10/9/20		

Right Operator Station



MAULDIN®
Paving Products

DRAWN: CJF	10/9/20	TITLE: Tier IV Cummins QSB 3.8 Paver	REVISION NO: R2
EFFECTIVE IN SN:	10/9/20		SHEET: 4 OF 16
EFFECTIVE OUT SN:		DRAWING NO: EL 1860 - 01	
CAD_FILE: EL 1860-01.dwg	10/9/20		



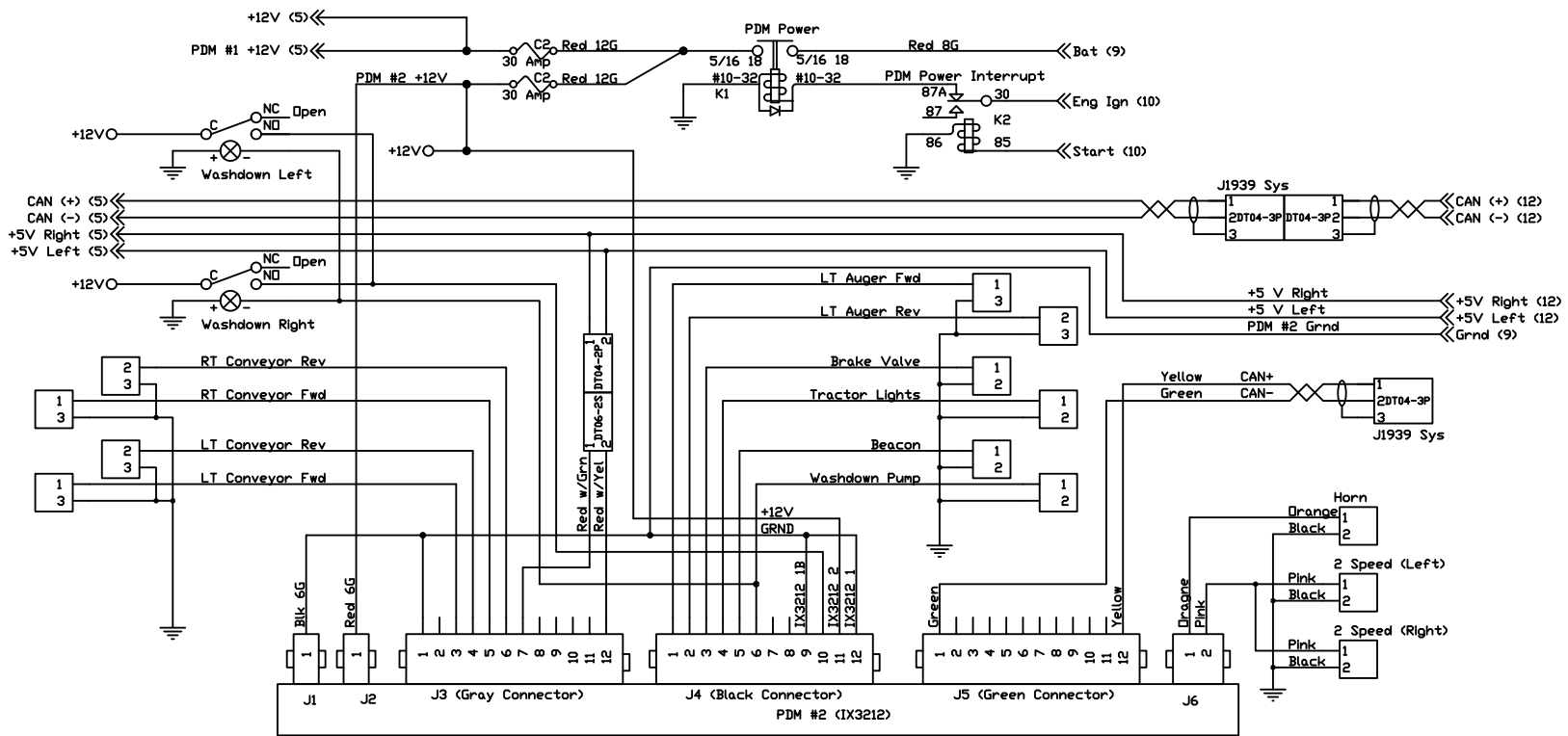
MAULDIN®
Paving Products

DRAWN:	DMC	10/30/19
EFFECTIVE IN SN:		10/09/20
EFFECTIVE OUT SN:		
CAD_FILE:	EL 1860-01.dwg	10/09/20

TITLE: Tier IV Cummins QSB 3.8 Paver

DRAWING NO: EL 1860 - 01

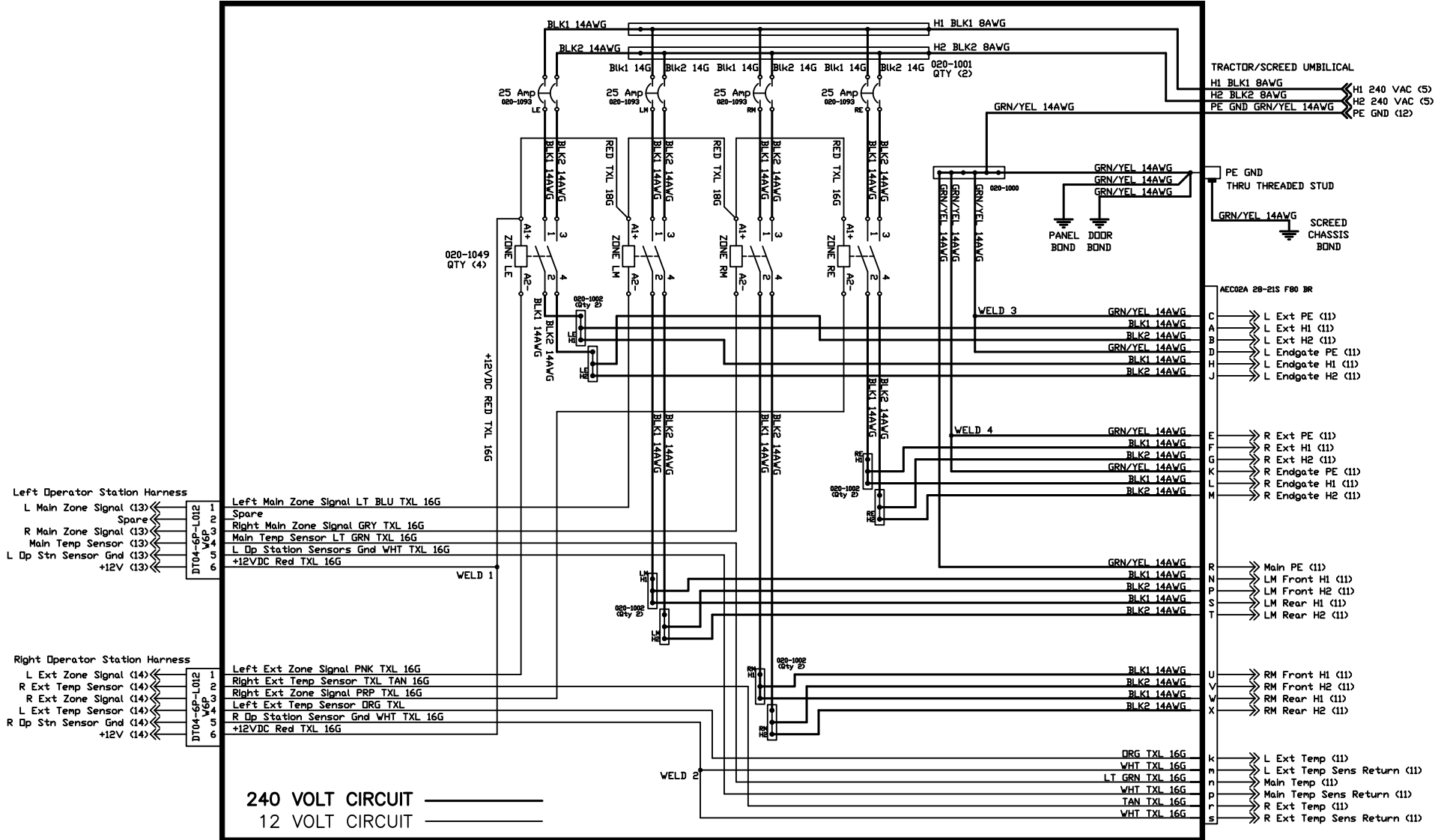
REVISION NO: R2
SHEET: 5 OF 16



MAULDIN®
Paving Products

DRAWN: DMC	10/30/19	TITLE: Tier IV Cummins QSB 3.8 Paver	REVISION NO: R2
EFFECTIVE IN SN:	10/09/20		DRAWING NO: EL 1860 - 01
EFFECTIVE OUT SN:			
CAD_FILE: EL 1860-01.dwg	10/09/20		SHEET: 6 OF: 16

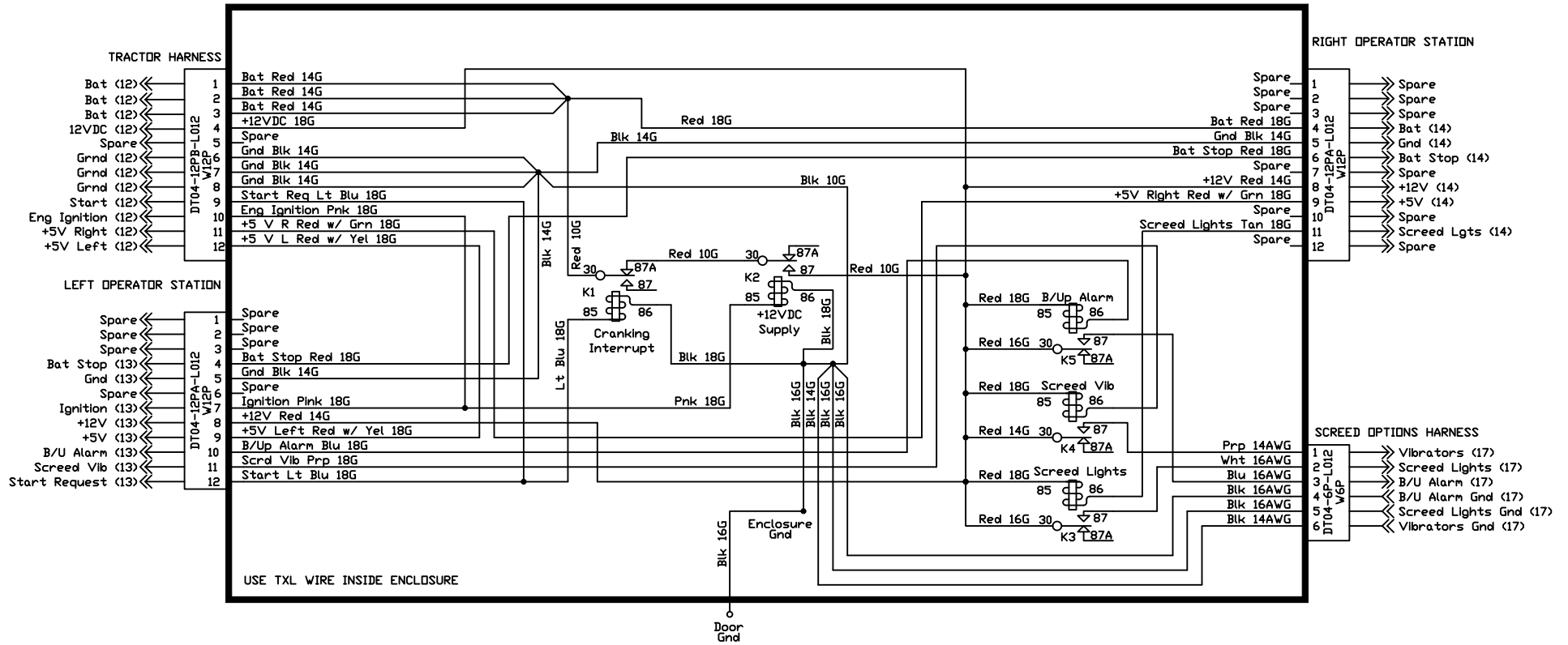
240VAC SCREENED ENCLOSURE



MAULDIN®
Paving Products

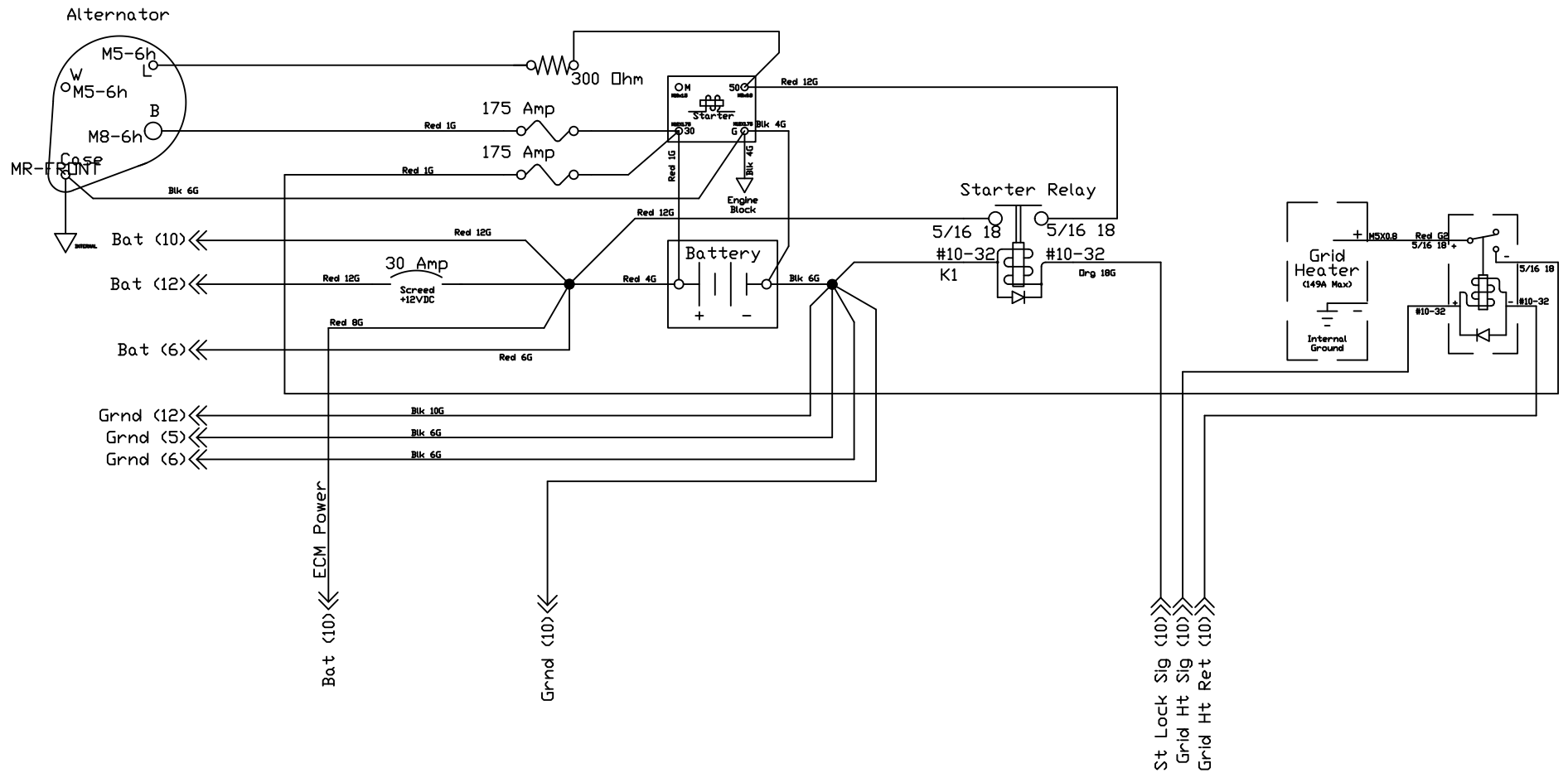
DRAWN: CJF	10/9/20	TITLE: Tier IV Cummins QSB 3.8 Paver	REVISION NO: R2
EFFECTIVE IN SN:	10/9/20		
EFFECTIVE OUT SN:		DRAWING NO: EL 1860 - 01	SHEET: 7 OF: 16
CAD_FILE: EL 1860-01.dwg	10/9/20		

12VDC SCREED ENCLOSURE



MAULDIN®
Paving Products

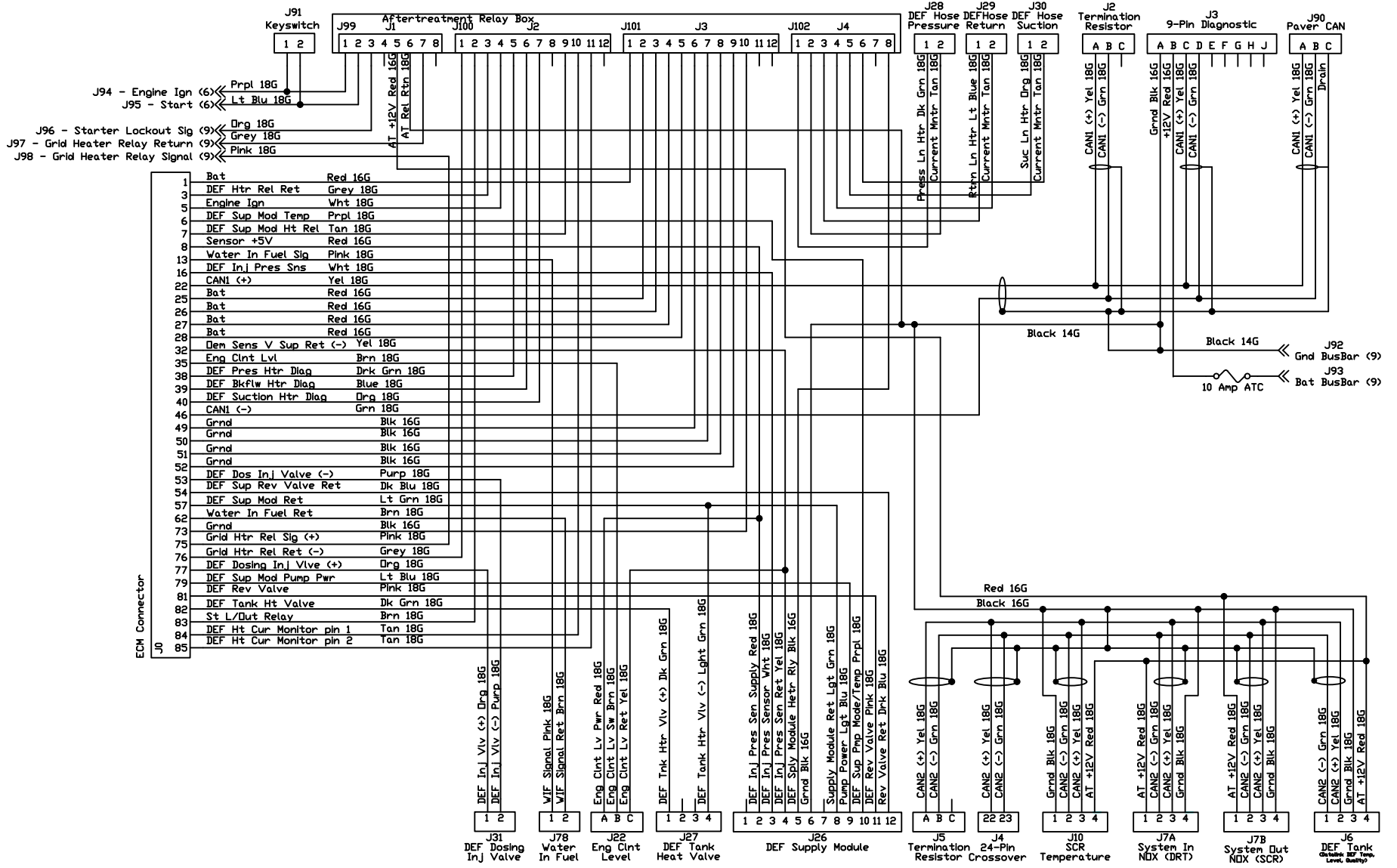
DRAWN:	CJF	10/9/20	TITLE:	Tier IV Cummins QSB 3.8 Paver	
EFFECTIVE IN SN:		10/9/20	DRAWING NO.:	EL 1860 - 01	
EFFECTIVE OUT SN:			REVISION NO.:	R2	
CAD_FILE:	EL 1860-01.dwg	10/9/20	SHEET:	8 OF 16	



MAULDIN®
Paving Products

DRAWN:	DMC	10/30/19
EFFECTIVE IN SN:		10/09/20
EFFECTIVE OUT SN:		
CAD_FILE:	EL 1860-01.dwg	10/09/20

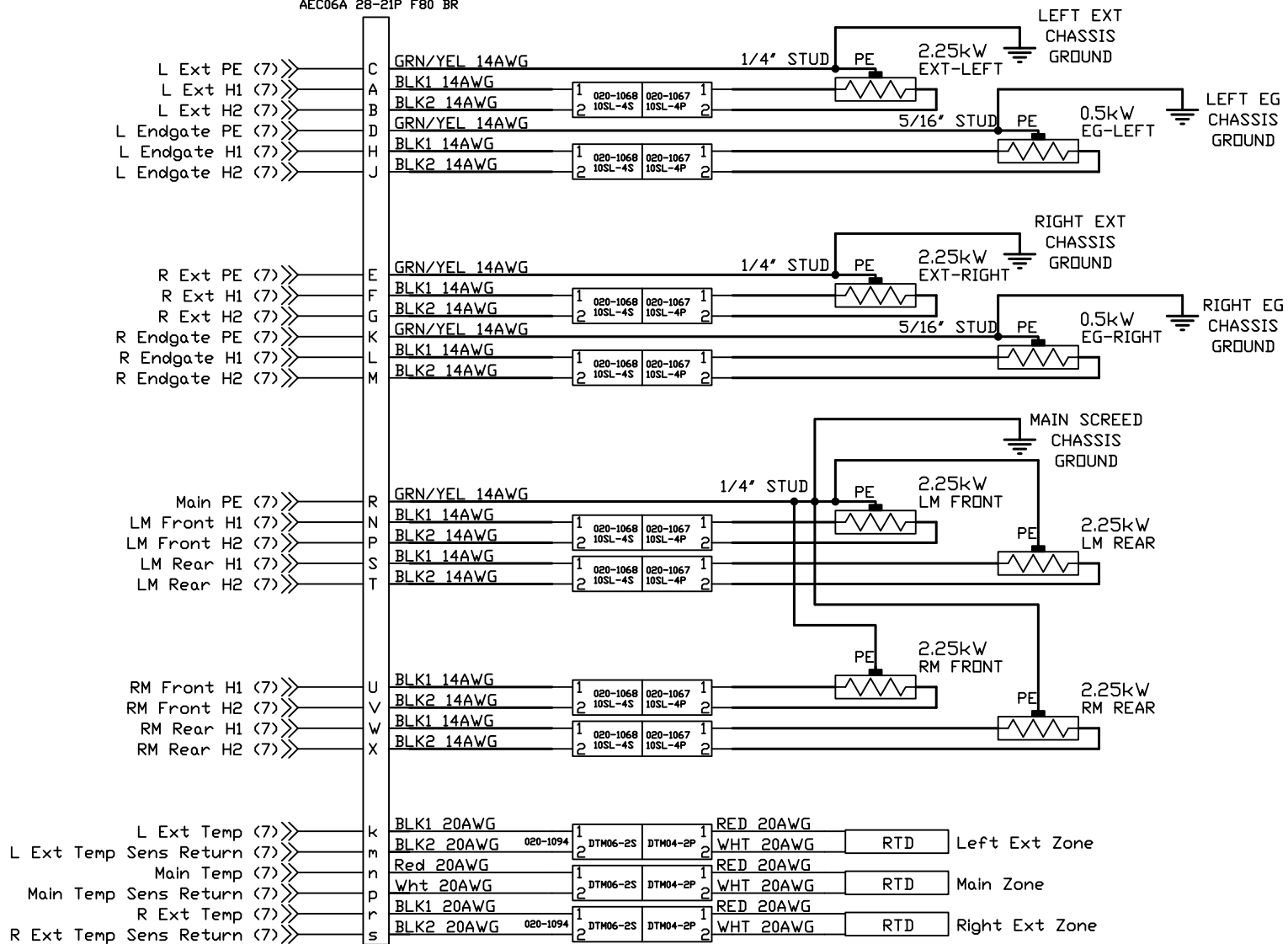
TITLE:	Tier IV Cummins QSB 3.8 Paver	
DRAWING NO:	EL 1860 - 01	REVISION NO: R2
		SHEET: 9 OF: 16



MAULDIN®
Paving Products

DRAWN:	CJF	10/09/20	TITLE:	Tier IV Cummins QSB 3.8 Paver	
EFFECTIVE IN SN:		10/09/20	DRAWING NO:	EL 1860 - 01	
EFFECTIVE OUT SN:			REVISION NO:	R2	
CAD_FILE:	EL 1860-01.dwg	10/09/20	SHEET:	10 OF 16	

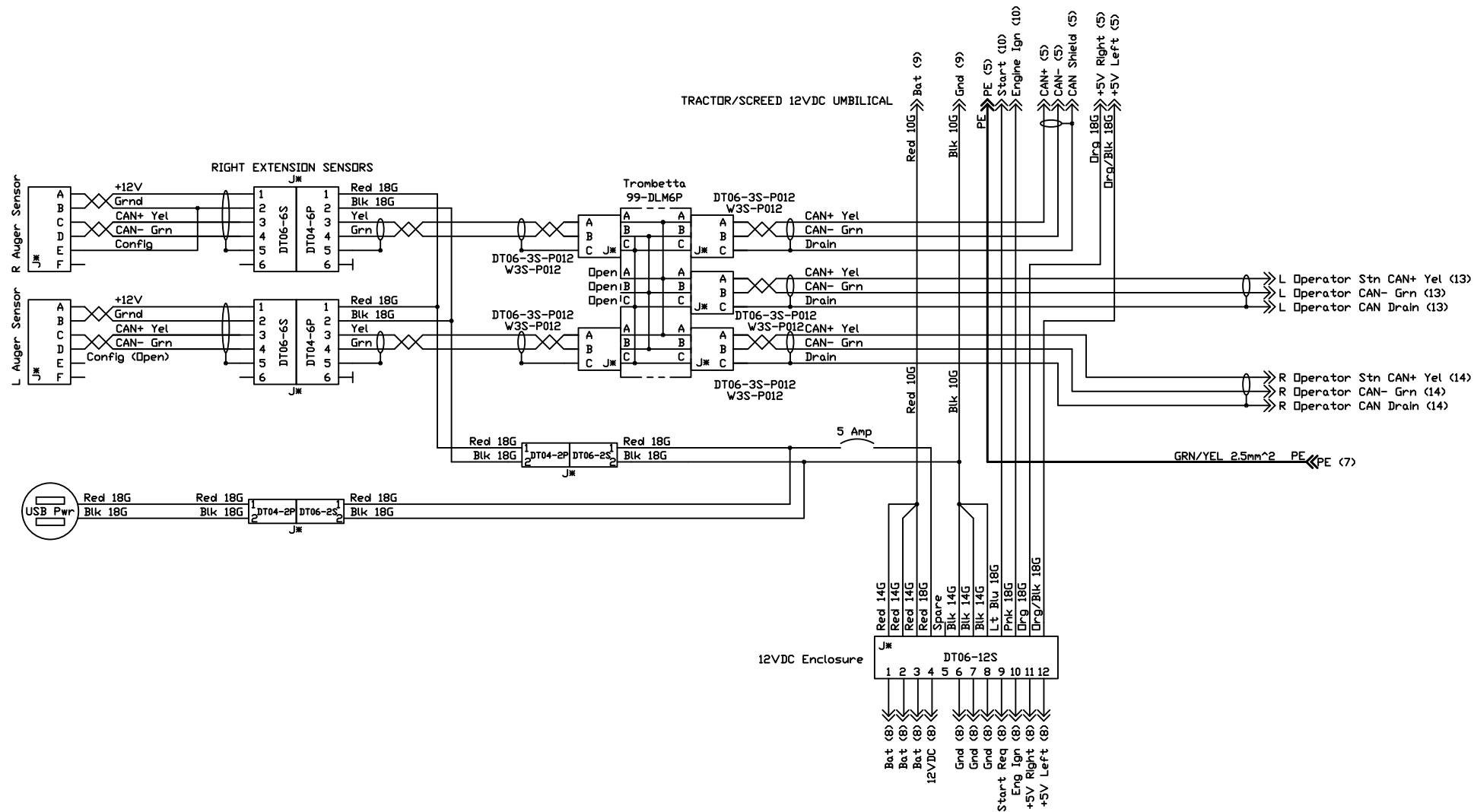
AEC06A 28-21P F80 BR



MAULDIN®
Paving Products

DRAWN:	CJF	10/9/20
EFFECTIVE IN SN:		10/9/20
EFFECTIVE OUT SN:		
CAD_FILE:	EL 1860-01.dwg	10/9/20

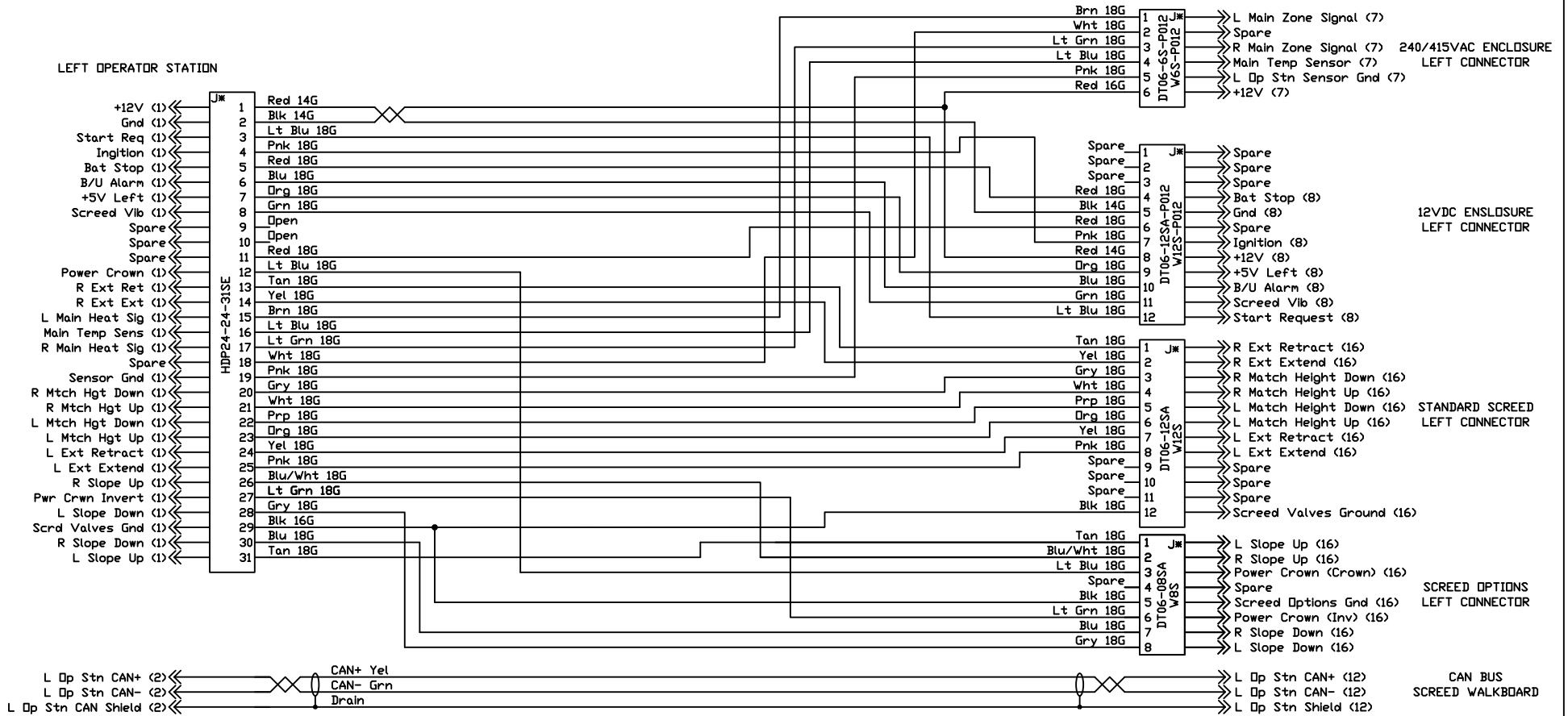
TITLE:	Tier IV Cummins QSB 3.8 Paver	
DRAWING NO:	EL 1860 - 01	REVISION NO: R2
		SHEET: 11 OF: 16



MAULDIN®
Paving Products

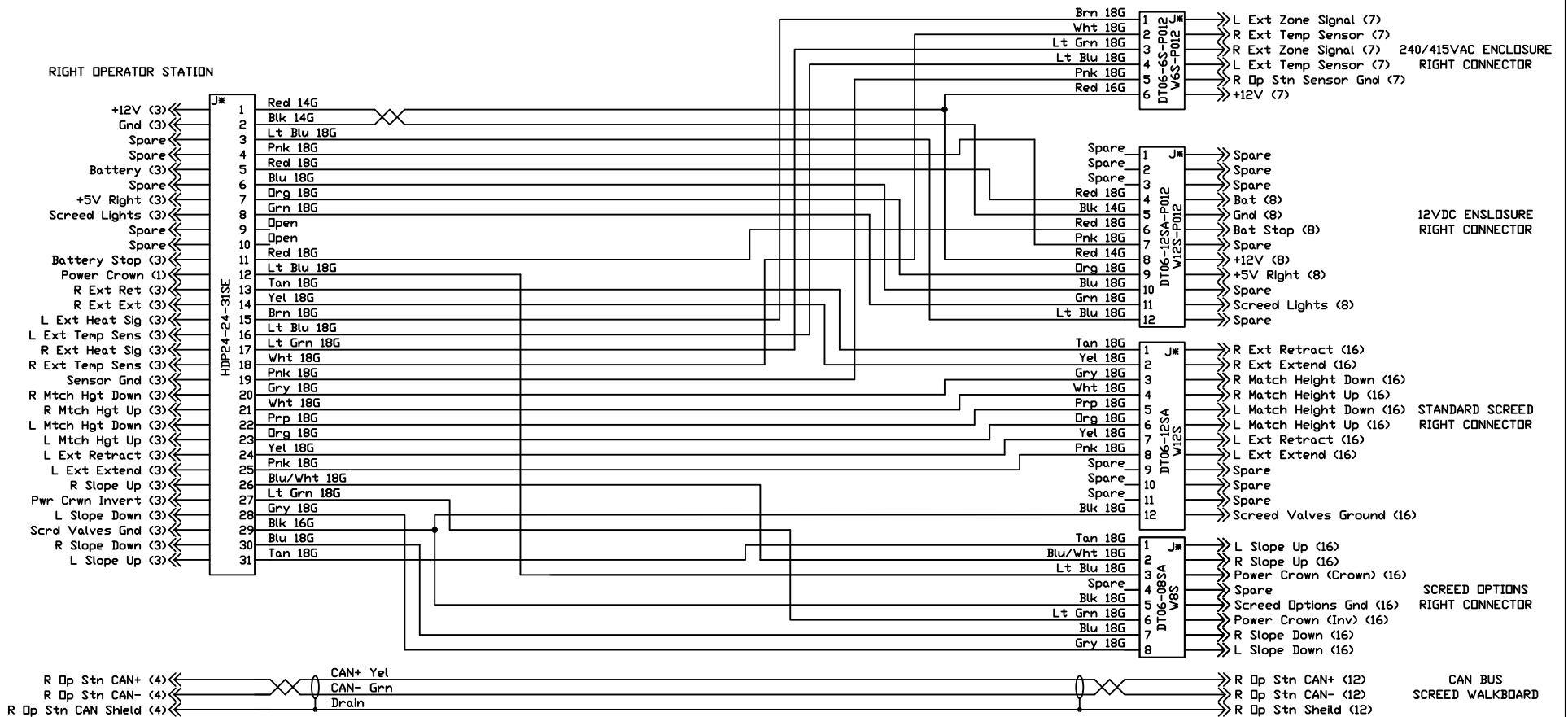
DRAWN:	CJF	10/9/20
EFFECTIVE IN SN:		10/9/20
EFFECTIVE OUT SN:		
CAD_FILE:	EL 1860-01.dwg	10/9/20

TITLE:	Tier IV Cummins QSB 3.8 Paver	
DRAWING NO:	EL 1860 - 01	REVISION NO: R2
		SHEET: 12 OF: 16



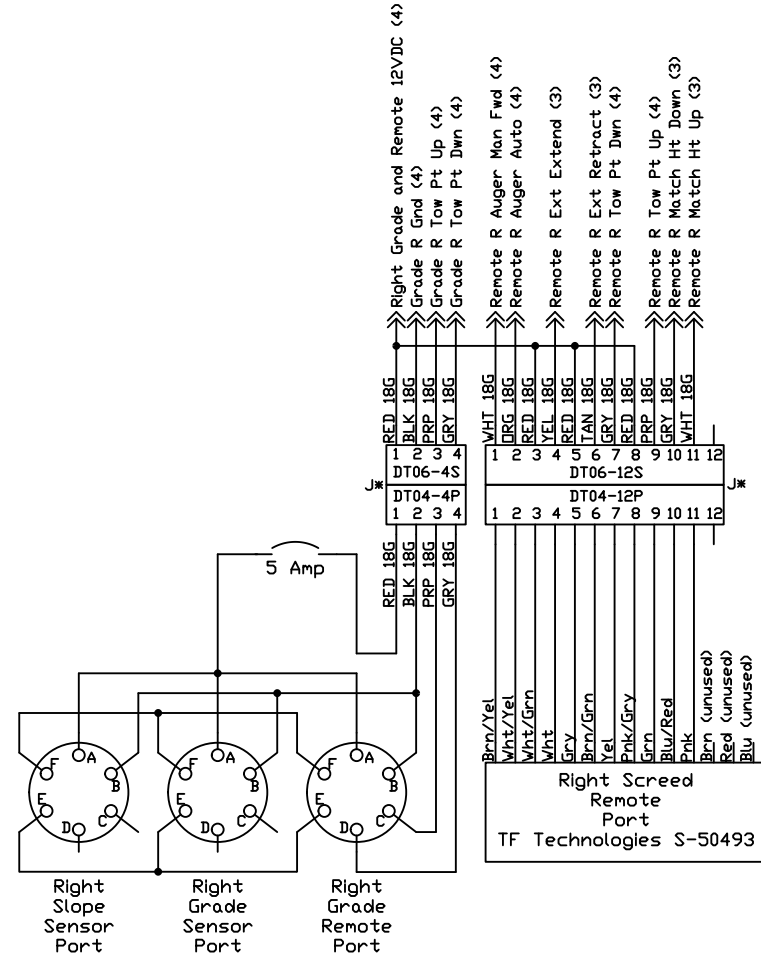
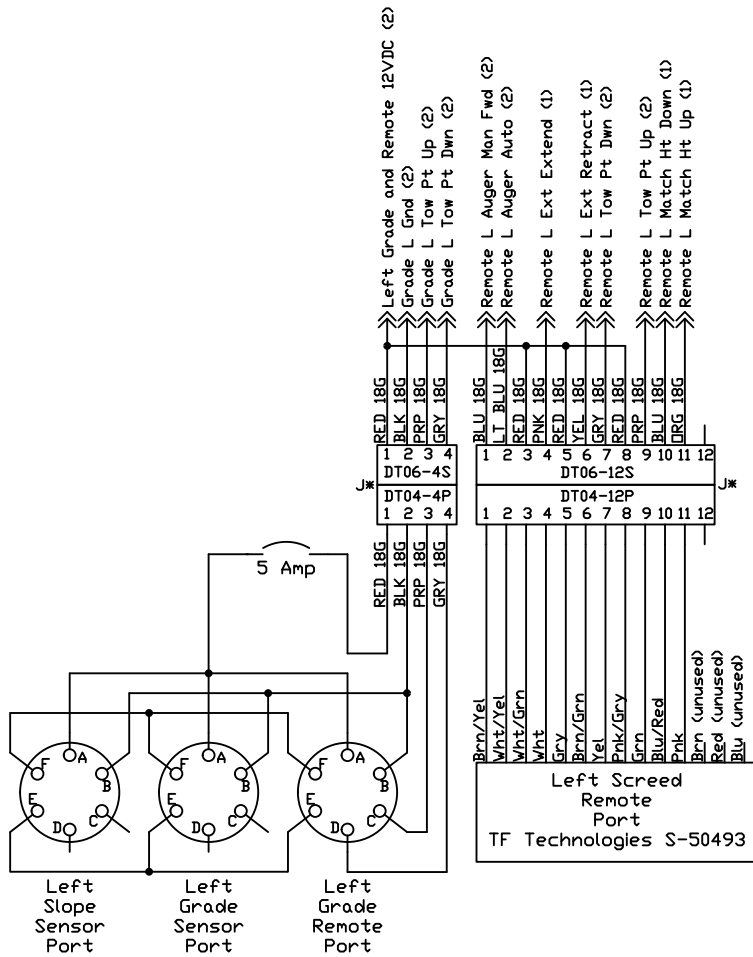
MAULDIN®
Paving Products

DRAWN: CJF	10/9/20	TITLE: Tier IV Cummins QSB 3.8 Paver	REVISION NO: R2
EFFECTIVE IN SN:	10/9/20		DRAWING NO: EL 1860 - 01
EFFECTIVE OUT SN:		SHEET: 13 OF 16	
CAD_FILE: EL 1860-01.dwg	10/9/20		



MAULDIN®
Paving Products

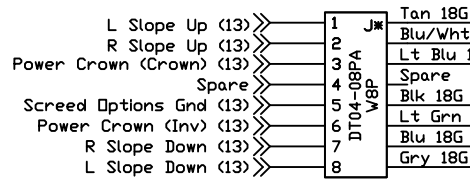
DRAWN: CJF	10/9/20	TITLE: Tier IV Cummins QSB 3.8 Paver	REVISION NO: R2
EFFECTIVE IN SN:	10/9/20	DRAWING NO: EL 1860 - 01	SHEET: 14 OF: 16
EFFECTIVE OUT SN:			
CAD_FILE: EL 1860-01.dwg	10/9/20		



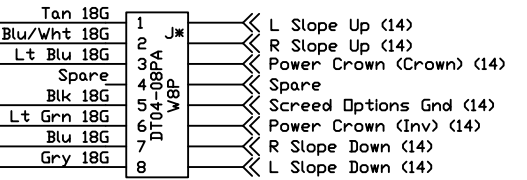
MAULDIN®
Paving Products

DRAWN:	CJF	10/9/20	TITLE:	Tier IV Cummins QSB 3.8 Paver	
EFFECTIVE IN SN:		10/9/20	DRAWING NO.:	EL 1860 - 01	
EFFECTIVE OUT SN:			REVISION NO.:	R2	
CAD_FILE:	EL 1860-01.dwg	10/9/20	SHEET:	15 OF 16	

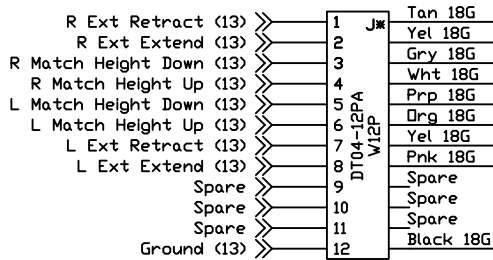
SCREED OPTIONS
LEFT CONNECTOR



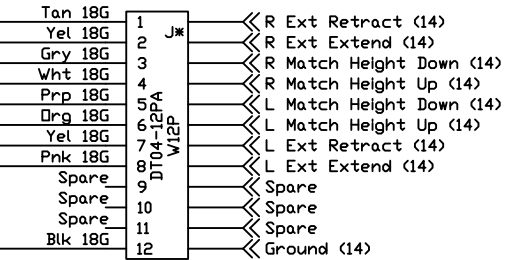
SCREED OPTIONS
RIGHT CONNECTOR



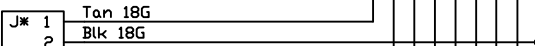
STANDARD SCREED
LEFT CONNECTOR



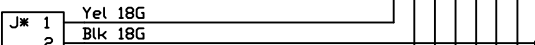
STANDARD SCREED
RIGHT CONNECTOR



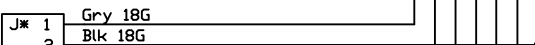
DT06-2S
R Extension Retract



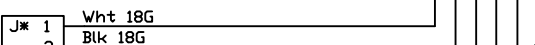
DT06-2S
R Extension Extend



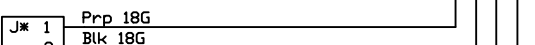
DT06-2S
R Match Height Down



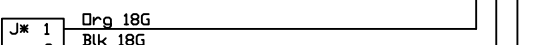
DT06-2S
R Match Height Up



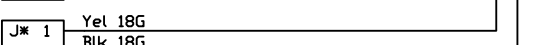
DT06-2S
L Match Height Down



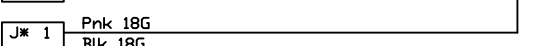
DT06-2S
L Match Height Up



DT06-2S
L Extension Retract



DT06-2S
L Extension Retract



Tan 18G
Blk 18G



Gry 18G
Blk 18G



Blu/Wht 18G
Blk 18G



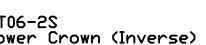
Blu 18G
Blk 18G



Lt Blu 18G
Blk 18G



Lt Grn 18G
Blk 18G



MAULDIN®
Paving Products

DRAWN:	CJF	10/9/20
EFFECTIVE IN SN:		10/9/20
EFFECTIVE OUT SN:		
CAD_FILE:	EL 1860-01.dwg	10/9/20

TITLE:		Tier IV Cummins QSB 3.8 Paver	
DRAWING NO:		EL 1860 - 01	REVISION NO: R2
			SHEET: 16 OF: 16