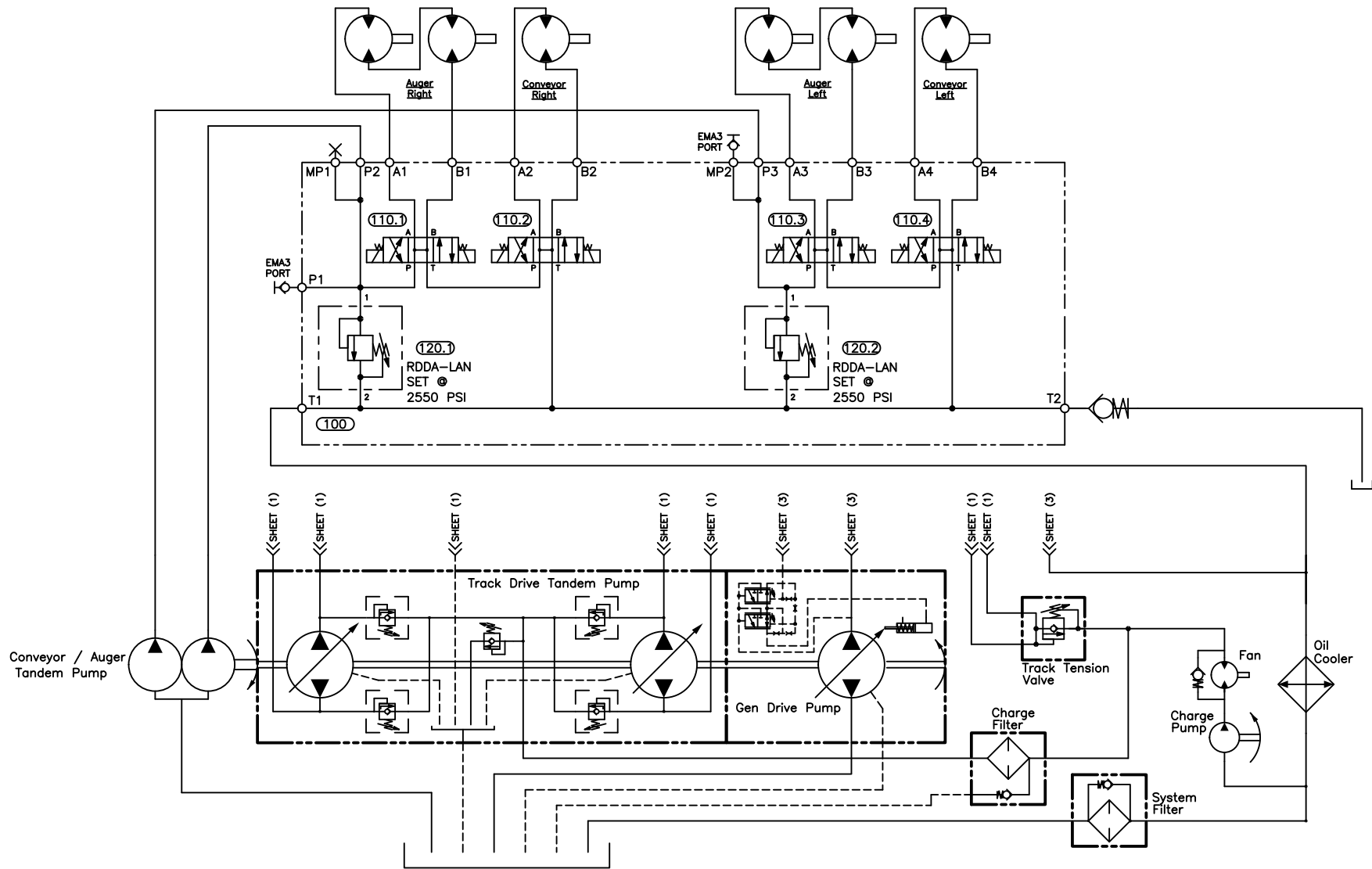


1860 TRACK DRIVE CIRCUIT



DRAWN:	CJF	04/11/2019
EFFECTIVE IN SN:	874-S-86TCX5Y2-03874	
EFFECTIVE OUT SN:		
CAD_FILE:	HY 1860 - 01 R00.dwg	04/11/2019

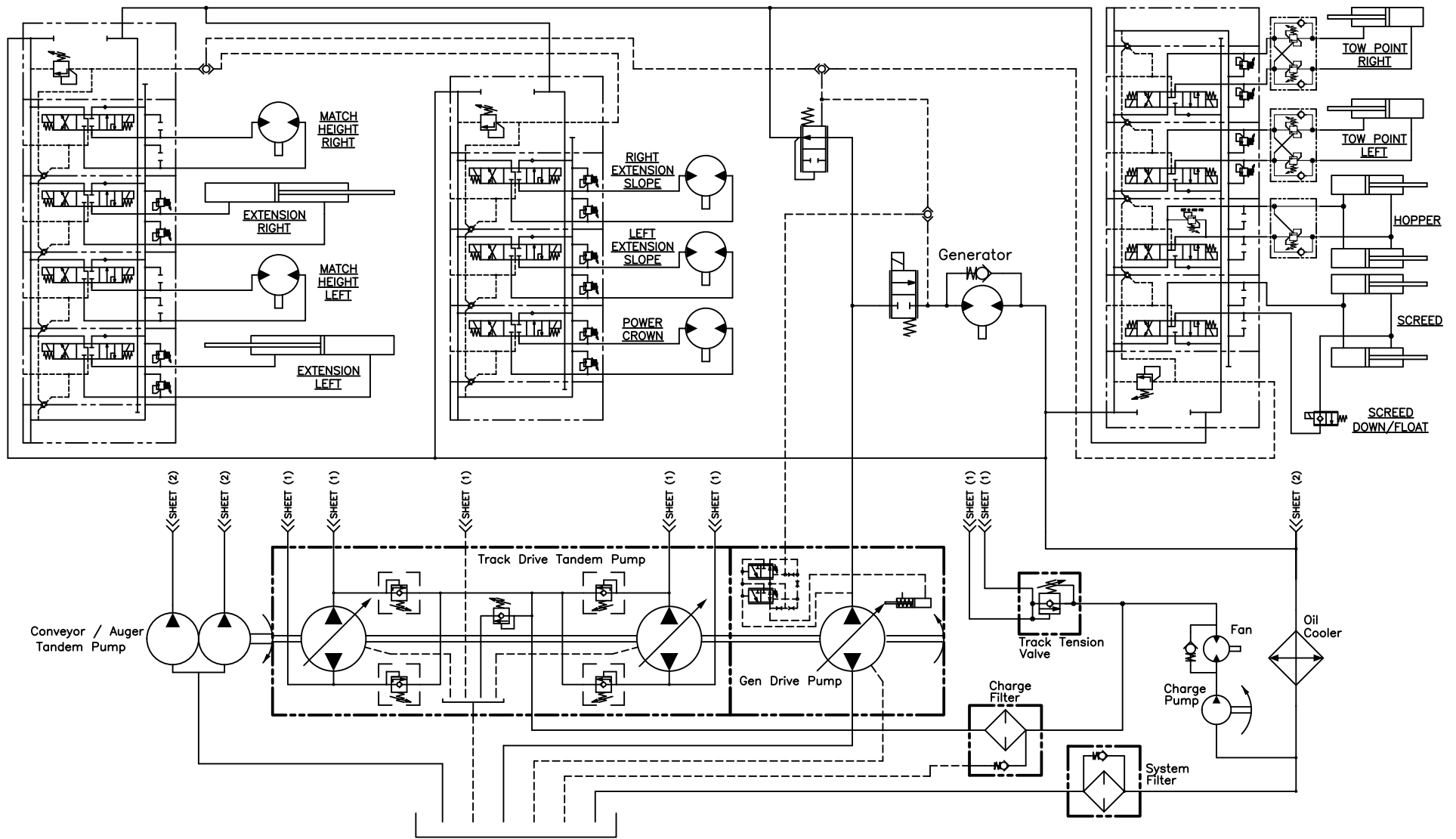
TITLE:	HYDRAULIC 1860	
DRAWING NO:	HY 1860 - 01	REVISION NO: 00
		SHEET: 1 OF: 3



1860 FEED SYSTEM CIRCUIT



DRAWN: CJF	04/11/2019	TITLE: HYDRAULIC 1860	REVISION NO: 00
EFFECTIVE IN SN: 874-S-86TCX5Y2-03874		DRAWING NO: HY 1860 - 01	SHEET: 2 OF: 3
EFFECTIVE OUT SN:			
CAD_FILE: HY 1860 -01 R00.dwg	04/11/2019		



1860 CYLINDER HYDRAULIC CIRCUIT



DRAWN: CJF	04/11/2019	TITLE: HYDRAULIC 1860	REVISION NO: 00
EFFECTIVE IN SN: 874-S-86TCX5Y2-03874		DRAWING NO: HY 1860 - 01	SHEET: 3 OF: 3
EFFECTIVE OUT SN:			
CAD_FILE: HY 1860 - 01 R00.dwg	04/11/2019		