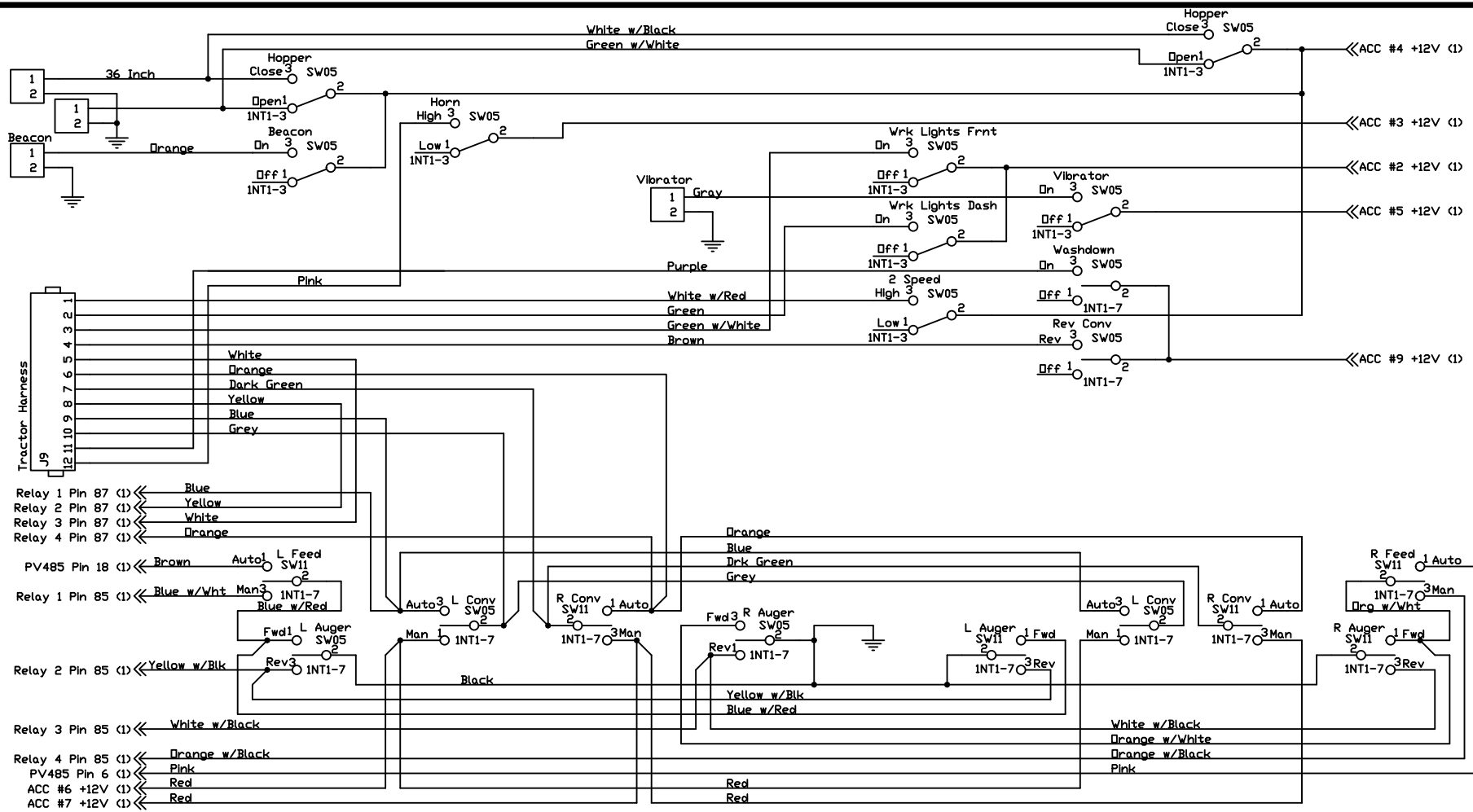


MAULDIN
Paving Products

DRAWN:	DMC	10/18/18
EFFECTIVE IN SN:		12/18/20
EFFECTIVE OUT SN:		
CAD_FILE:	EL 1560-01.dwg	06/17/20

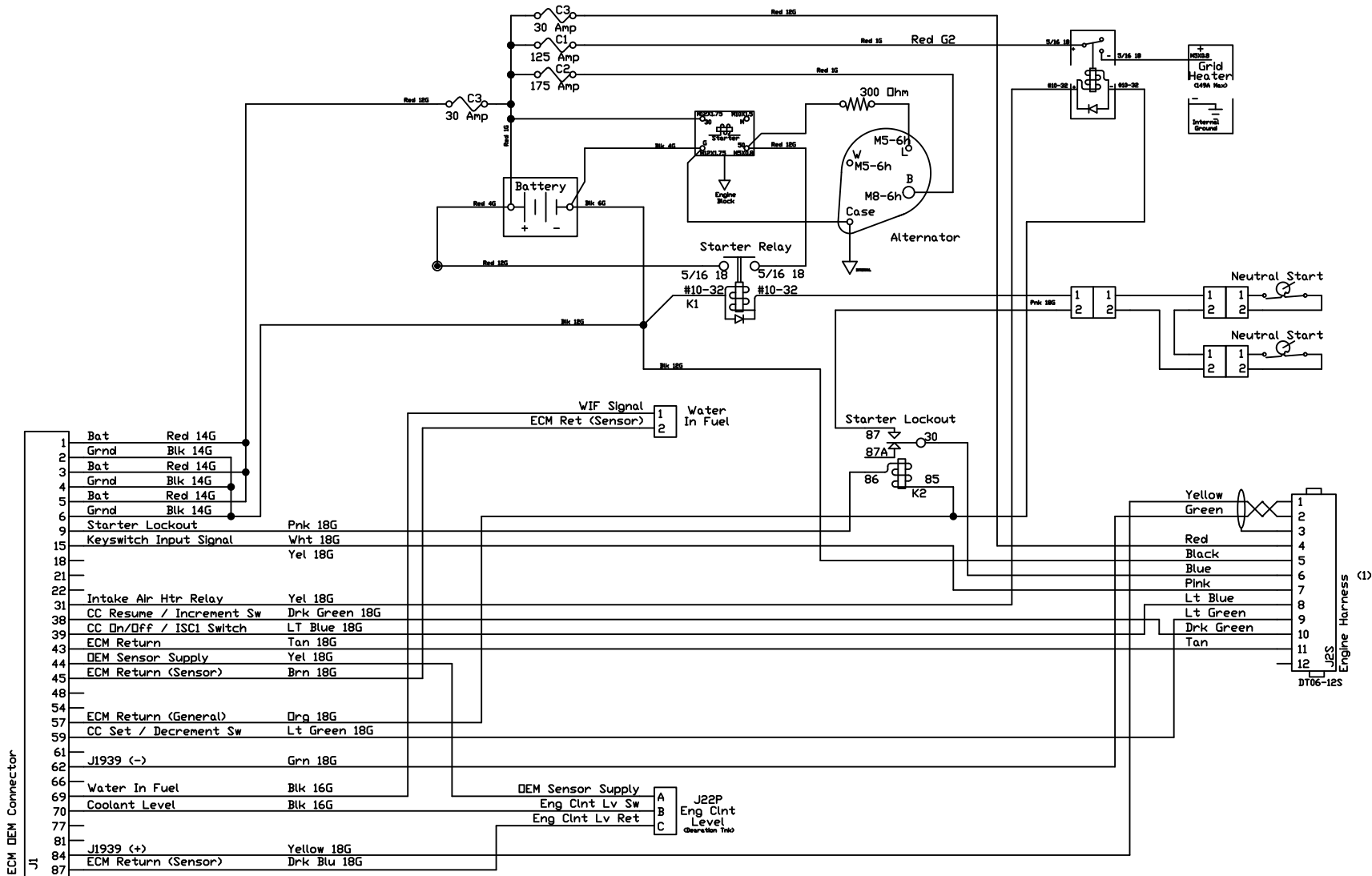
TITLE:	1560 Paver w/Cummins QSB 2.8 Tier IV	
DRAWING NO:	EL 1560 - 01	
REVISION NO:	03	
SHEET:	1 OF 4	



MAULDIN
Paving Products

DRAWN:	DMC	10/18/18
EFFECTIVE IN SN:		12/18/20
EFFECTIVE OUT SN:		
CAD_FILE:	EL 1560-01.dwg	06/17/20

TITLE:	1560 Paver w/Cummins QSB 2.8 Tier IV	
DRAWING NO:	EL 1560 - 01	
REVISION NO:	03	
SHEET:	2 OF 4	



ECM DEM Connector

- 1 Bat Red 14G
- 2 Grnd Blk 14G
- 3 Bat Red 14G
- 4 Grnd Blk 14G
- 5 Bat Red 14G
- 6 Grnd Blk 14G
- 9 Starter Lockout Pnk 18G
- 15 Keyswitch Input Signal Wht 18G
- 18
- 21
- 22
- 31 Intake Air Htr Relay Yel 18G
- 38 CC Resume / Increment Sw Drk Green 18G
- 39 CC Dn/DFF / ISCI Switch Lt Blue 18G
- 43 ECM Return Tan 18G
- 44 DEM Sensor Supply Yel 18G
- 45 ECM Return (Sensor) Brn 18G
- 48
- 54 ECM Return (General) Drg 18G
- 57 CC Set / Decrement Sw Lt Green 18G
- 59
- 61 J1939 (-) Grn 18G
- 62
- 66 Water In Fuel Blk 16G
- 69 Coolant Level Blk 16G
- 70
- 77
- 81 J1939 (+) Yellow 18G
- 84 ECM Return (Sensor) Drk Blu 18G
- 87

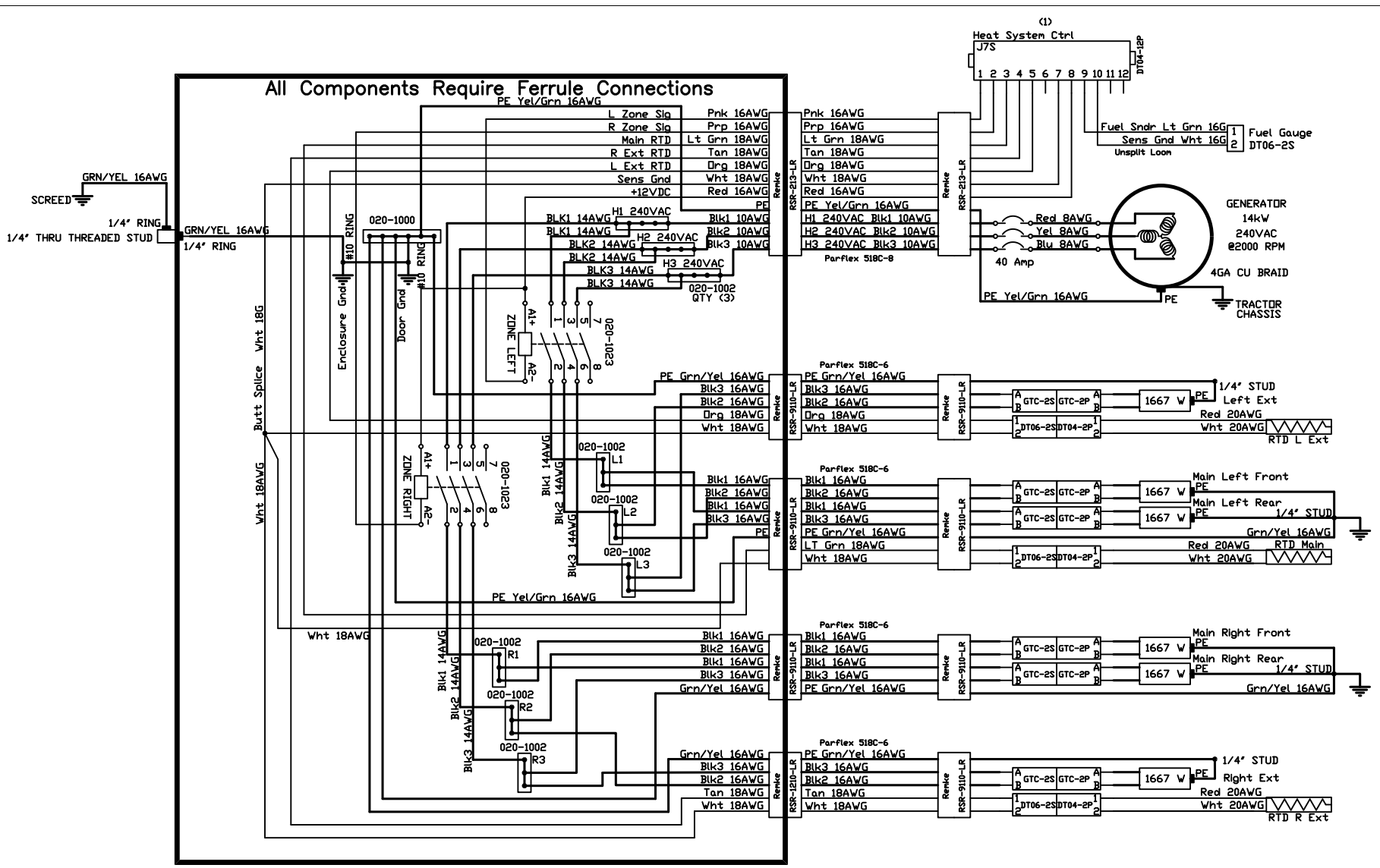
- A J22P Eng Clnt Level Generation Trip
- B
- C



MAULDIN®
Paving Products

DRAWN:	DMC	10/18/18
EFFECTIVE IN SN:		06/18/20
EFFECTIVE OUT SN:		
CAD_FILE:	EL 1560-01.dwg	06/17/20

TITLE:	1560 Paver w/Cummins QSB 2.8 Tier IV	
DRAWING NO:	EL 1560 - 01	REVISION NO: 03
		SHEET: 3 OF: 4



DRAWN:	CJF	10/14/20
EFFECTIVE IN SN:		12/18/20
EFFECTIVE OUT SN:		
CAD_FILE:	EL 1560-01.dwg	10/14/20

TITLE:	1560 Paver w/Cummins QSB 2.8 Tier IV	
DRAWING NO:	EL 1560 - 01	
REVISION NO:	03	
SHEET:	4	OF: 4