



**Parts Manual**

**Model: 1560**

**Covers Serial Number Range:**

**848-S-56TCG9Y2\*03848 through 409-U-56TCG9Y2-04409**

**Sold & Serviced By:**

**This Page Left Blank Intentionally**

## Contents

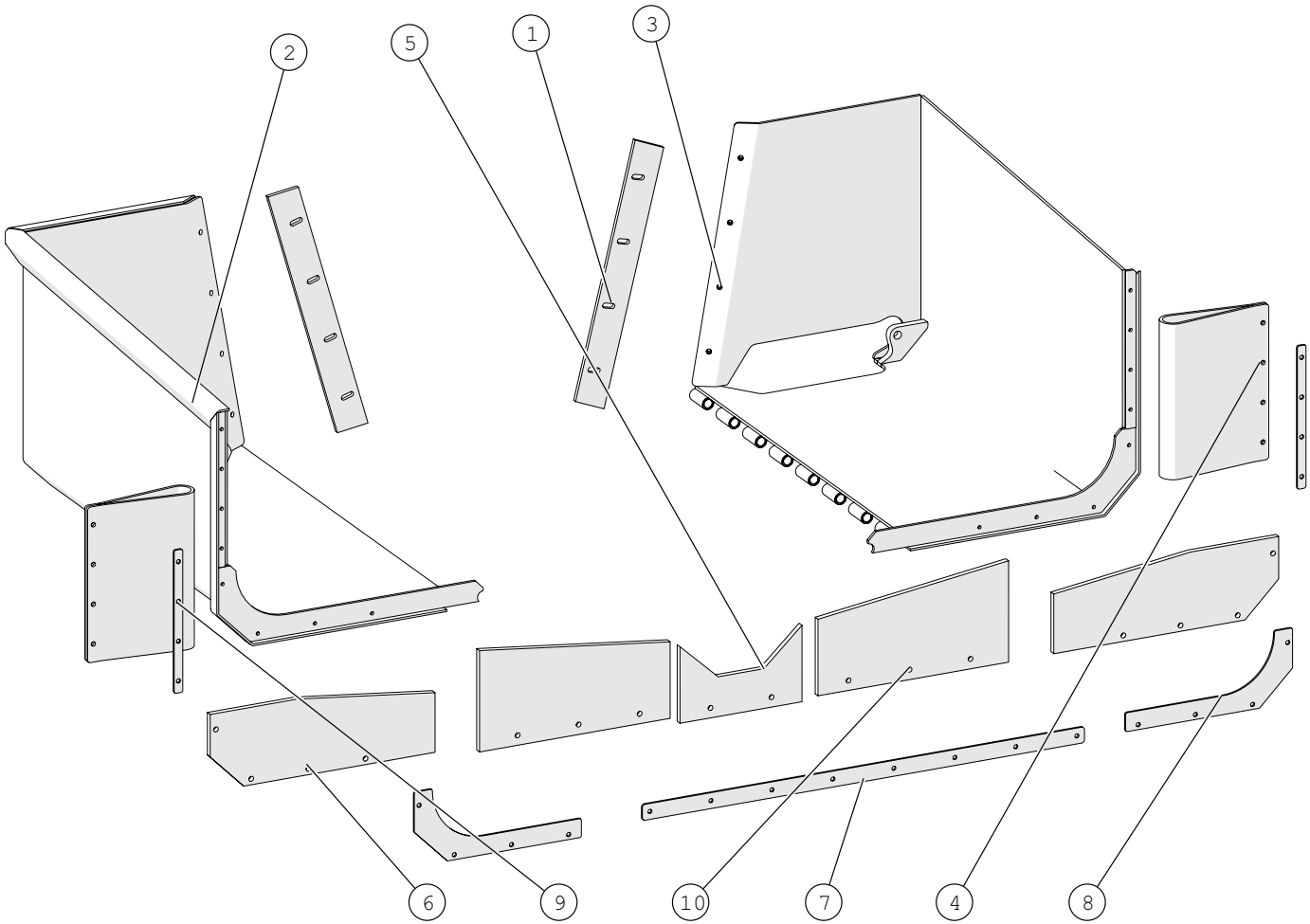
Quick Order List .....	5
Hopper and Front Plastics.....	6
Push Beam Assembly .....	8
Sight Gauge Assembly .....	10
Engine Compartment .....	12
Hood Assembly .....	14
Dash Left Hand Controls .....	16
Dash Right Hand Controls.....	18
Dash Steering Controls.....	20
Engine Assembly.....	22
Engine Cooling Assembly .....	24
Hydraulic Oil Tank .....	26
Fuel Tank.....	28
Wash Down Tank .....	30
Flight Chain Deck .....	32
Flight Chain Idler Components .....	34
Flight Chain Drive Components.....	36
Left Drive Track Assembly.....	38
Right Drive Track Assembly .....	40
Screed Arms .....	42
Depth Adjustment Handles.....	44
Match Height Adjustment Handle .....	46
Main Screed Top Assembly .....	48
Screed Bottom Assembly .....	50
LH Screed Sub Assembly .....	52
LH Screed Sub Assembly .....	53

<b>RH Screed Sub Assembly</b> .....	<b>54</b>
<b>RH Screed Sub Assembly</b> .....	<b>55</b>
<b>Screed Heat Control Box</b> .....	<b>56</b>
<b>Upper Auger Assembly</b> .....	<b>58</b>
<b>Left Extension Assembly</b> .....	<b>60</b>
<b>Right Extension Assembly</b> .....	<b>62</b>
<b>Left End Gate Assembly</b> .....	<b>64</b>
<b>Right End Gate Assembly</b> .....	<b>66</b>
<b>Electrical Schematic</b> .....	<b>69</b>
<b>Hydraulic Schematics</b> .....	<b>73</b>

**Quick Order List**

BOM ID	Part Number	Description	Quantity
1	112-302080	Auger Bearing Support Assembly	4
2	015-0045	Auger Coupling Chain	4
3	015-0154	Auger Coupling Half	4
4	092-0014	Auger, Lower (LH)	1
5	092-0013	Auger, Lower (RH)	1
6	112-200541	Auger, Upper (LH)	1
7	112-200540	Auger, Upper (RH)	1
8	050-0648	Cable, Steering	2
9	050-0522	Cap (Fuel Tank)	1
10	050-0522	Cap (Wash Down Tank)	1
11	093-0406	Conveyor Chain	2
12	015-0258	Conveyor Chain Bar	24
13	015-0259	Conveyor Chain Rivet	48
14	024-0230	Decal Kit	1
15	021-0240	Filter, Air Main	1
16	021-0241	Filter, Air Pre-Cleaner	1
17	021-0242	Filter, Engine Oil	1
18	021-0246	Filter, Fuel	1
19	021-0169	Filter, Hydraulic Oil	2
20	093-408756	Plastic, Hopper Outer	2
21	093-408620	Plastic, Hopper Inner	2
22	093-408622	Plastic, Front Center	1
23	093-408838	Plastic, Hopper Scraper	2
24	091-100776	Push Roller	2
25	020-0213	Screed Heat Strip	2
26	020-0548	Screed Temp Sensor	1
27	112-209308	Screed Plate	1
28	112-209330	Extension Wear Plate	2
29	050-0361	Spray Nozzle	2

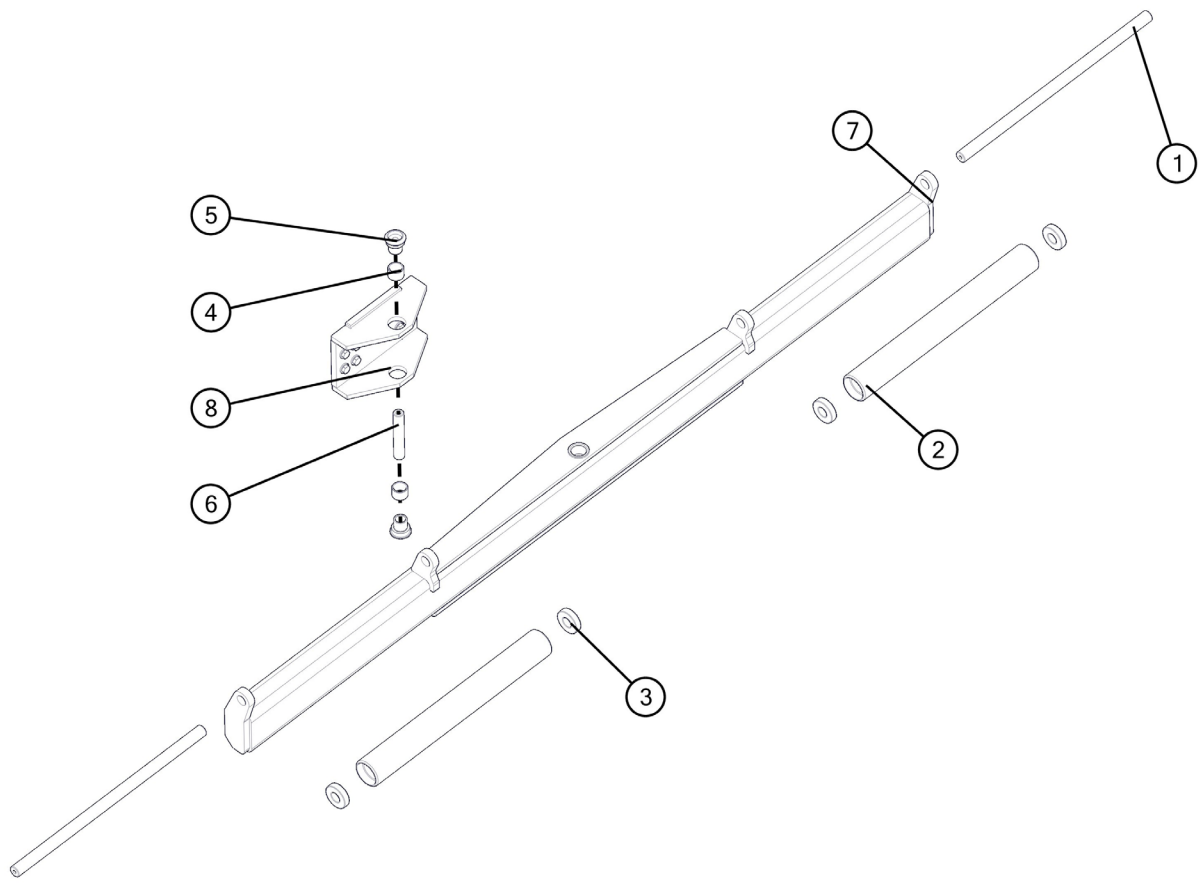
### Hopper and Front Plastics



**Hopper and Front Plastics**

BOM ID	Part Number	Description	Qty
1	093-408838	HOPPER REAR PLASTIC WIPER	2
2	092-204400	HOPPER WELDMENT RH	1
3	092-204401	HOPPER WELDMENT LH	1
4	093-408756	HOPPER SIDE FLAPS	2
5	093-408621	HOPPER PLASTIC	1
6	093-408758	HOPPER FRONT SIDE PLASTIC	2
7	093-100748	HOPPER PLASTIC PANEL MOUNTING STRIP	1
8	093-408832	RETAINER FRONT SIDE LOWER PLASTIC	2
9	093-408830	RETAINER HOPPER SIDE RUBBER FLAP	2
10	093-408620	HOPPER PLASTIC FRONT SIDE	2

### Push Beam Assembly

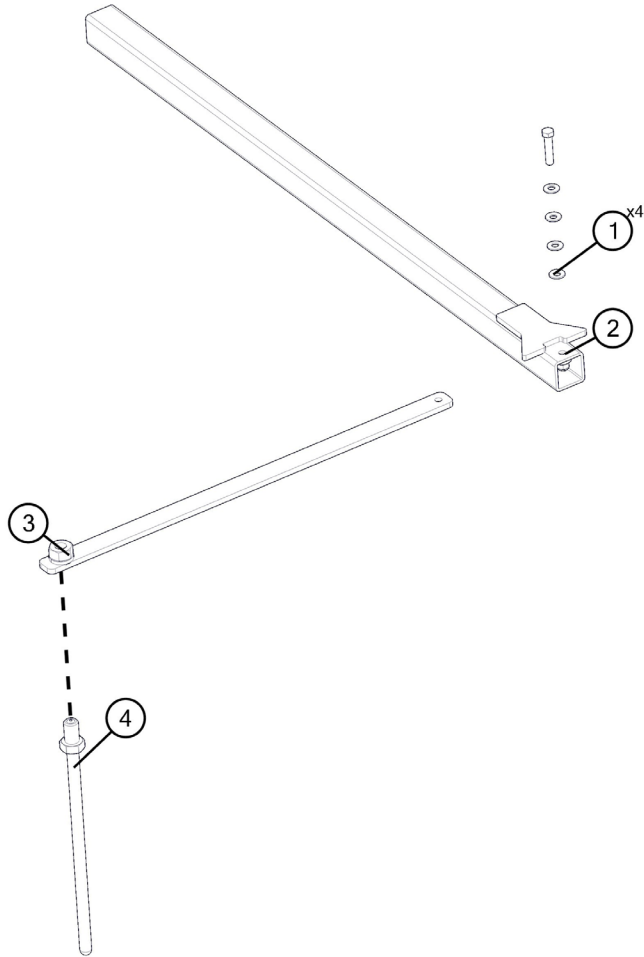




**Push Beam Assembly**

BOM ID	PART NUMBER	DESCRIPTION	Qty
1	093-100778	PUSH ROLLER AXLE	2
2	093-100776	TRUCK PUSH ROLLER	2
3	018-0010	BEARING PUSH ROLLER	4
4	018-622681	BRONZE BUSHING	2
5	093-104308	PUSH BEAM PIVOT PIN	2
6	093-104306	PUSH BEAM PIVOT PIN	1
7	092-100512	OSCILLATING PUSH BEAM WELDEMENT	1
8	092-408574	PUSH BEAM CARRIER WELDMENT	1

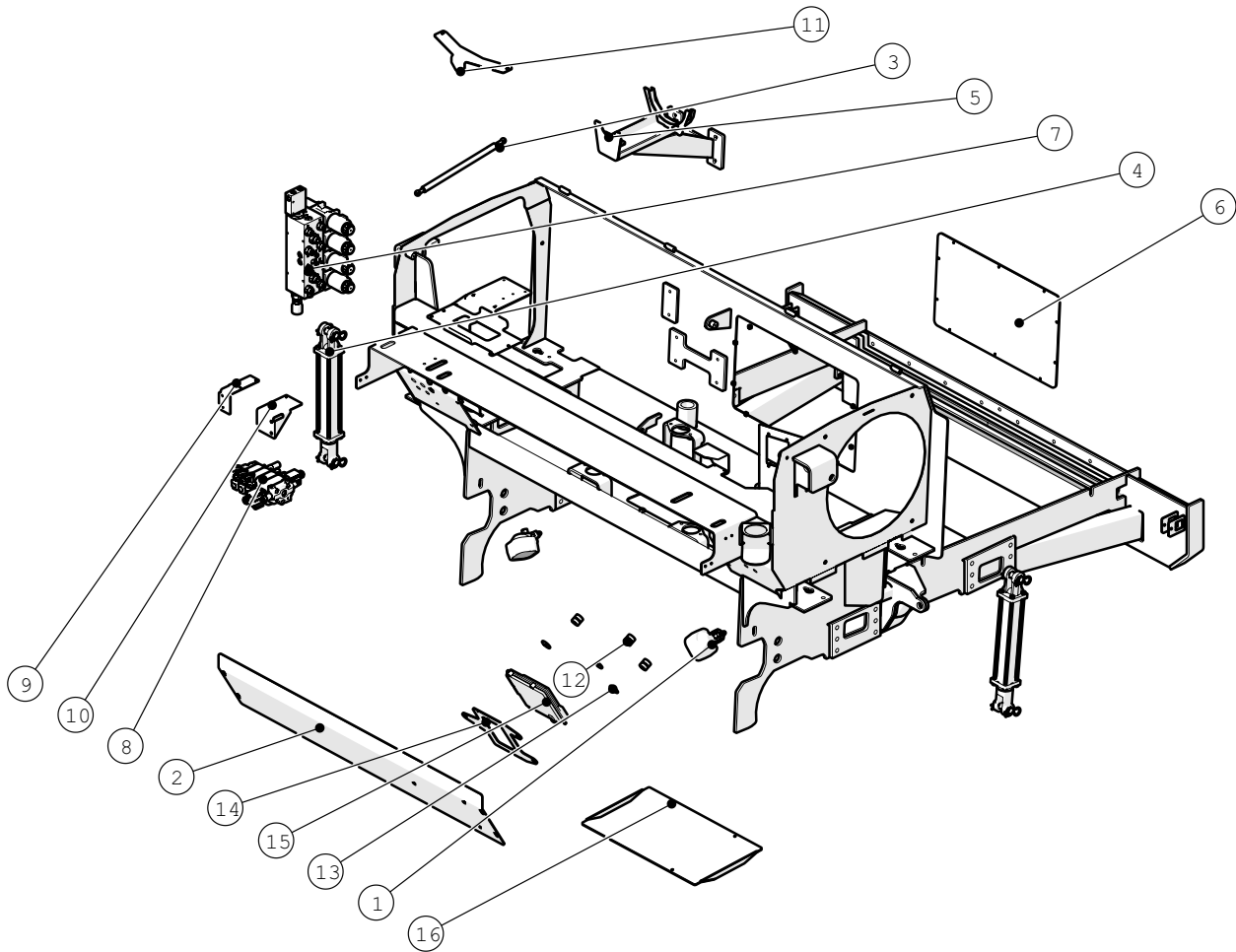
### Sight Gauge Assembly



**Sight Gauge Assembly**

BOM ID	PART NUMBER	DESCRIPTION	Qty
1	030-0580	BELLEVILLE DISC SPRING	4
2	092-204634	SIGHT GUIDE SLIDE TUBE WELDMENT	1
3	093-204628	SIGHT GUIDE EXTENSION BAR	1
4	091-204632	SIGHT GUIDE POST SUB-ASSEMBLY	1

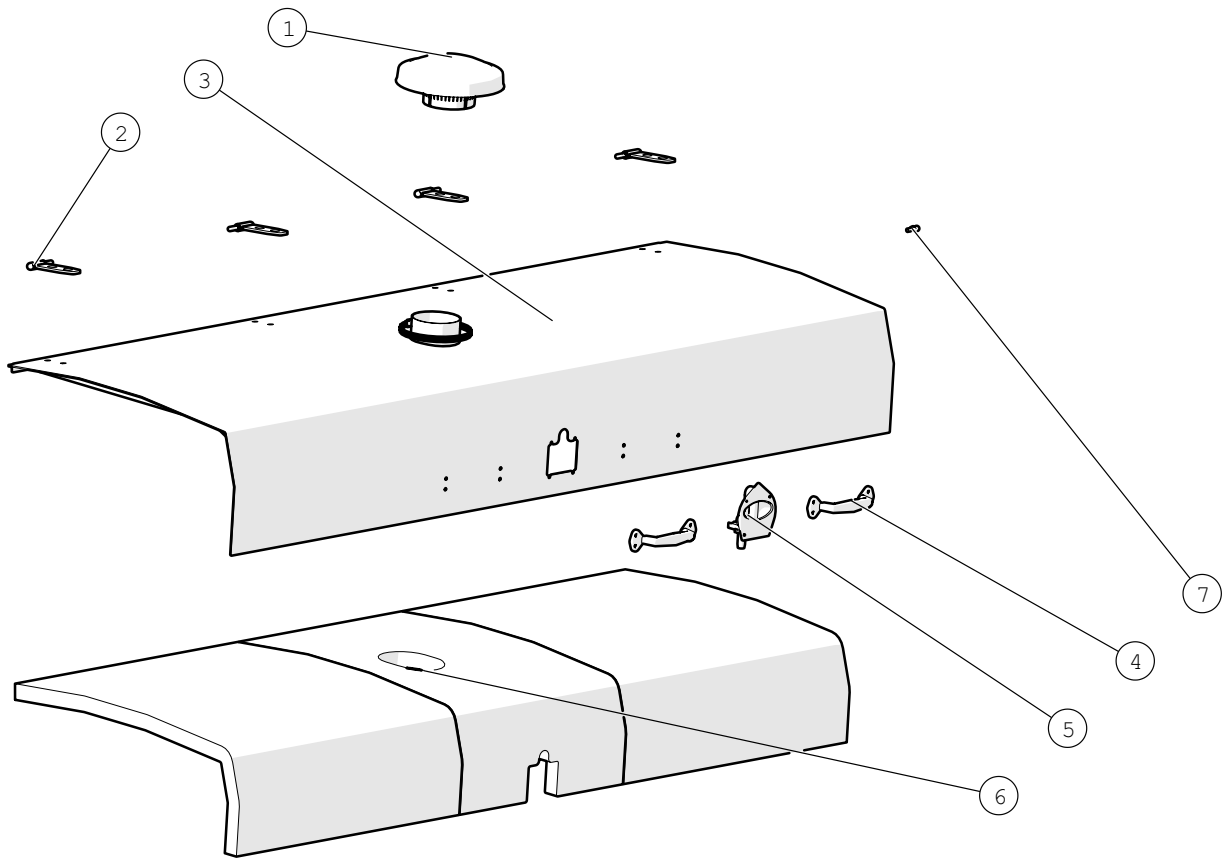
### Engine Compartment



**Engine Compartment**

BOM ID	PART NUMBER	DESCRIPTION	Qty
1	020-0491	WORK LIGHT 12V	2
2	093-207054	REAR PANEL	1
3	050-0881	STRUT HOOD	1
4	012-0065	CYLINDER SCREED HEIGHT	2
5	092-207180	CATALYTIC CONVERTOR BRACKET WELDMENT	1
6	093-207094	FRONT COVER PLATE	1
7	017-0155	4 STATION MANIFOLD	1
8	017-0283	VALVE BANK 4 STATION	1
9	093-204442	BRACKET VALVE BANK LH	1
10	093-204440	BRACKET VALVE BANK RH	1
11	093-207378	BATTERY TIE DOWN	1
12	050-0859	RUBBER ISOLATOR	3
13	050-0860	WASHER	3
14	093-207107	BRACKET COMPUTER MOUNT	1
15	010-0810	ENGINE COMPUTER	1
16	092-207096	ENGINE COMPARTMENT BOTTOM AC- CESS WELDEMENT	1

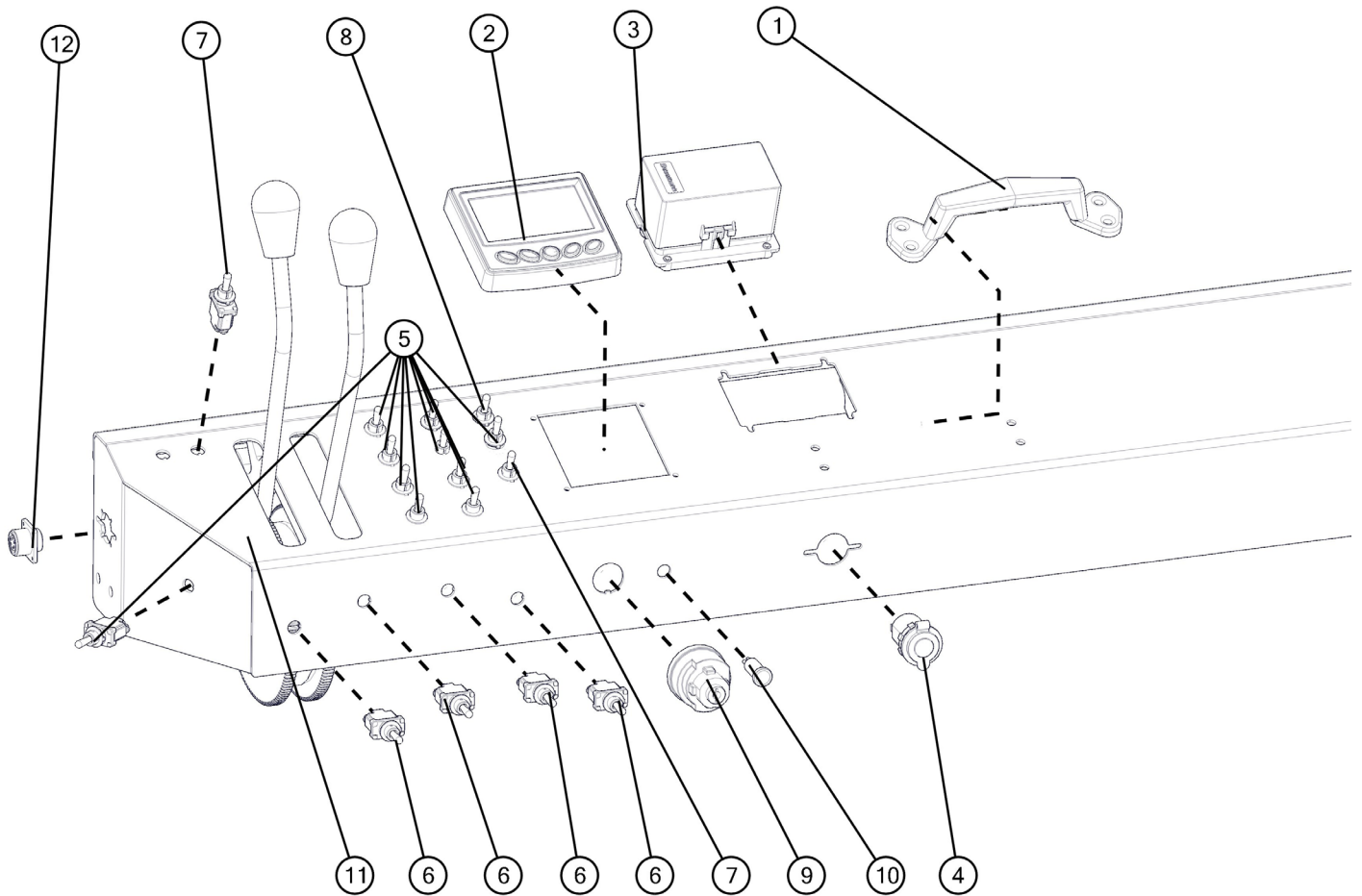
### Hood Assembly



**Hood Assembly**

BOM ID	Part Number	Description	Qty
1	050-0814	4.5" RAIN CAP	1
2	092-204086	HINGE	4
3	092-204080	WELDMENT HOOD	1
4	050-0205	GRAB HANDLE	2
5	050-0660	LOCKING HANDLE	1
6	027-204081	INSULATION	1
7	050-0659	MOUNTING BALL STUD	2

### Dash Left Hand Controls

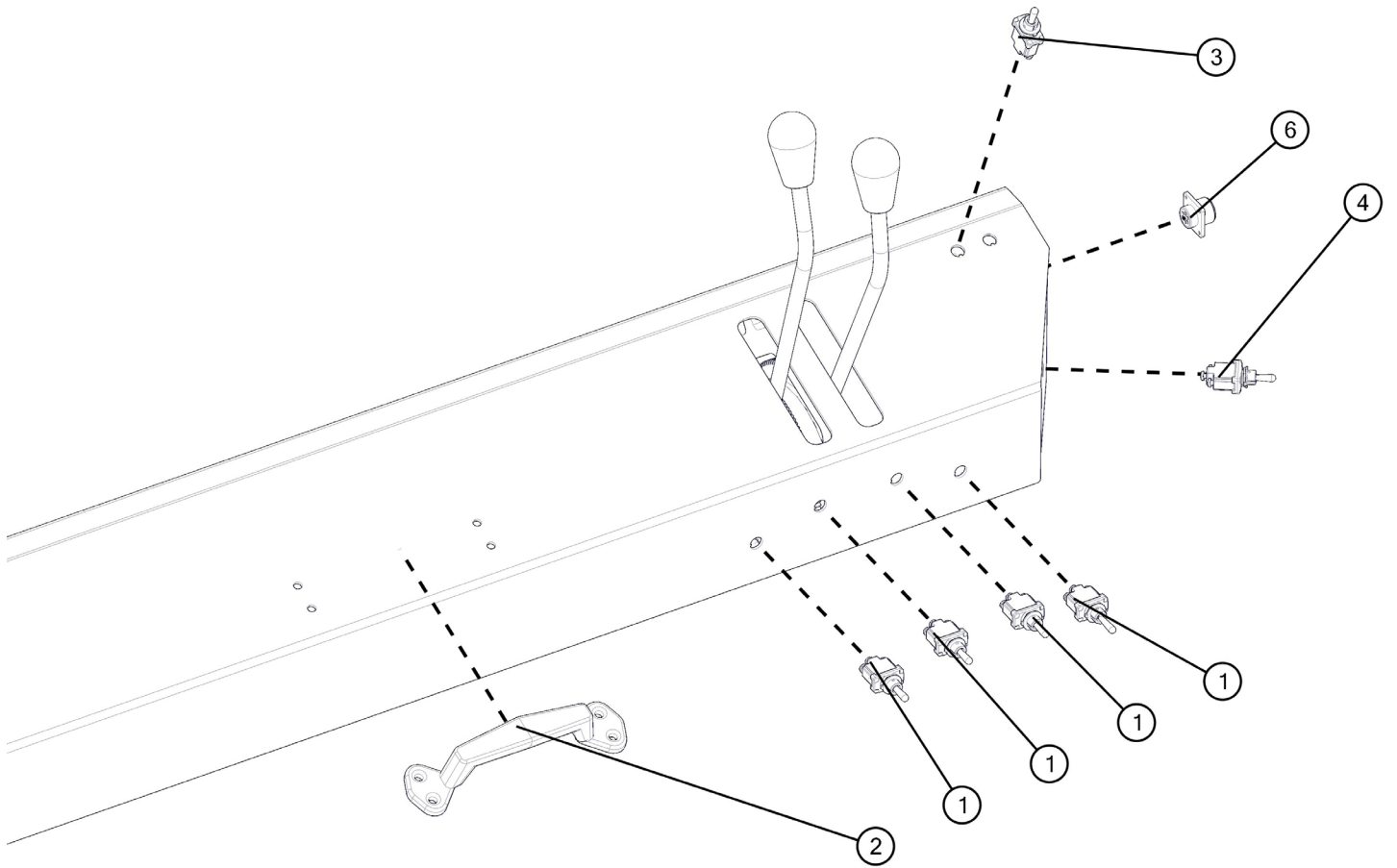




**Dash Left Hand Controls**

BOM ID	PART NUMBER	DESCRIPTION	Qty
1	050-0205	CHROME GRAB HANDLE	1
2	020-0905	DISPLAY	1
3	020-0476	RELAY FUSE HOLDER	1
3.1	020-0480	CIRCUIT BREAKER 20A	10
3.2	020-0481	RELAY MICRO 12V	4
4	020-0467	12 VDC ACCESSORY OUTLET	1
5	020-0405	SWITCH MULTIPLE	10
6	020-0083	SWITCH FEED CONTROLS	4
7	020-0395	SWITCH HOPPER	2
8	020-0423	SWITCH HORN	1
9	020-0156	IGNITION KEY ASSEMBLY, MAULDIN	1
10	020-0140	RED INDICATOR LIGHT	1
11	092-207400	OPERATOR DASH PANEL WELDEMENT	1
12	050-0372	SONIC SENSOR RECEPTACLE	1

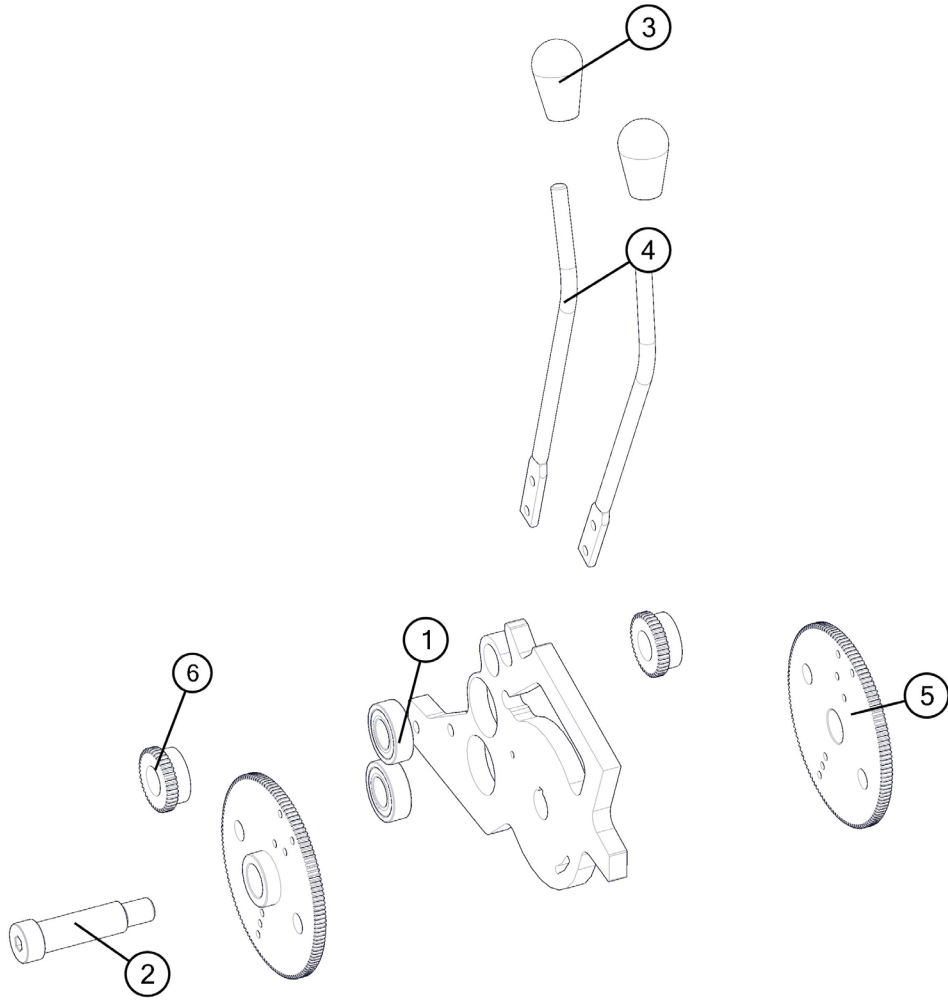
### Dash Right Hand Controls



**Dash Right Hand Controls**

BOM ID	PART NUMBER	DESCRIPTION	Qty
1	020-0083	SWITCH FEED CONTROLS	4
2	050-0205	CHROME GRAB HANDLE	1
3	020-0395	SWITCH HOPPER	1
4	020-0405	SWITCH AUTO AUGER	1
6	050-0372	SONIC SENSOR RECEPTACLE	1

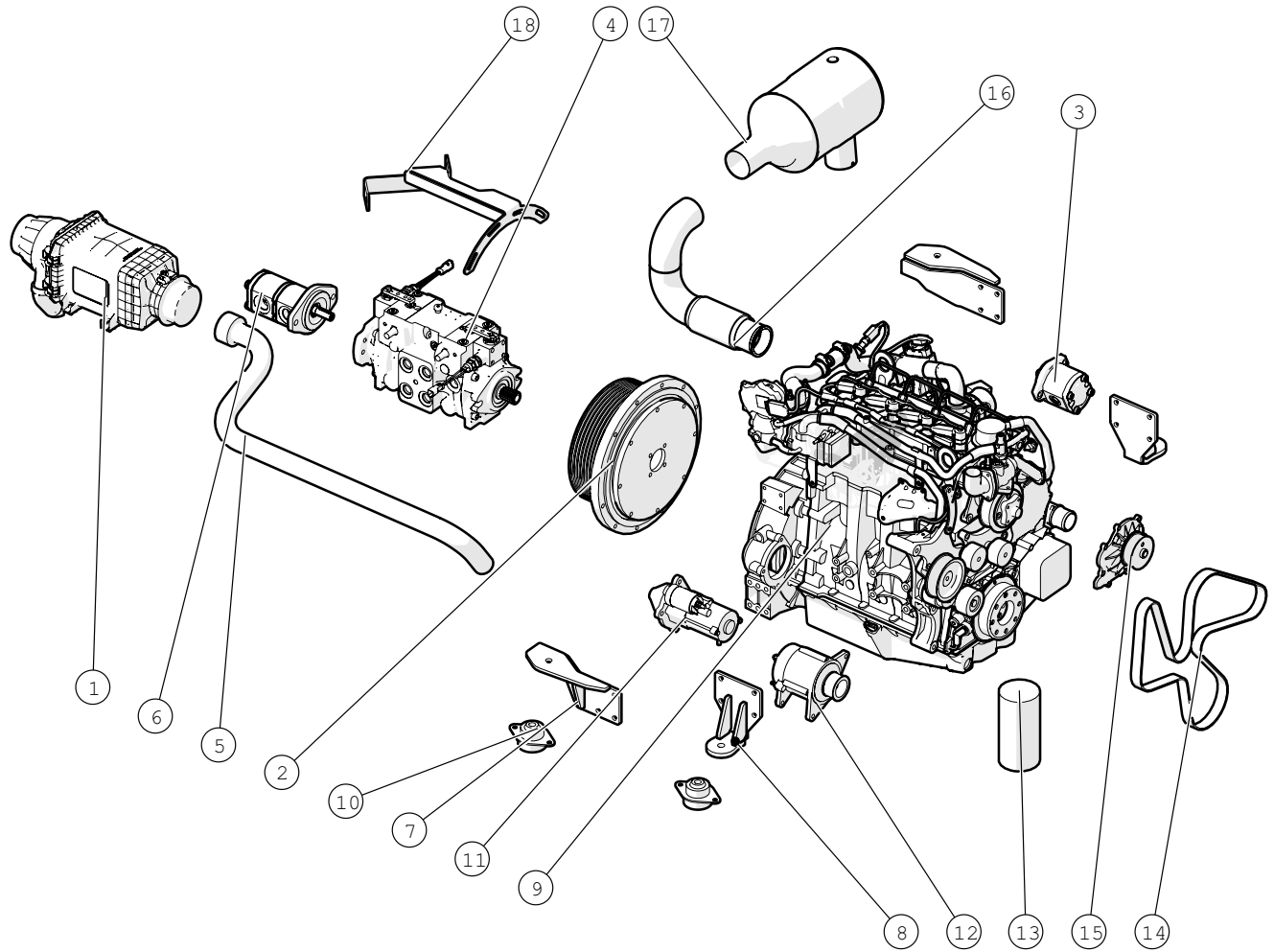
### Dash Steering Controls



### Dash Steering Controls

BOM ID	PART NUMBER	DESCRIPTION	Qty
1	018-0011	DASH STEERING SHAFT BEARING	2
2	030-0473	STEERING SHOULDER BOLT	1
3	050-0388	ROD END PLASTIC HANDLE	2
4	093-0318	STEERING LEVER	2
5	093-100074	PAVER STEERING GEAR	2
6	093-100075	PTFE GEAR, 40 TOOTH	2
6.1	030-0476	ROLL PIN 3/16TH x 2IN	2

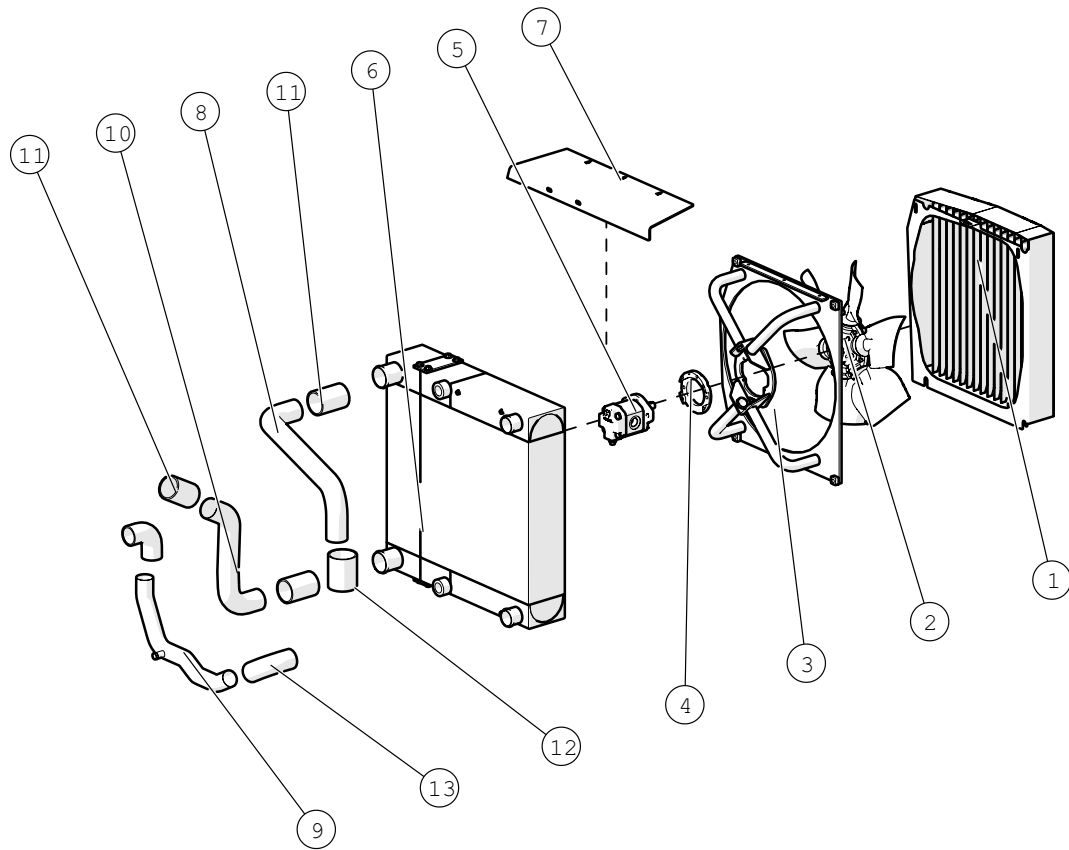
### Engine Assembly



**Engine Assembly**

BOM ID	PART NUMBER	DESCRIPTION	Qty
1	010-0803	AIR CLEANER ASSEMBLY	1
2	020-0877	GENERATOR	1
3	011-0152B	GEAR PUMP HYDRAULIC	1
4	011-0268	TANDEM DRIVE PUMP	1
5	093-207007	AIR INTAKE PIPE	1
6	011-0269	PUMP HYDRAULIC TANDEM	1
7	092-207040	ENGINE MOUNT WELDEMENT REAR RIGHT	1
8	092-207030	ENGINE MOUNT WELDEMENT FRONT	2
9	092-207041	ENGINE MOUNT WELDEMENT REAR LEFT	1
10	050-0789	RUBBER ISOLATOR	4
11	010-0804	STARTER	1
12	010-0805	ALTERNATOR	1
13	021-0242	OIL FILTER	1
14	010-0806	BELT ENGINE	1
15	010-0807	WATER PUMP	1
16	093-207005	EXHAUST DOWNPIPE	1
17	010-0808	EXHAUST DOC	1
18	092-207104	MUFFLER MOUNT WELDEMENT	1
19	021-0240	FILTER AIR PRIMARY	1
20	021-0241	FILTER AIR SECONDARY	1
(Not Shown)	020-207100	WIRING HARNESS ENGINE	1

### Engine Cooling Assembly

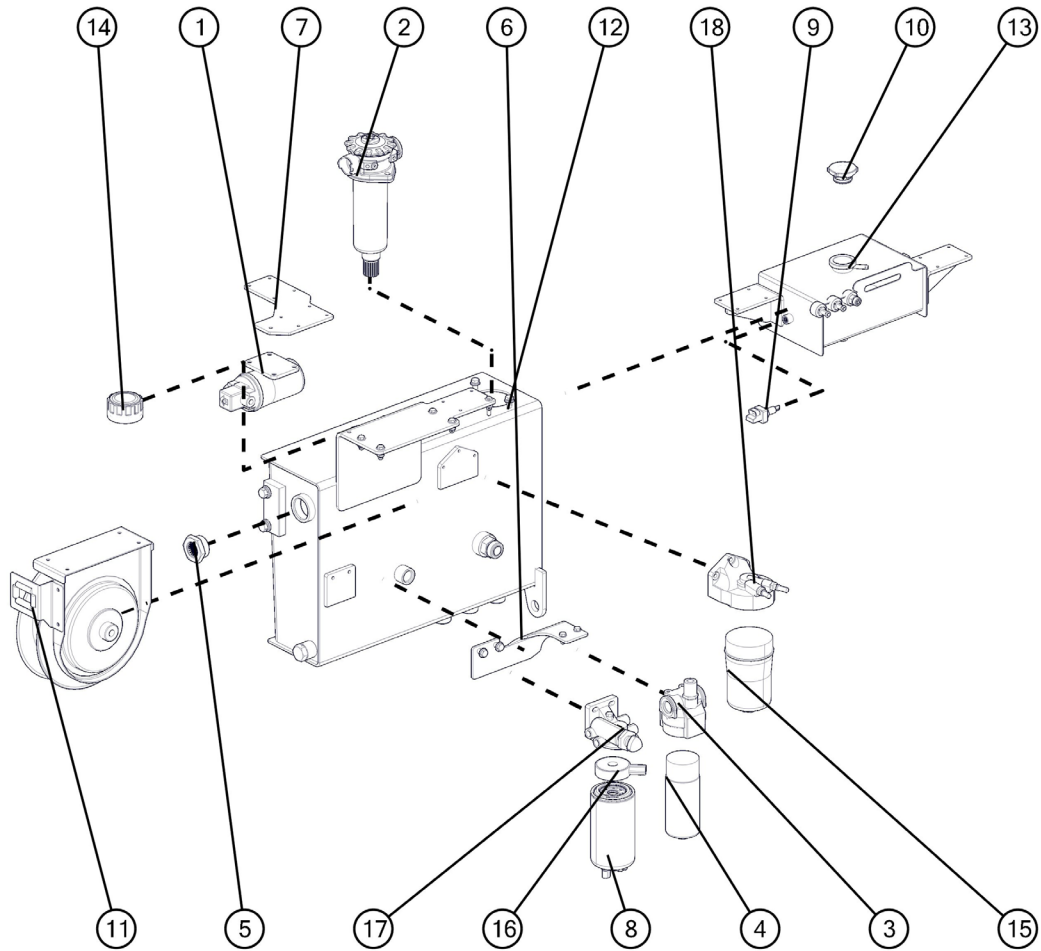




**Engine Cooling Assembly**

BOM ID	PART NUMBER	DESCRIPTION	Qty
1	092-207110	COOLER FAN LOUVER WELDEMENT	1
2	050-204004	FANY ASSEMBLY	1
3	092-207330	COOLER FAN BRACKET WELDEMENT	1
4	093-408336	MOUNT FAN MOTOR	1
5	013-0103	MOTOR FAN	1
6	050-204000	COOLER ASSEMBLY	1
7	093-207338	FAN SHROUD TOP PANEL	1
8	093-207001	CHARGE PIPE HOT SIDE	1
9	093-207004	COOLANT PIPE LOWER	1
10	093-207002	CHARGE PIPE COLD SIDE	1
11	010-0618	COUPLER SILICONE 2.5in	3
12	010-0619	COUPLER REDUCING 2.5in to 3in	1
13	014-0483	COUPLER 2in 90degree	2

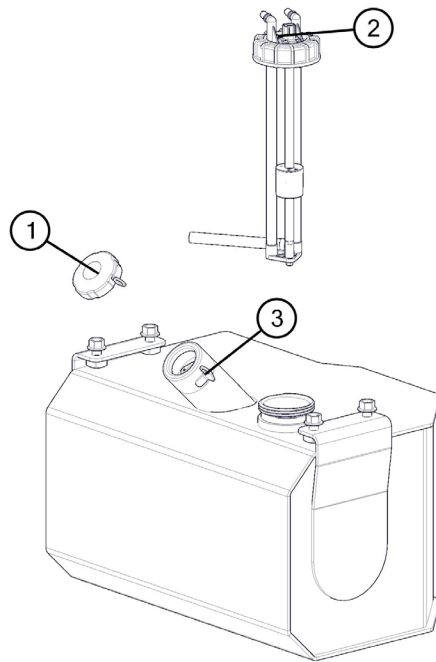
### Hydraulic Oil Tank



**Hydraulic Oil Tank**

BOM ID	Part Number	Description	Qty
1	011-0231	WASH DOWN FLUID PUMP	1
2	021-0238	IN TANK FILTER ASSEMBLY	1
2.1 (Not shown)	021-0238-1	GASKET IN TANK	1
2.2(Not Shown)	021-0239	FILTER ELEMENT REPLACEMENT IN TANK	1
3	021-0250	FILTER HEAD HYDRAULIC	1
4	021-0251	HYDRUALIC OIL FILTER	1
5	060-0066	SIGHT GLASS	1
6	093-207128	FUEL & OIL FILTER MOUNT	1
7	093-204158	WASH DOWN PUMP TANK MOUNTING BRACKET	1
8	021-0248	FILTER FUEL WATER SEP	1
9	020-0832	SWITCH COOLANT LEVEL	1
10	010-0574	RADIATOR COOLANT TANK CAP	1
11	050-0344	HOSE REEL	1
12	092-207126	HYDRAULIC TANK WELDMENT	1
13	092-207360	DEAERATION TANK ASSEMBLY	1
14	060-0069	TANK CAP	1
15	021-0246	FILTER FUEL	1
15.1 (Not Shown)	021-0264-1	O-RING FUEL FILTER	1
16	021-0250-1	FUEL HEATER	1
17	021-0250	FILTER HEAT FUEL WATER SEP	1
18	021-0249	HEAD FILTER FUEL	1

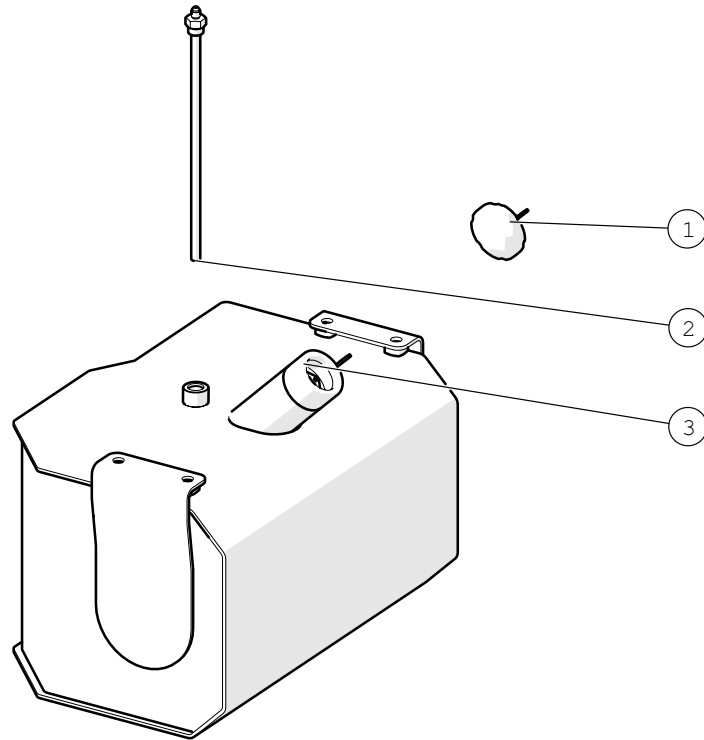
### Fuel Tank



**Fuel Tank**

BOM ID	PART NUMBER	PART DESCRIPTION	Qty
1	050-0522	DIESEL FILL NECK CAP W/ LOCK TAB	1
2	020-0985	FUEL SENDER ASSEMBLY	1
3	092-204116	FUEL TANK WELDMENT	1

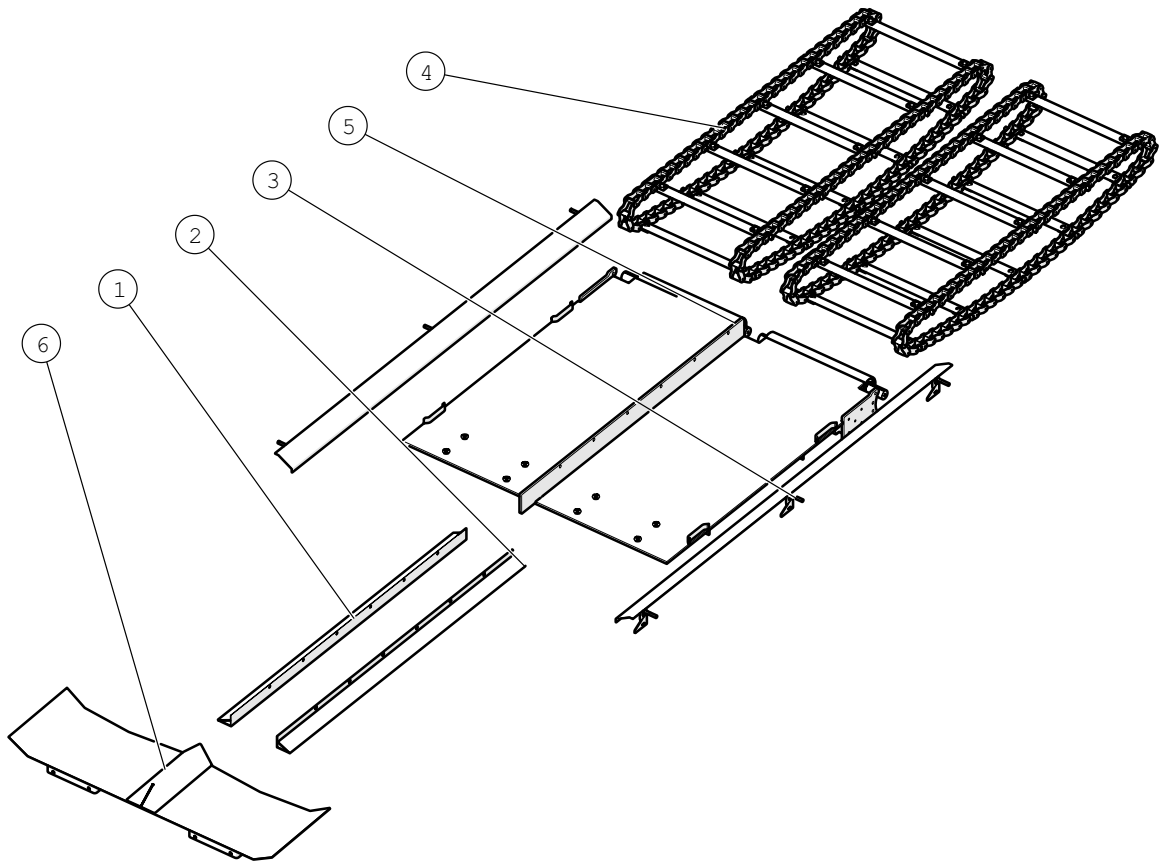
**Wash Down Tank**



**Wash Down Tank**

BOM ID	Part Number	Description	Qty
1	050-0522	Cap Wash Down Locking	1
2	092-202300	Wash Down Pick up Tube	1
3	092-204116	Wash Down Tank	1

### Flight Chain Deck

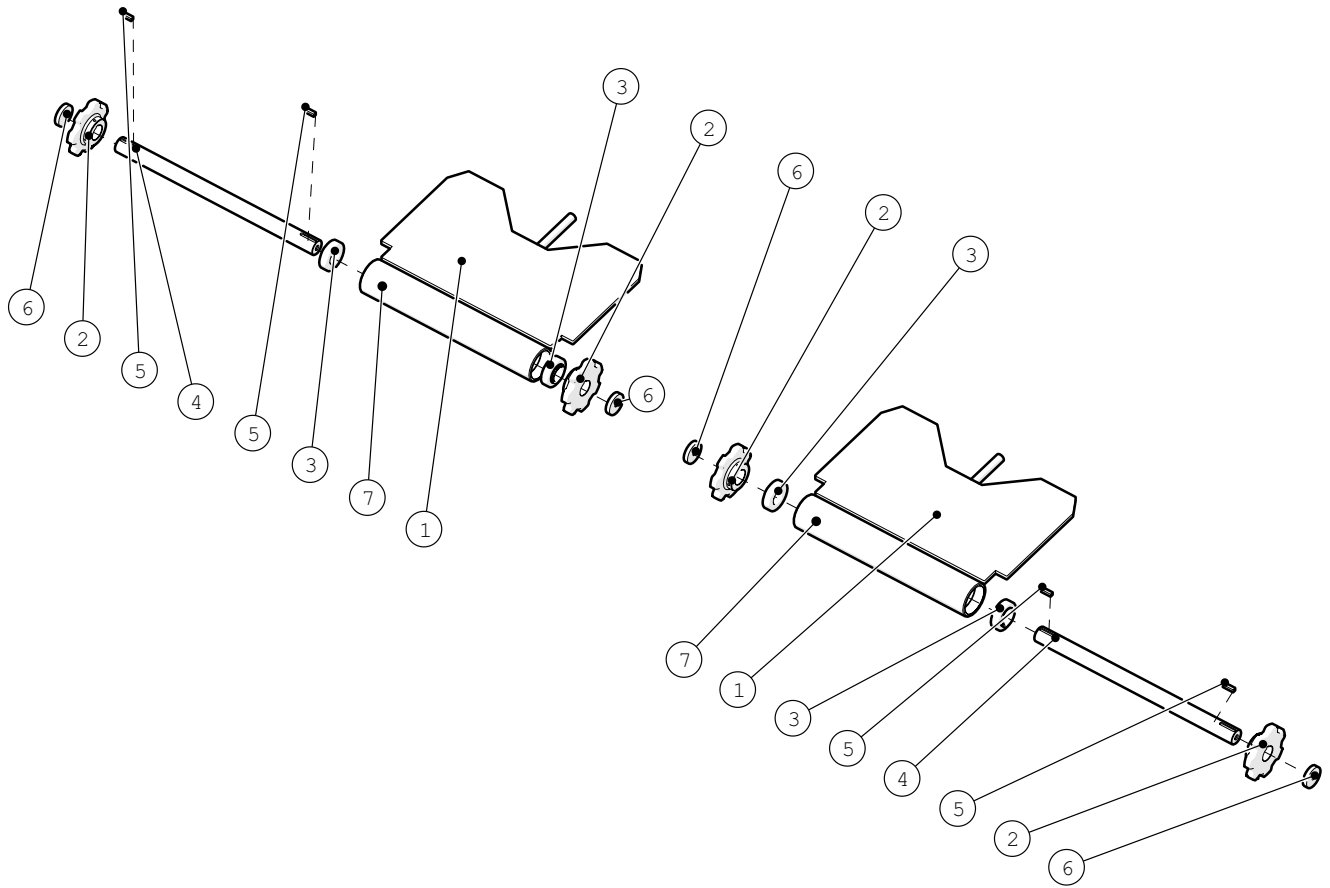




**Flight Chain Deck**

BOM ID	PART NUMBER	DESCRIPTION	Qty
1	092-109070	WELDEMENT CENTER COVER RIGHT	1
2	092-109071	WELDEMENT CENTER COVER LEFT	1
3	092-100784	WELDEMENT CONVEYOR SIDE COVER	2
4	093-0406	10 SECTION CONVEYOR CHAIN ASSEMBLY	2
5	092-204200	CONVEYOR DECK WELDEMENT	1
6	092-204650	CONVEYOR FRONT COVER WELDEMENT	1

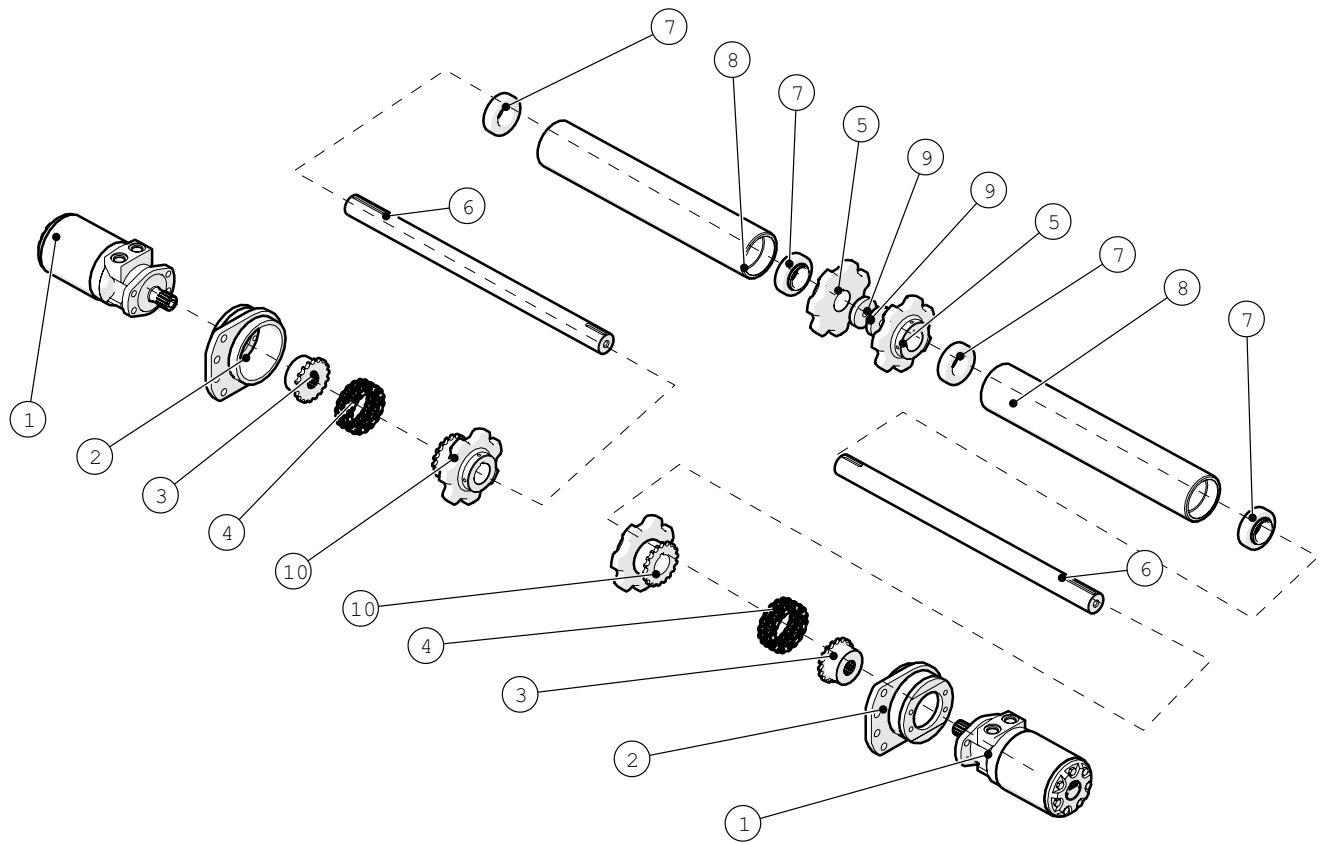
### Flight Chain Idler Components



### Flight Chain Idler Components

BOM ID	Part Number	Description	Qty
1	092-204220	Weldment Flight Chain Adjusting Plate	2
2	015-0204	Sprocket 7 tooth	4
3	018-0091	Bearing Flight Chain Tube	4
4	093-0332	Shaft Flight Chain Idler	2
5	093-0335	Key way .375in x 1.750in	4
6	093-0339	Cap Spacer Flight Chain	4
7	093-0334	Flight Chain Tube	2

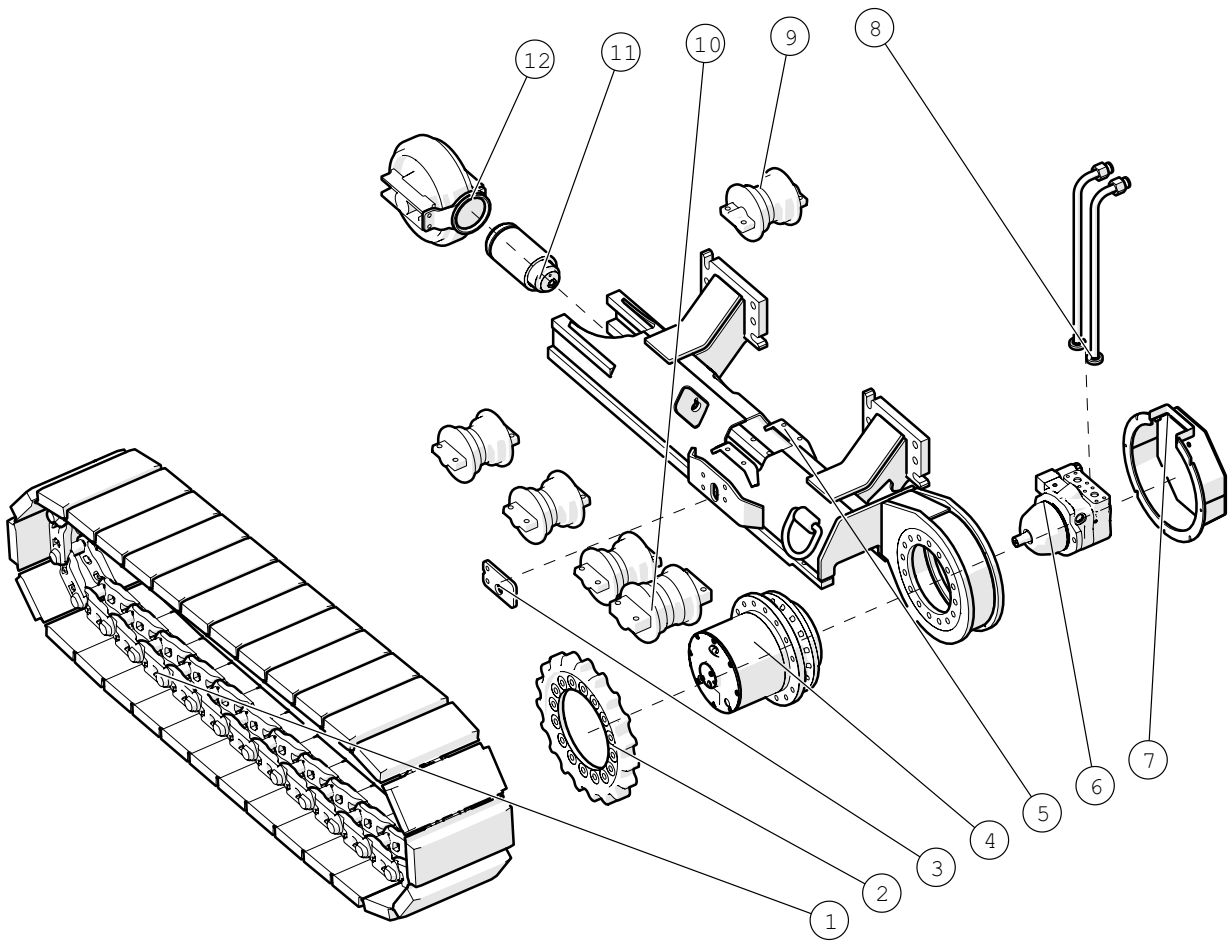
### Flight Chain Drive Components



### Flight Chain Drive Components

BOM ID	Part Number	Description	Qty
1	013-0068	Flight Chain Hydraulic Motor	2
2	092-204260	Flight Chain Motor Mount	2
3	015-0202	Coupling Sprocket	2
4	015-0046	Chain Coupling	2
5	015-0204	Sprocket 7 tooth Flight Chain	2
6	093-0332	Flight Chain Drive Shafts	2
7	018-0091	Flight Chain Bearings	4
8	093-0334	Flight Chain Tube	2
9	093-0339	Spacer End Cap	2
10	092-109254	Drive Sprocket	2

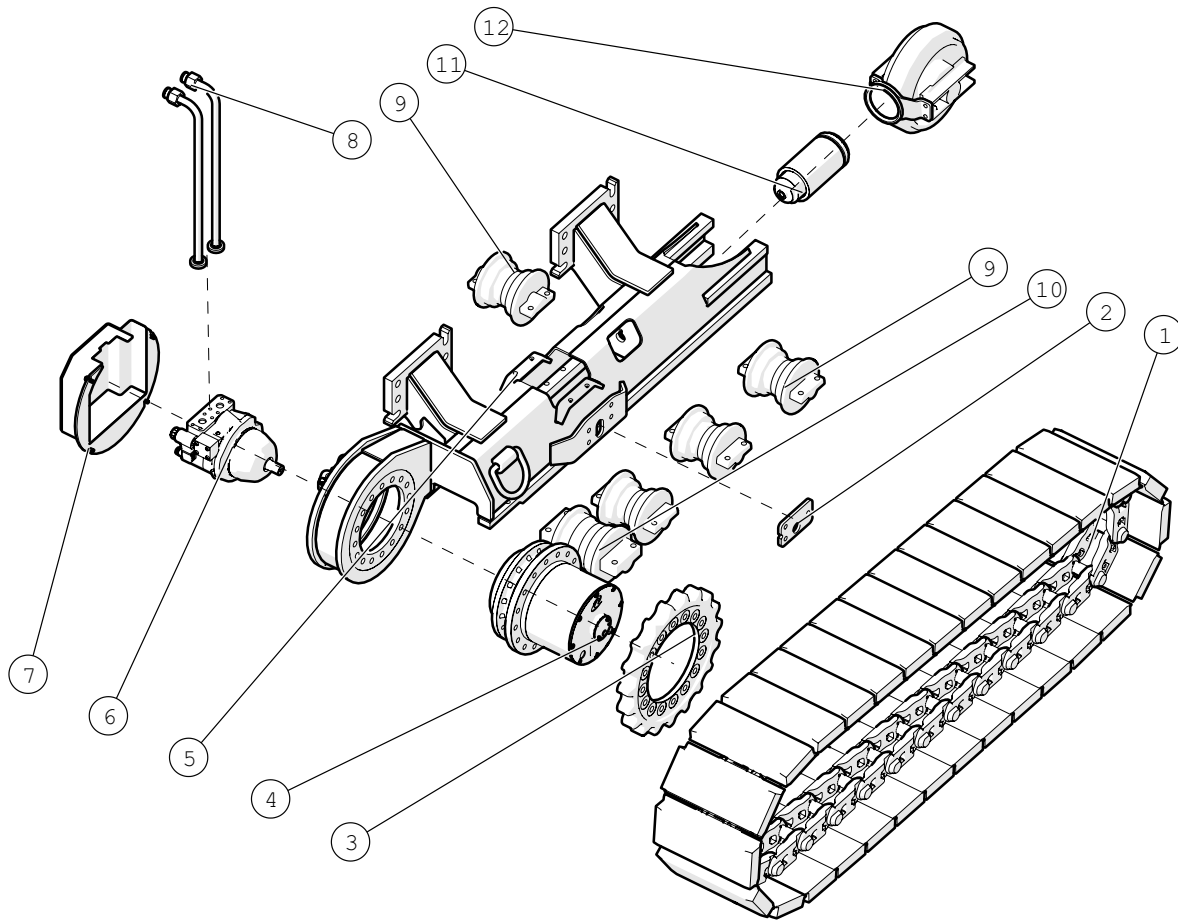
### Left Drive Track Assembly



**Left Drive Track Assembly**

BOM ID	Part Number	Description	Qty
1	050-0626EX	Poly Pad Track Chain Assembly	1
2	015-0275A	Drive Sprocket	1
3	093-204550	Screed Arm Mount Plate	1
4	016-0058	Planetary	1
5	092-204501	Undercarriage Weldment LH	1
6	011-0263	Drive Motor	1
7	092-204570	Drive Motor Cover	1
8	014-0635	Drive Motor Hydraulic Tube	2
9	050-0257	Track Roller Small	4
10	050-0163	Track Roller Large	1
11	012-0060	Track Tension Cylinder	1
12	091-204524	Track Idler	1
(Not Shown)	050-0664EX	Track Pad (Individual)	30
(Not Shown)	015-0276	Track Connecting Pin	1
(Not Shown)	030-0500	Bolt Track Pad	120
(Not Shown)	030-0501	Nut Track Pad	120

### Right Drive Track Assembly

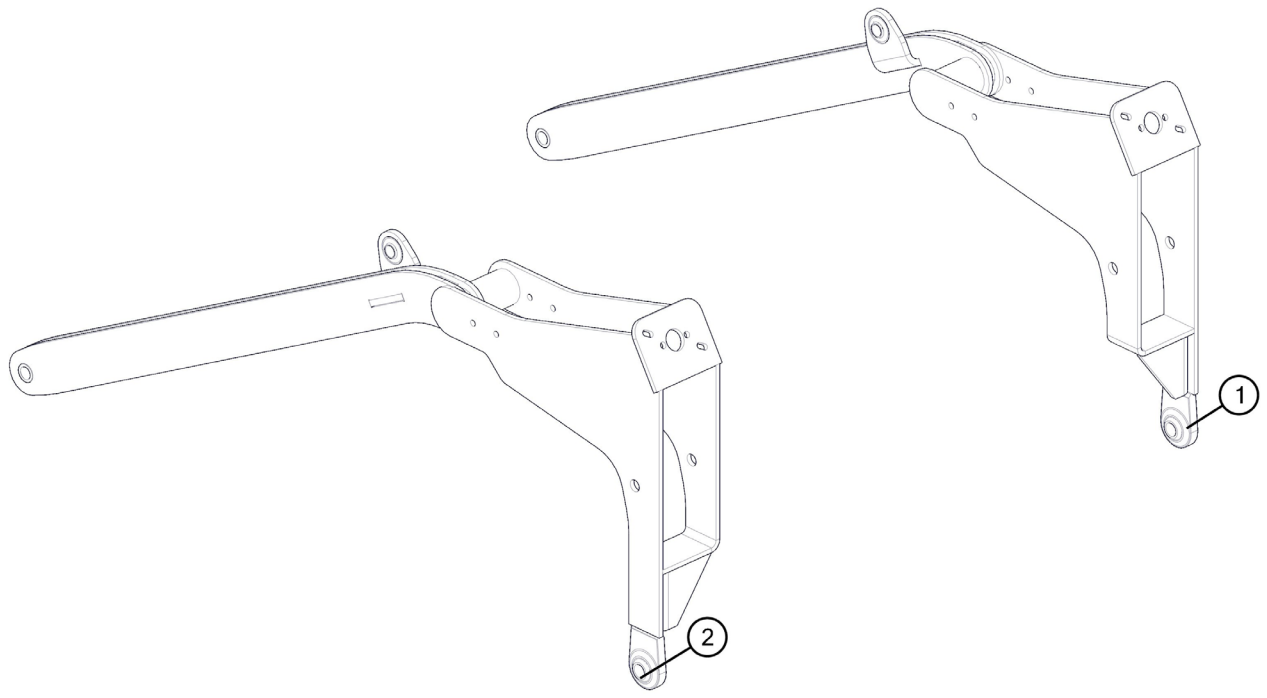




**Right Drive Track Assembly**

BOM ID	Part Number	Description	Qty
1	050-0626EX	Poly Track Assembly	1
2	093-204550	Tow Arm Mounting Plate	1
3	015-205504	Drive Sprocket	1
4	016-0058	Planetary	1
5	092-204500	Undercarriage Weldment RH	1
6	011-0263	Drive Motor	1
7	092-204176	Drive Motor Cover	1
8	014-0635	Drive Motor Hydraulic Tube	2
9	050-0257	Track Roller Small	4
10	050-0163	Track Roller Large	1
11	012-0060	Track Tension Cylinder	1
12	091-204524	Track Tension Idler	1
(Not Shown)	050-0664EX	Track Pad (Individual)	30
(Not Shown)	015-0276	Track Connecting Pin	1
(Not Shown)	030-0500	Bolt Track Pad	120
(Not Shown)	030-0501	Nut Track Pad	120

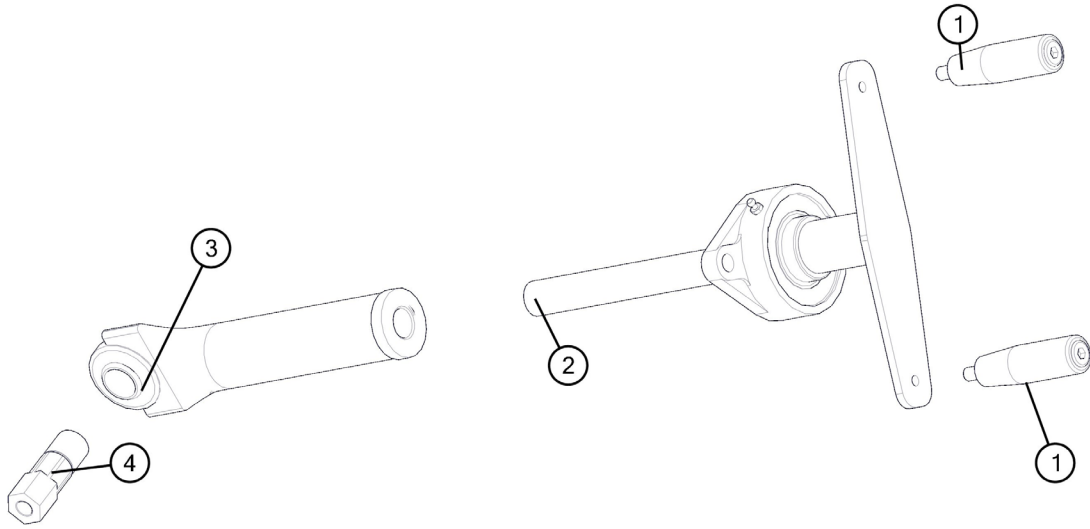
### Screed Arms



**Screed Arms**

BOM ID	Part Number	Description	Qty
1	112-209552	SCREED ARM RH	1
2	112-209553	SCREED ARM LH	1
3 (Not Shown)	012-0065	SCREED LIFT CYLINDER	2

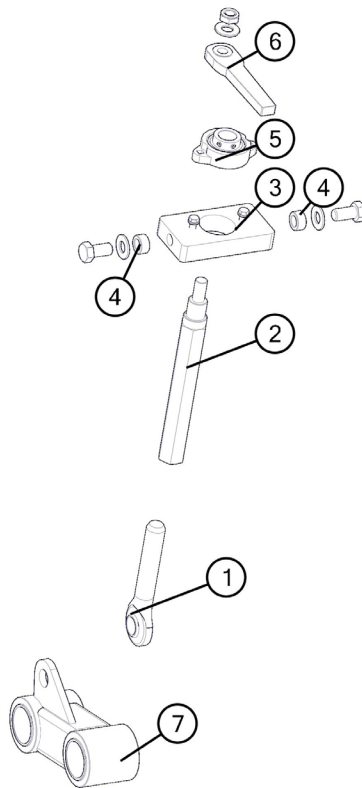
### Depth Adjustment Handles



### Depth Adjustment Handles

BOM ID	Part Number	Description	Qty
1	113-100427	HANDLE	2
2	112-200070	DEPTH ADJUSTMENT SCREW	1
3	112-209400	DEPTH ADJUSTMENT NUT	1
4	113-209404	DEPTH ADJUSTMENT PIN	1

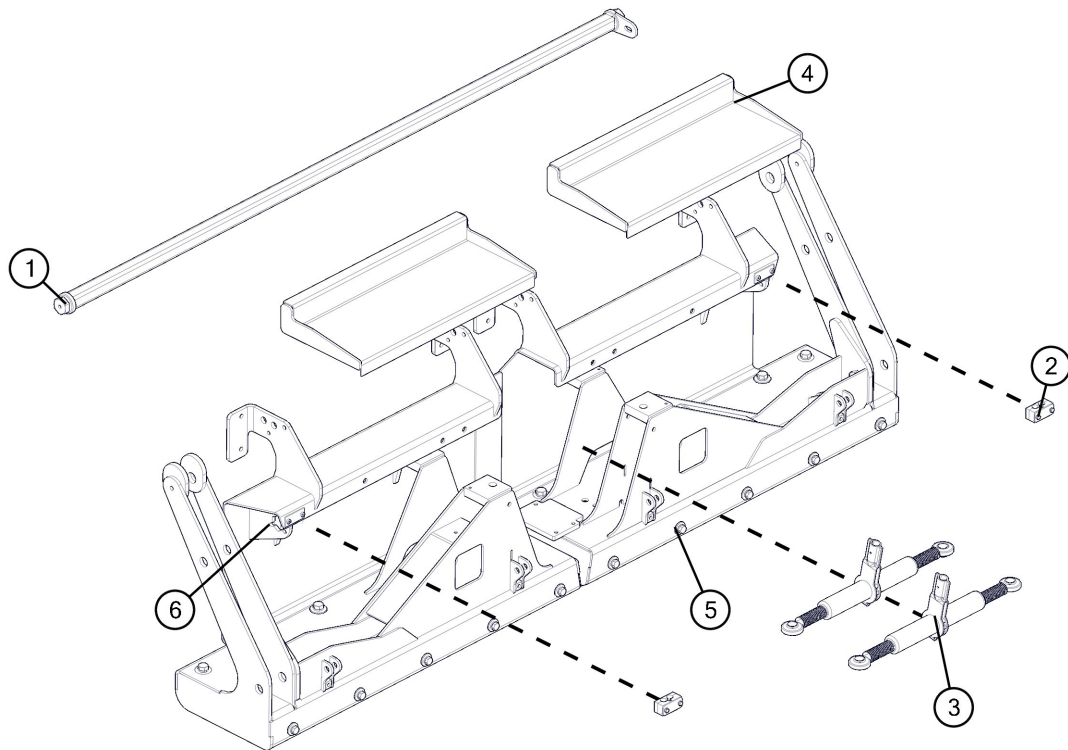
### Match Height Adjustment Handle



### Match Height Adjustment Handle

BOM ID	Part Number	Description	Qty
1	112-209582	Extension Height Adjustment Threaded	1
2	113-209182	Extension Height Hex Rod	1
3	113-209180	Extension Height Block	1
4	113-209184	Spacer	2
5	018-0027	Extension Height Bearing	1
6	111-104170	Handle Ratcheting	1
7	111-209140	Link Pivot Pin	1

### Main Screed Top Assembly

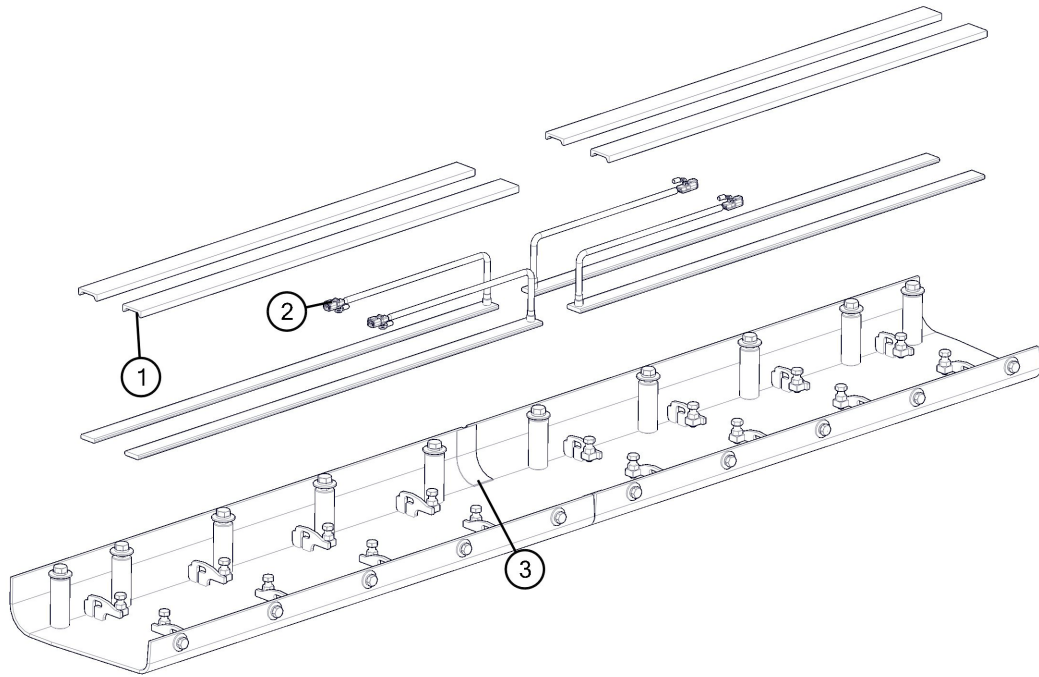




**Main Screed Top Assembly**

BOM ID	PART NUMBER	DESCRIPTION	Qty
1	112-209430	TOW ARM STABILIZER WELDEMENT	1
2	050-0415	3 HOSE CLAMP ASSEMBLY	2
3	050-0147A	SCREED CROWN RACHETJACK	2
4	112-200522	UPPER WALKBOARD	2
5	112-209302	MAIN SCREED COVER WELDEMENT, RIGHT	1
6	112-209303	MAIN SCREED COVER WELDEMENT, LEFT	1

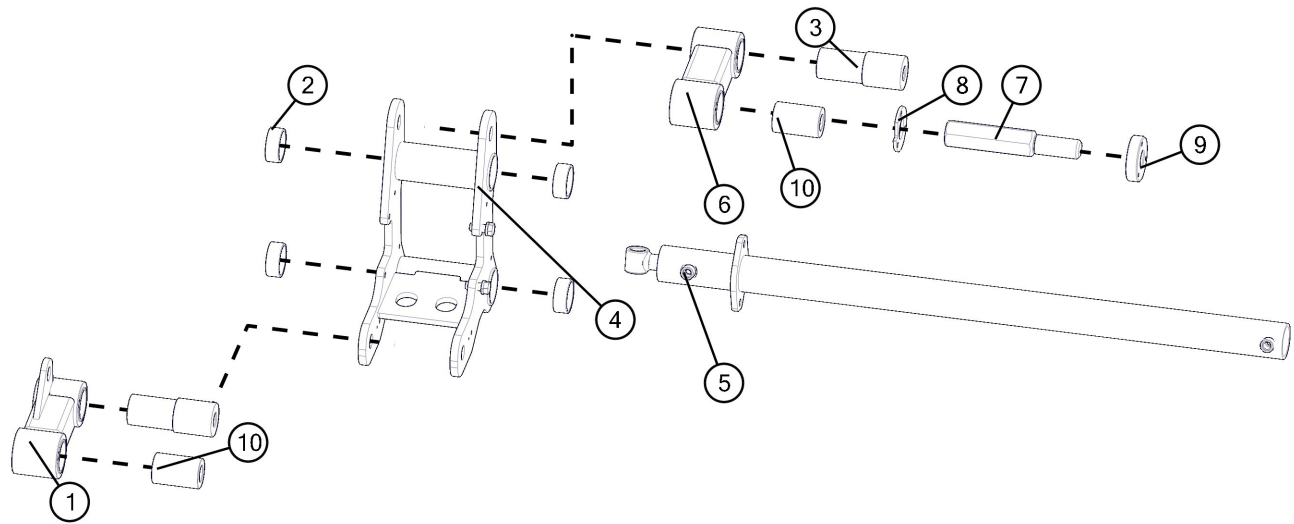
### Screed Bottom Assembly



### Screed Bottom Assembly

BOM ID	PART NUMBER	DESCRIPTION	Qty
1	113-309290	HEAT STRIP RETAINER	4
2	020-0547	HEAT ELEMENT	4
2.1	020-0548	SENSOR TEMPERATURE SCREED HEAT	1
3	112-209308	SCREED BOTTOM WELDEMENT, ELECTRIC HEAT	1

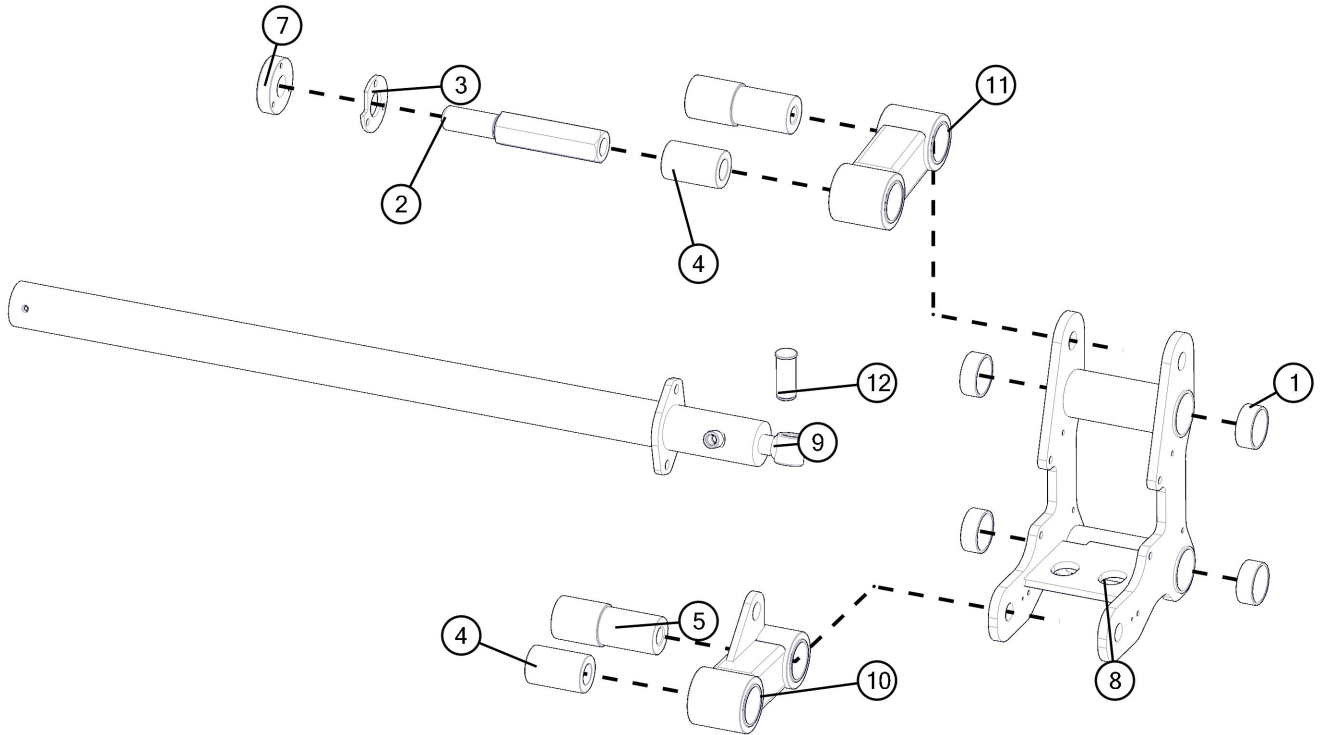
### LH Screed Sub Assembly



**LH Screed Sub Assembly**

BOM ID	PART NUMBER	DESCRIPTION	Qty
1	111-209140	EXTENSION PIVOT ASSEMBLY, LOWER	1
2	018-0098	COMPOSITE BUSHING	4
3	113-209152	PIVOT ROD	2
4	112-209012	LINK TOWER	1
5	012-0068	EXTENSION CYLINDER	1
6	111-209142	EXTENSION PIVOT ASSEMBLY, UPPER	1
7	113-209080	SLOPE EXTENSION ADJ ROD	1
8	113-209084	SLOPE ADJ RETAINER	1
9	113-209656	EXTENSION SLOPE ADJ NUT	1
10	113-209150	UPPER LINK PIVOT ROD	1
11	113-209528	PIN EXTENSION CYLINDER	1

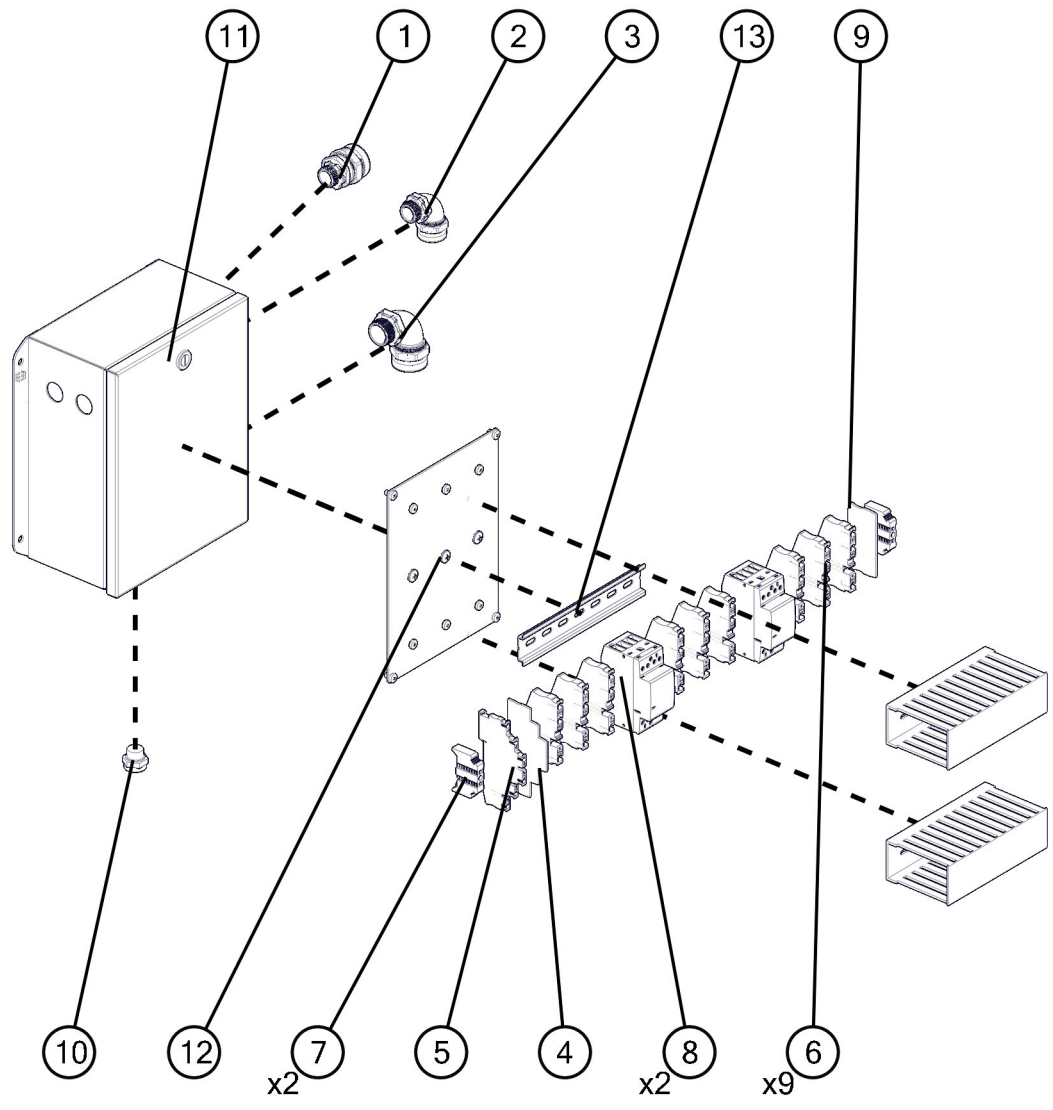
### RH Screed Sub Assembly



**RH Screed Sub Assembly**

BOM ID	PART NUMBER	DESCRIPTION	Qty
1	018-0098	COMPOSITE BUSHING	4
2	113-209080	TOWER ADJUSTMENT BOLT	1
3	113-209084	TOWER CONTROL NUT RETAINER	1
4	113-209150	PIVOT SPACER	1
5	113-209152	PIVOT ROD	2
7	113-209656	TOWER ADJUSTING NUT	1
8	112-209012	FREEDOM LINK TOWER	1
9	012-0068	CYLINDER EXTENSION	1
10	111-209140	EXTENSION PIVOT ASSEMBLY, LOWER	1
11	111-209142	EXTENSION PIVOT ASSEMBLY, UPPER	1
12	113-209528	EXTENSION CYLINDER PIN	1

### Screed Heat Control Box

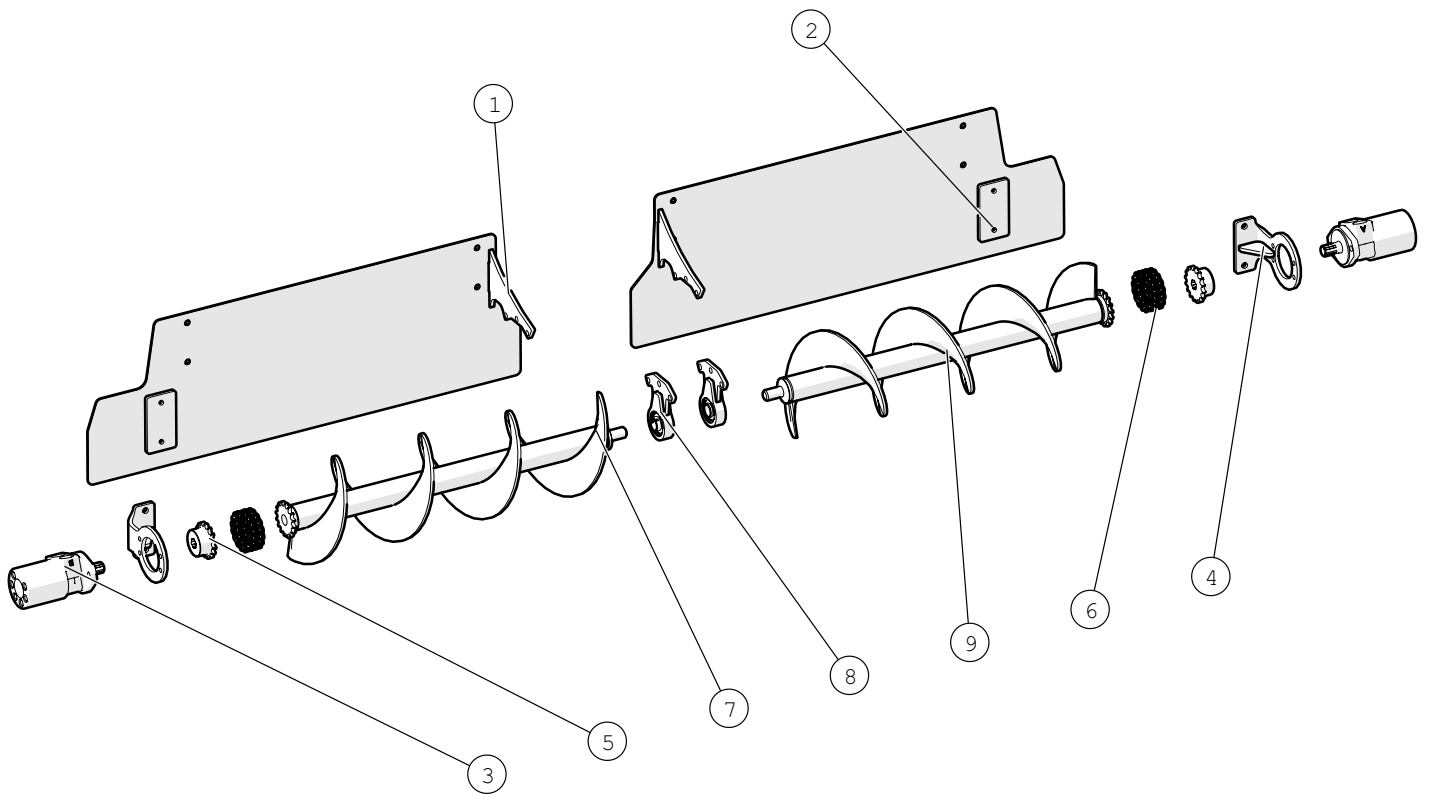




**Screed Heat Control Box**

BOM ID	Part Number	Description	Qty
1	020-0763	CORD GRIP, STRAIGHT, 1/2" CONDUIT	1
2	020-0764	CORD GRIP, 90 DEG, 1/2" CONDUIT	1
3	020-0766	CORD GRIP, 90 DEG, 3/4" CONDUIT	1
4	020-0999	END COVER	1
5	020-1000	TERMINAL BLOCK DIN RAIL GROUND	1
6	020-1002	TERMINAL FEED-THROUGH DIN RAIL	9
7	020-1004	END CLAMP DIN RAIL	2
8	020-1023	CONTACTOR 25 AMP 480VAC 4-POLE 12VDC CONTROL	2
9	020-1081	TERMINAL BLOCK END COVER	1
10	020-1102	VENT ENCLOSURE PLUG	1
11	020-209300	HEAT CONTACTOR ENCLOSURE	1
12	020-209301	SCREED HEAT PANEL	1
13	020-209302	DIN RAIL HEAT BOX	1
14	020-209303	DUCT WIRING	2

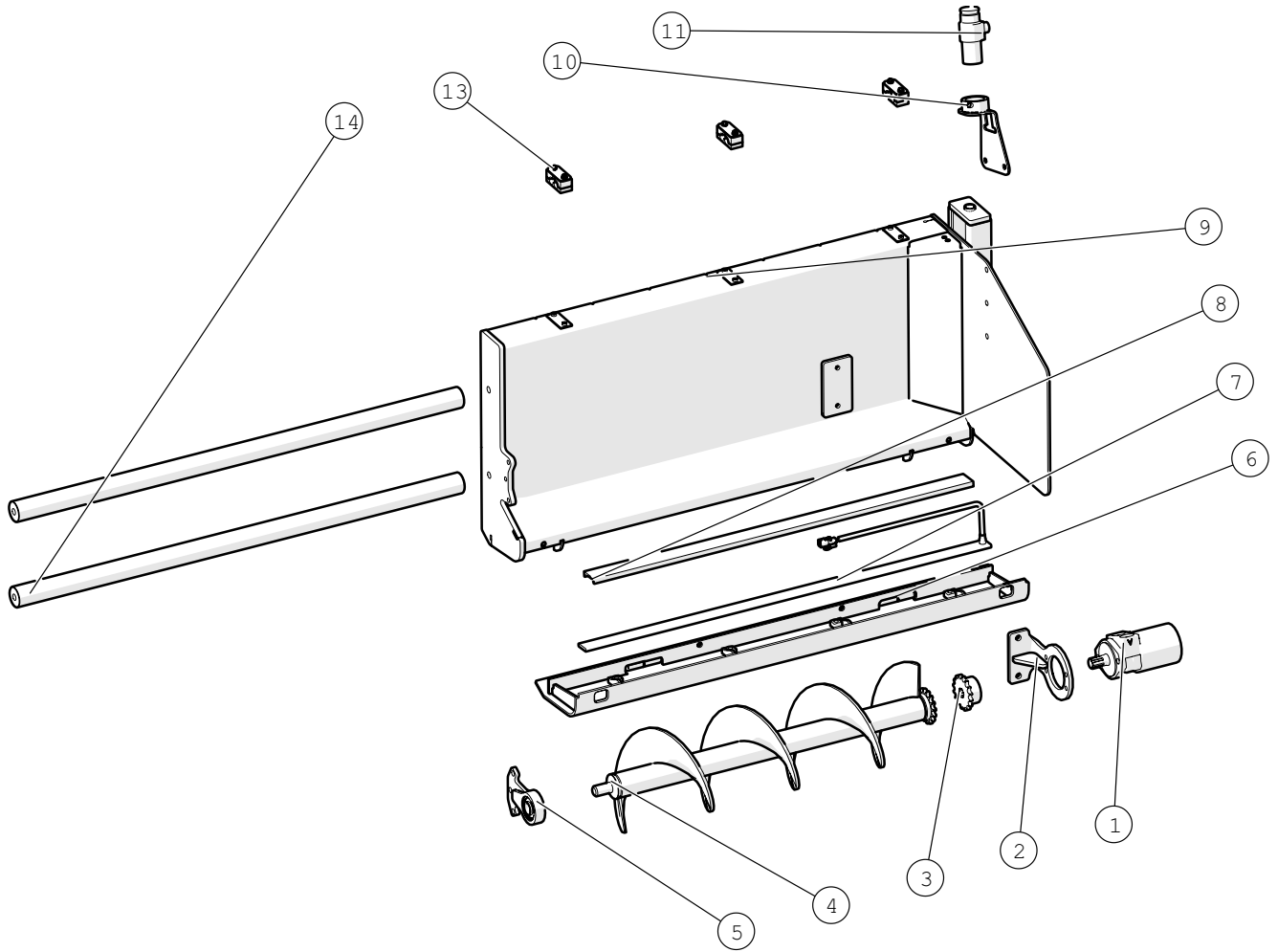
### Upper Auger Assembly



### Upper Auger Assembly

BOM ID	PART NUMBER	DESCRIPTION	Qty
1	112-200502	WELDEMENT UPPER AUGER RH	1
2	112-200503	WELDMENT UPPER AUGER LH	1
3	013-0096	MOTOR AUGER	2
4	112-200072	AUGER MOTOR BRACKET	2
5	015-0154	SPROCKET	2
6	015-0045	COUPLING CHAIN	2
7	112-200540	AUGER UPPER RH	1
8	112-302080	AUGER BEARING SUPPORT	2
9	112-200541	AUGER UPPER LH	1

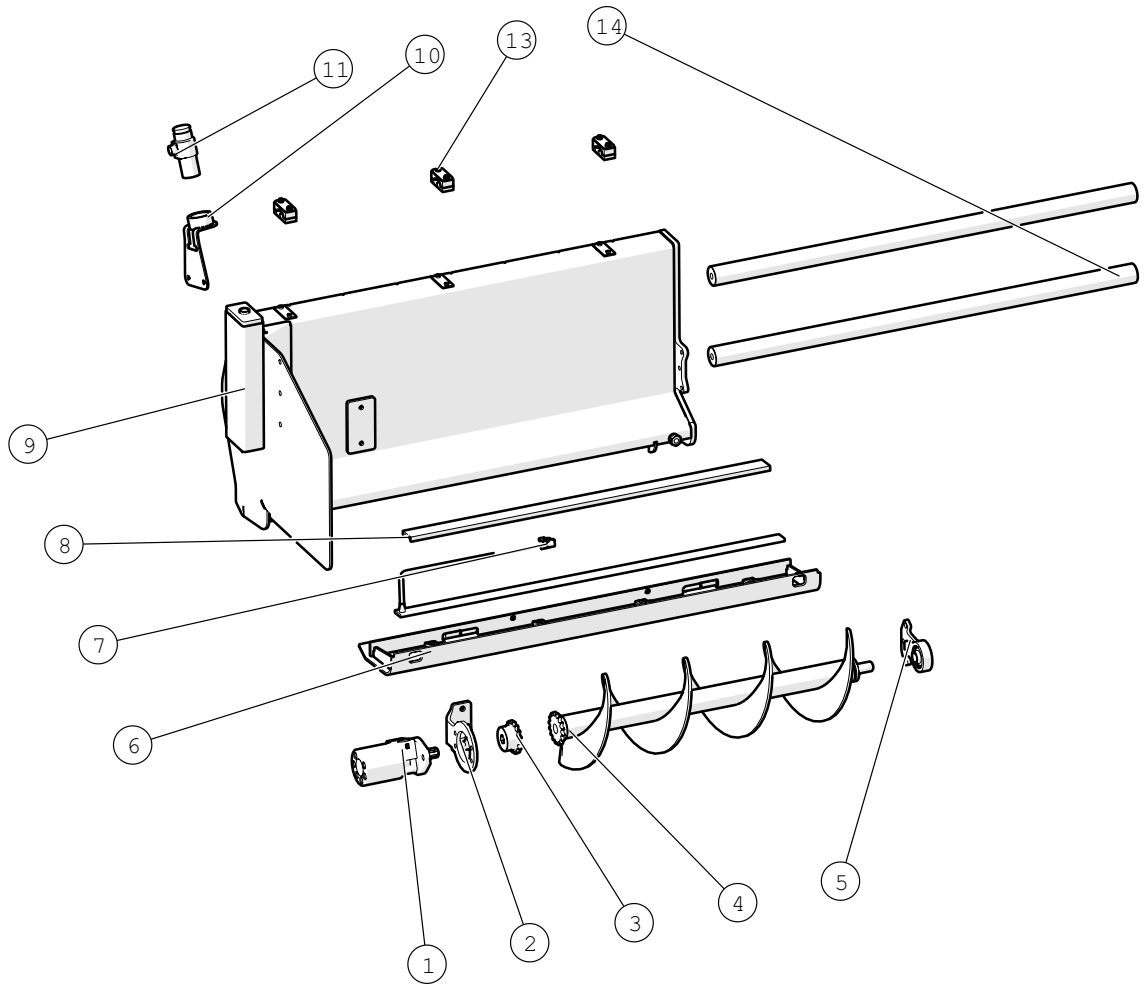
### Left Extension Assembly



**Left Extension Assembly**

BOM ID	PART NUMBER	DESCRIPTION	Qty
1	013-0096	MOTOR AUGER	1
2	112-200072	MOUNT AUGER MOTOR	1
3	015-0154	AUGER DRIVE MOTOR CHAIN COUPLING	1
4	092-0014	AUGER WELDEMENT, LEFT	1
5	112-302080	SUPPORT AUGER BEARING	1
6	112-209330	EXTENSION BOTTOM WELDEMENT, ELECTRIC HEAT	1
7	020-0213	ELECTRIC HEAT ELEMENT	1
7.1	020-0548	SENSOR TEMPERATURE SCREED HEAT	1
8	113-309290	HEAT ELEMENT RETAINER	1
9	112-209315	EXTENSION WELDEMENT, ELECTRIC HEAT, LEFT	1
10	112-200090	SONIC SENSOR MOUNT WELDEMENT, RIGHT	1
11	020-109473	AUGER SONIC SENSOR, LEFT	1
13	050-0415	3 HOSE CLAMP ASSEMBLY	3
14	113-209169	EXTENSION GUIDE ROD	2
(Not Shown)	050-0350	CABLE SONIC SENSOR	1

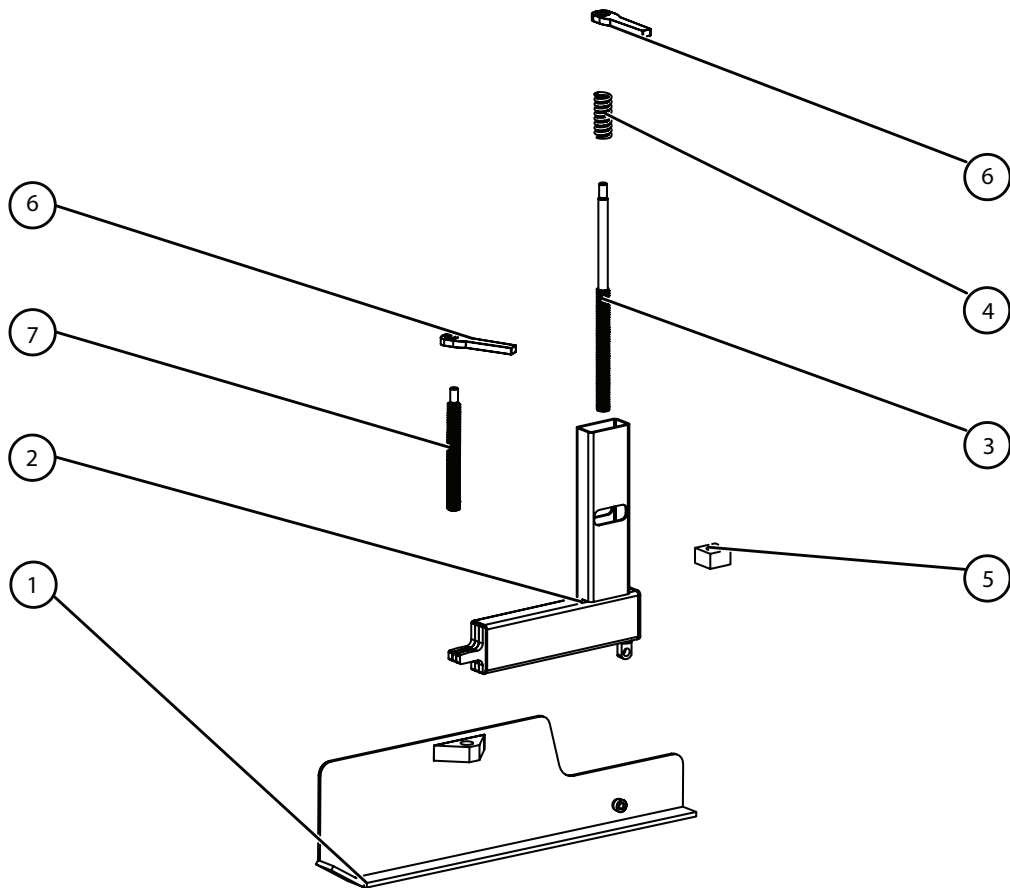
### Right Extension Assembly



**Right Extension Assembly**

BOM ID	PART NUMBER	DESCRIPTION	Qty
1	013-0096	MOTOR AUGER	1
2	112-200072	MOUNT AUGER MOTOR	1
3	015-0154	AUGER DRIVE MOTOR CHAIN COUPLING	1
4	092-0013	AUGER WELDEMENT, RIGHT	1
5	112-302080	SUPPORT AUGER BEARING	1
6	112-209330	EXTENSION WEAR PLATE	1
7	020-0213	ELECTRIC HEAT ELEMENT	1
7.1	020-0548	SENSOR TEMPERATURE SCREED HEAT	1
8	113-309290	HEAT STRIP RETAINER	1
9	112-209314	EXTENSION WELDEMENT, ELECTRIC HEAT, RIGHT	1
10	112-200090	SONIC SENSOR MOUNT WELDEMENT, RIGHT	1
11	020-109473	AUGER SONIC SENSOR, LEFT	1
13	050-0415	3 HOSE CLAMP ASSEMBLY	3
14	113-209169	EXTENSION GUIDE ROD	2
(Not Shown)	050-0350	CABLE SONIC SENSOR	1

### Left End Gate Assembly

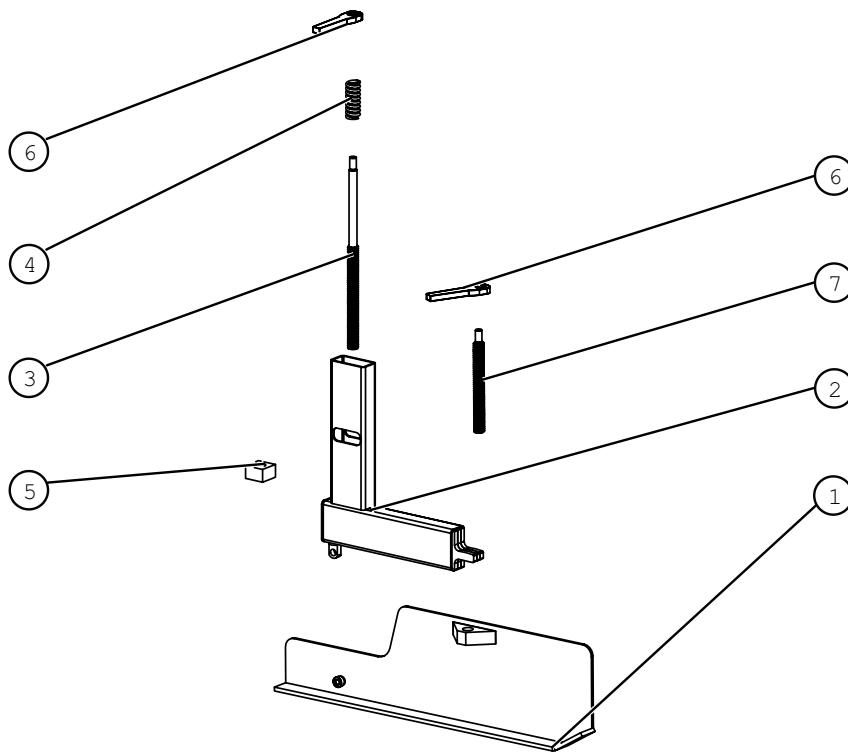




**Left End Gate Assembly**

BOM ID	Part Number	Description	Quantity
1	112-209461	End Gate Shoe LH	1
2	112-209450	End Gate Lower Weldment	1
3	112-302376	Threaded Rod End Gate Height	1
4	050-0342	Spring	1
5	113-209462	End Gate Adjustment Nut	1
6	111-104170	Handle Ratcheting	2
7	113-209468	Threaded Rod End Gate Pivot	1
8 (Not Shown)	111-209451	Complete Assembly Endgate LH	1

### Right End Gate Assembly

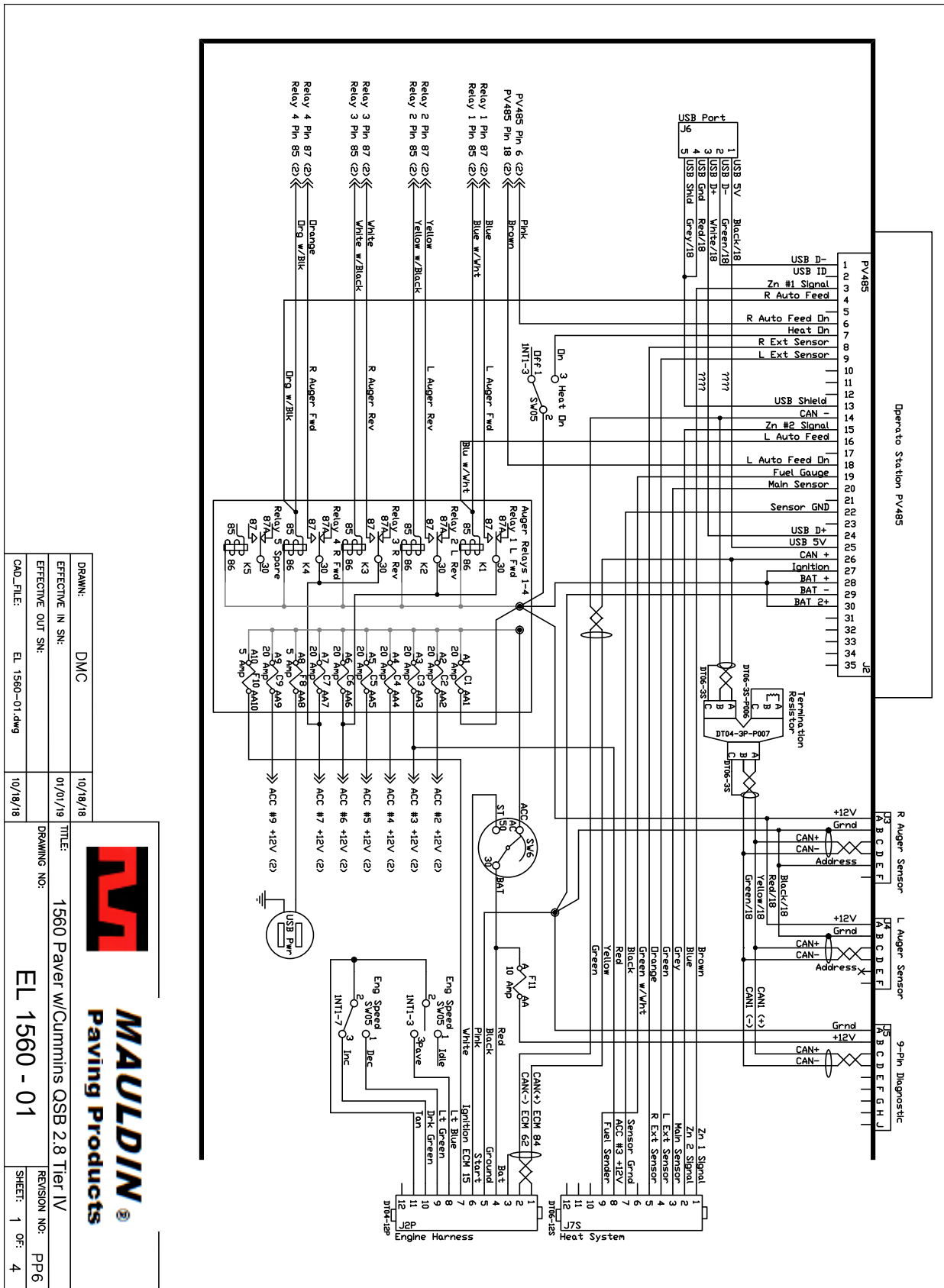


**Right End Gate Assembly**

BOM ID	Part Number	Description	Quantity
1	112-209460	End Gate Shoe RH	1
2	112-209450	End Gate Lower Weldment	1
3	112-302376	Threaded Rod End Gate Height	1
4	050-0342	Spring	1
5	113-209462	End Gate Adjustment Nut	1
6	111-104170	Handle Ratcheting	2
7	113-209468	Threaded Rod End Gate Pivot	1
8 (Not Shown)	111-209450	Complete Assembly Endgate RH	1

# Schematics

Electrical Schematic

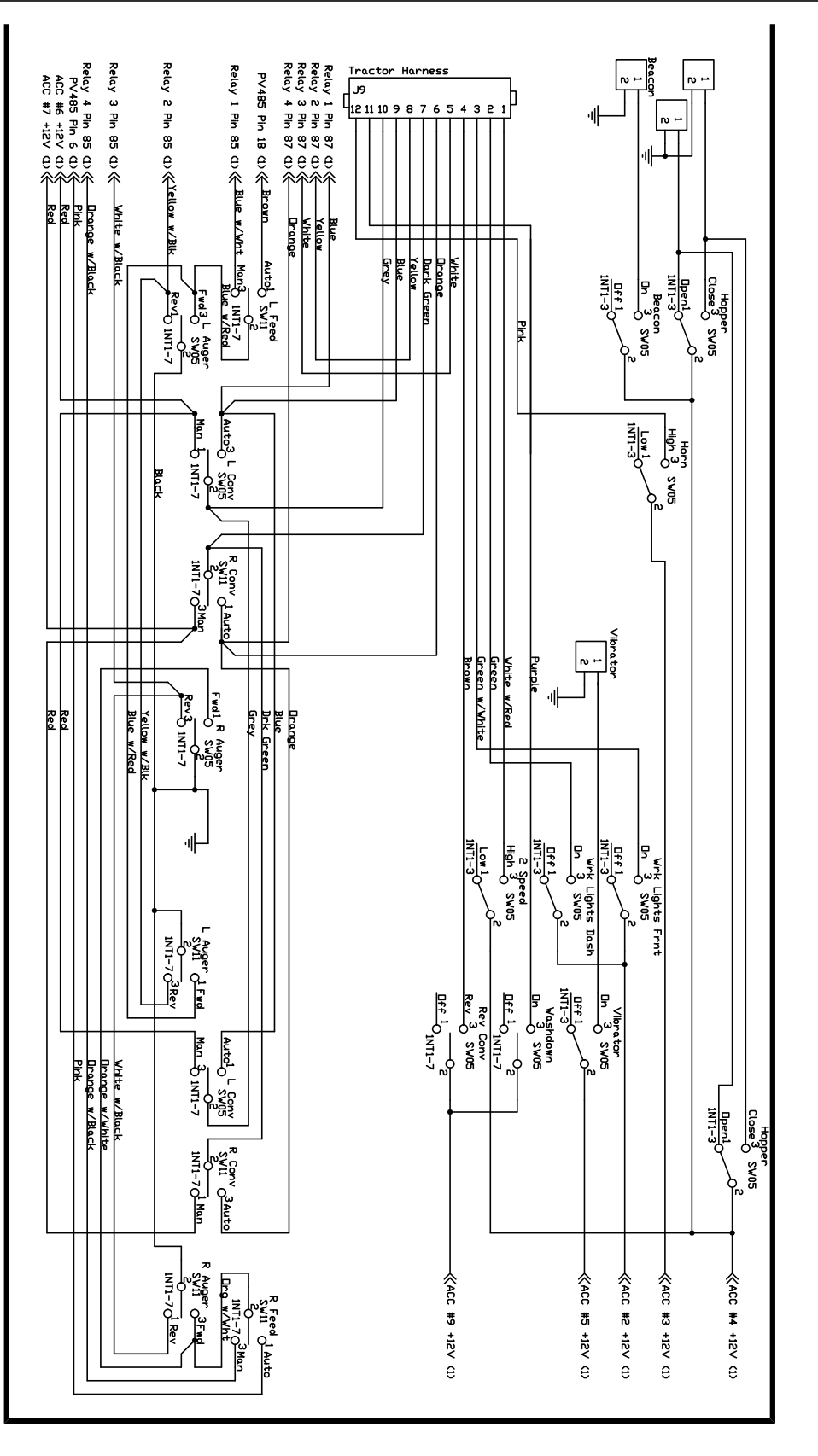


DRAWN:	DMC	10/19/18
EFFECTIVE IN SN:		01/01/19
EFFECTIVE OUT SN:		
CAD FILE:	EL 1560-01.dwg	10/19/18

**MAULDIN**  
Paving Products

1560 Paver w/Cummins QSB 2.8 Tier IV

DRAWING NO:	EL 1560 - 01
REVISION NO:	PP6
SHEET:	1 OF 4



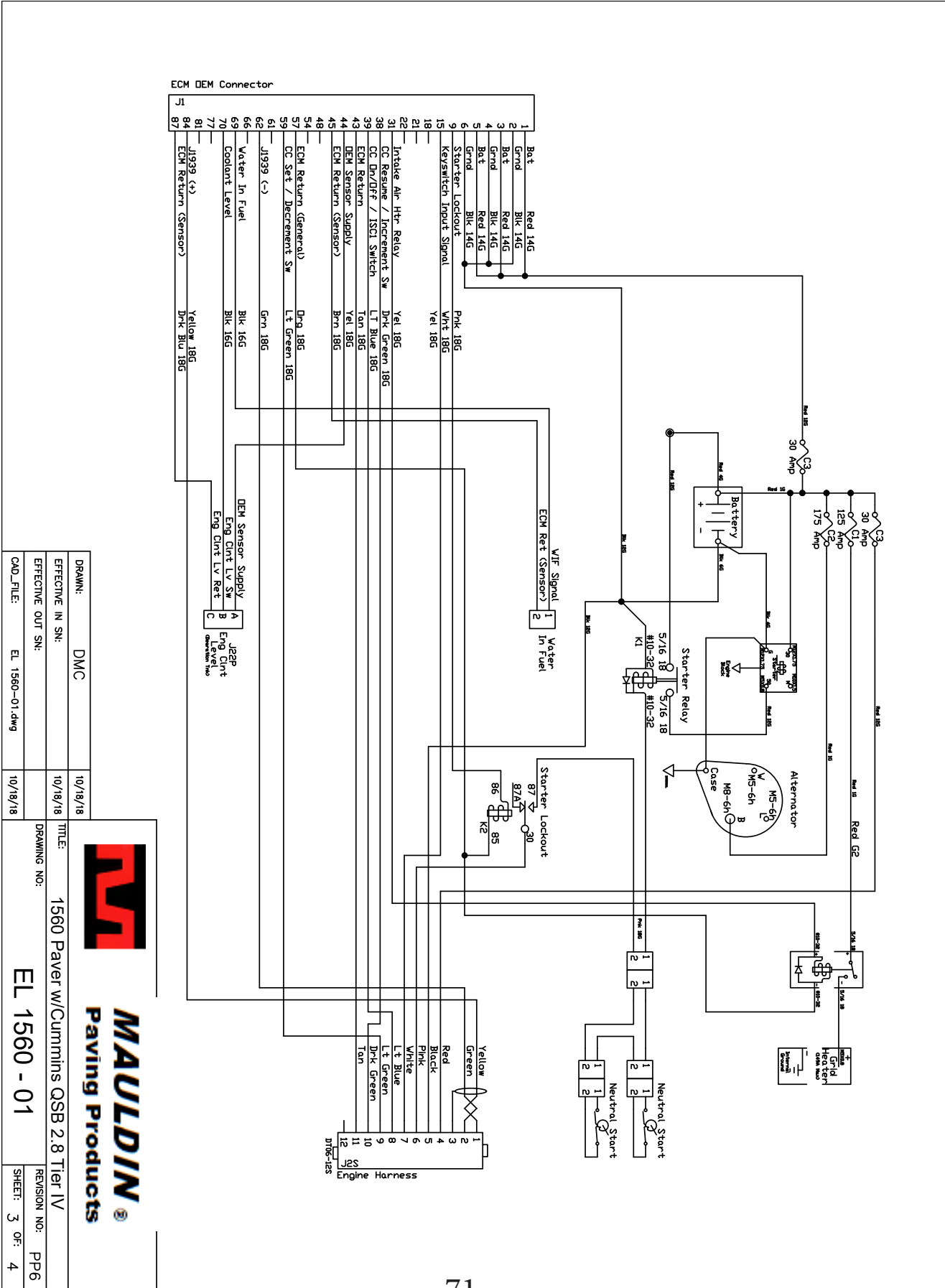
DRAWN:	DMC	10/18/18
EFFECTIVE IN SN:		10/18/18
EFFECTIVE OUT SN:		
CAD FILE:	EL_1560-01.dwg	10/18/18

**MAULDIN**  
Paving Products

TITLE: 1560 Paver w/Cummins QSB 2.8 Tier IV

DRAWING NO: EL 1560 - 01

REVISION NO:	PP6
SHEET:	2 OF 4

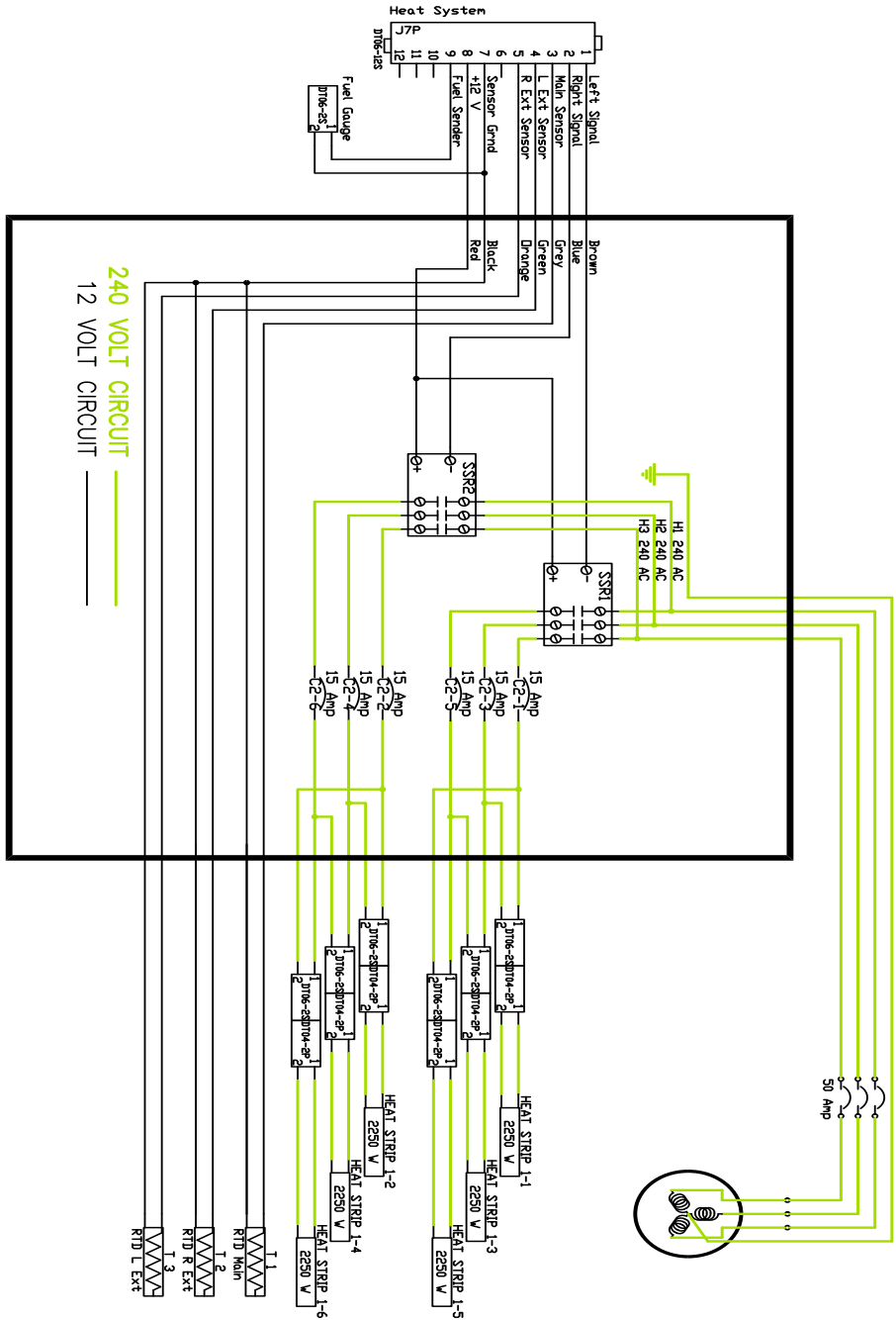


DRAWN:	DMC	10/18/18
EFFECTIVE IN SN:		10/18/18
EFFECTIVE OUT SN:		
CAD FILE:	EL 1560-01.dwg	10/18/18



**MAULDIN**  
Paving Products

TITLE:	1560 Paver w/Cummins QSB 2.8 Tier IV
DRAWING NO:	EL 1560 - 01
REVISION NO:	PP6
SHEET:	3 OF 4



DRAWN:	DMC	10/18/18
EFFECTIVE IN SN:		10/18/18
EFFECTIVE OUT SN:		
CAD FILE:	EL_1560-01.dwg	10/18/18

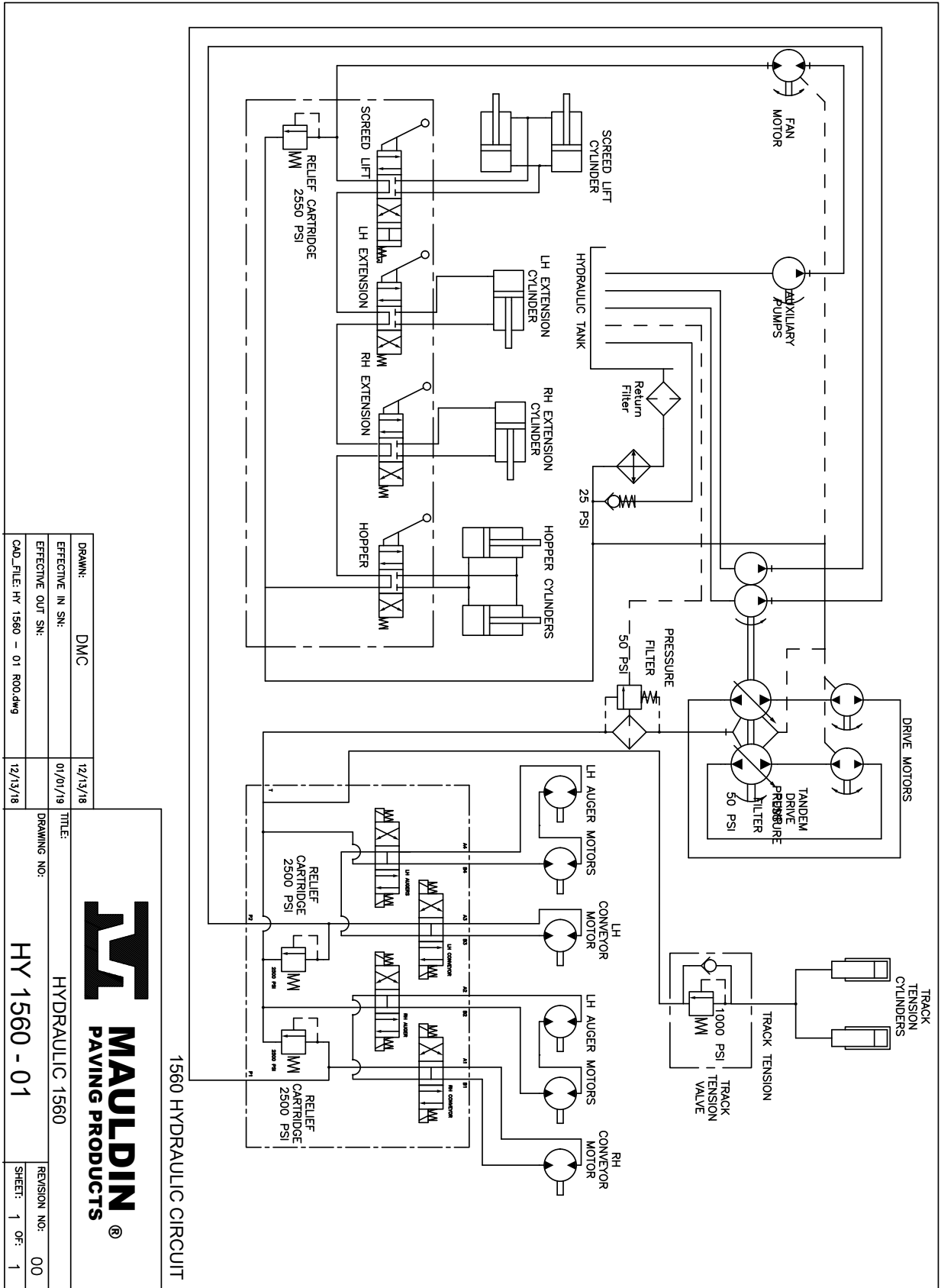



**MAULDIN**  
Paving Products

DRAWING NO:	TITLE:	REVISION NO:
EL 1560 - 01	1560 Paver w/Cummins QSB 2.8 Tier IV	PP6
		SHEET: 4 OF 4



Hydraulic Schematics



DRAWN: DMC	12/13/18	 <b>MAULDIN</b> PAVING PRODUCTS	REVISION NO: 00
EFFECTIVE IN SN: 01/01/19	01/01/19		TITLE: HYDRAULIC 1560
EFFECTIVE OUT SN:			DRAWING NO: HY 1560 - 01
CAD FILE: HY 1560 - 01 R00.dwg	12/13/18		SHEET: 1 OF: 1



**CALDER BROTHERS CORPORATION  
(LIMITED) PRODUCT WARRANTY**

Calder Brothers Corporation warrants that the Paver, Roller, Tank or Grader under this program will be free from defects in material and workmanship for a period of (12) twelve months from the date of installation. Written notice of any claimed defect must be given to Calder Brothers Corporation within the warranty period and within (30) thirty days after such defect is discovered. Liability under this warranty is limited to replacing or repairing at Calder Brothers Corporation election, any part or parts deemed defective after examination by Calder Brothers Corporation or an Authorized Service Representative via prepaid transportation for which is found to be defective, will be repaired or replaced and returned to the customer via prepaid surface transportation within the United States. Should any part be found not defective, inspection and handling may be charged to the customer by Mauldin or an Authorized Service Representative.

**EXCLUSIONS:**

This warranty does not apply to routine wearable parts of the Mauldin machine such as seals, points, plugs, hoses or similar items. This warranty does not extend to any machine or part replaced or repaired under this warranty. This warranty does not cover any repair or replacement labor or any part of parts found defective after examination by Mauldin or an Authorized Service Representative. This warranty does not apply to defects caused by casualty or unreasonable use, including faulty repairs by others and failure to provide reasonable and necessary maintenance.

THIS WARRANTY SET FORTH HEREIN IS IN LIEU OF AND EXCLUDES ANY AND ALL OTHER WARRANTIES, EXPRESSED OR IMPLIED, ARISING BY OPERATION OF LAW OR OTHERWISE, INCLUDING, BUT NOT LIMITED TO, ANY IMPLIED WARRANTY OF MERCHANTABILITY OR FITNESS FOR A PARTICULAR PURPOSE, AND CUSTOMER WAIVES ANY OBLIGATION OF LIABILITY OF MAULDIN ARISING IN TORT OR STRICT LIABILITY IN TORT, OR FOR LOSS OR USE, REVENUE OR PROFIT WITH RESPECT TO MAULDIN MACHINE AND/OR PARTS FOR ANY LIABILITY OF CUSTOMER TO ANY THIRD PARTY, OR FOR OTHER DIRECT, INCIDENTAL OR CONSEQUENTIAL DAMAGES.

**I have read and fully understand the warranty policy above.**

\_\_\_\_\_  
Customer  
CALDER BROTHERS CORPORATION

\_\_\_\_\_  
Witness