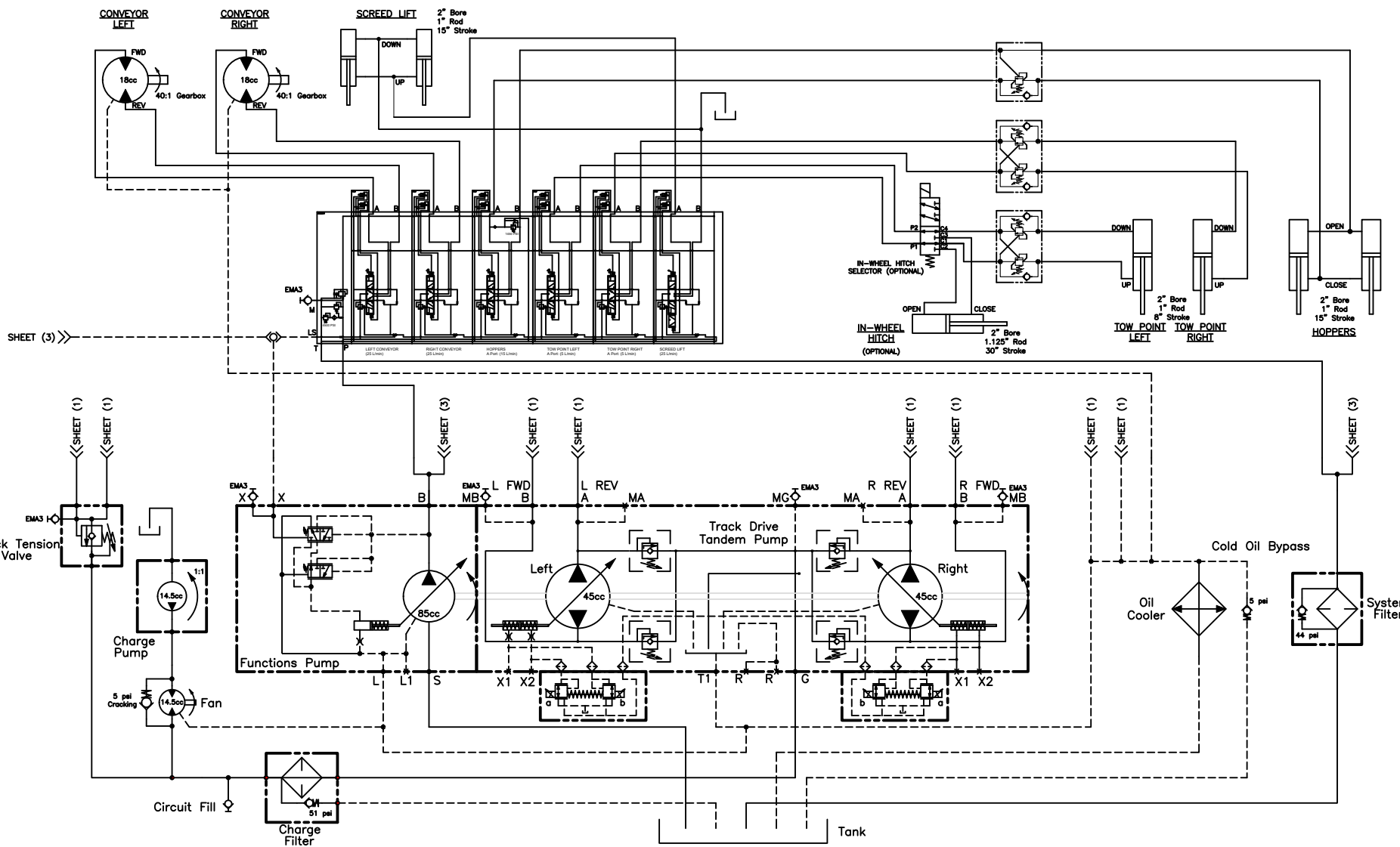


1860B TRACK DRIVE CIRCUIT



DRAWN:	CJF	02/17/2022
EFFECTIVE IN SN:	416-V-86TCX5Y2P00186	
EFFECTIVE OUT SN:		
CAD_FILE:	HY 1860B - 01.dwg	02/17/2022

TITLE:	HYDRAULIC 1860B	
DRAWING NO:	HY 1860B - 01	REVISION NO: A
		SHEET: 1 OF: 3

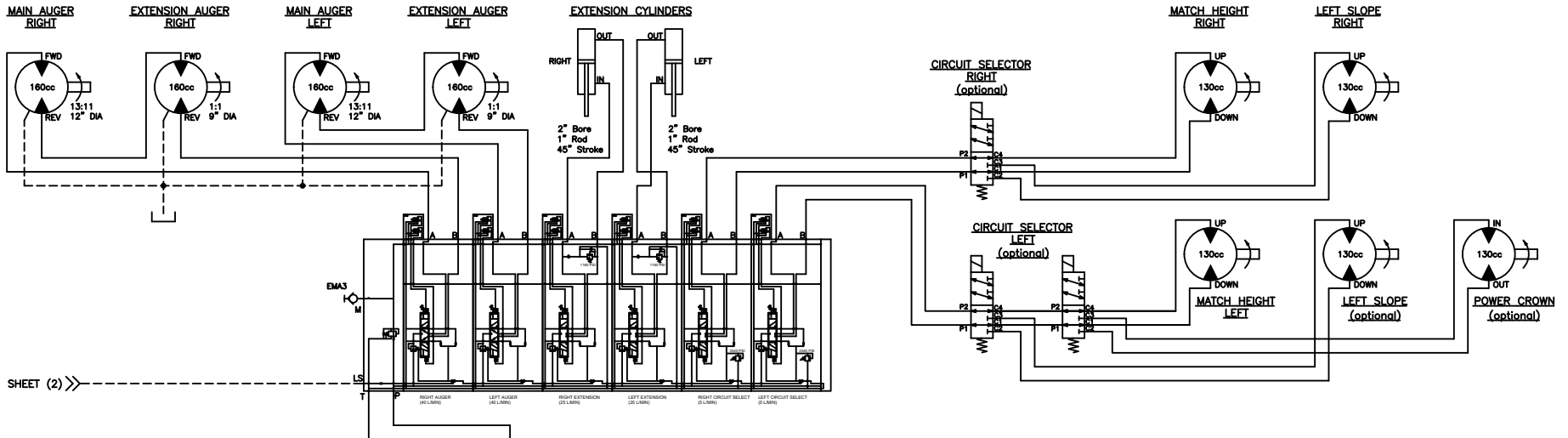


1860B TRACTOR CIRCUIT

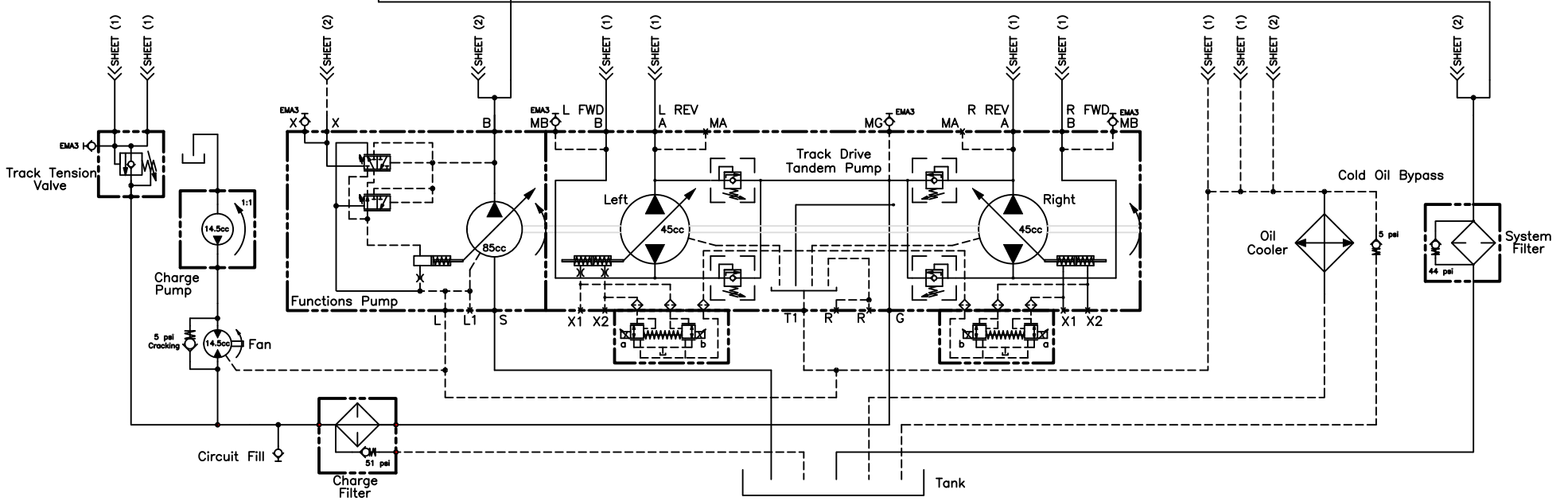


DRAWN:	CJF	02/17/2022
EFFECTIVE IN SN:	416-V-86TCX5Y2P00186	
EFFECTIVE OUT SN:		
CAD_FILE:	HY 1860B -01.dwg	02/17/2022

TITLE:	HYDRAULIC 1860B	
DRAWING NO:	HY 1860B - 01	REVISION NO: A
		SHEET: 2 OF: 3



SHEET (2) >>



1860B SCREED CIRCUIT



DRAWN:	CJF	02/17/2022
EFFECTIVE IN SN:		
EFFECTIVE OUT SN:		
CAD_FILE:	HY 1860B - 01.dwg	02/17/2022

TITLE:	HYDRAULIC 1860B	
DRAWING NO:	HY 1860B - 01	
REVISION NO:	A	
SHEET:	3 OF 3	